

Single Jet Water Meter

Product Codes

WM15SJ	15mm Single Jet Water Meter Cold
WM15SJH	15mm Single Jet Water Meter Hot
WM20SJ	20mm Single Jet Water Meter Cold
WM20SJH	20mm Single Jet Water Meter Hot

Operation

The water enters the meter from the inlet of the meter body and impacts the vane wheel at the tip of the vane blades to make it rotate. The rotation of the vane wheel (proportional to the velocity of water flow) is transmitted directly to the central gear in the vacuum-sealed register by the magnetic coupling. The sealed register totalizes and indicates the water volume passing through the meter.

Features

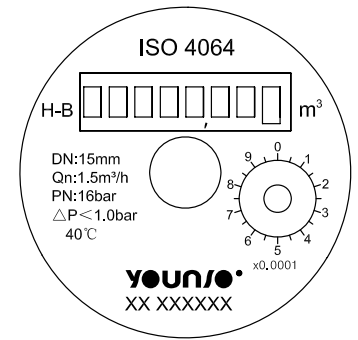
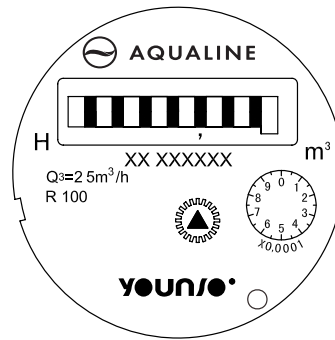
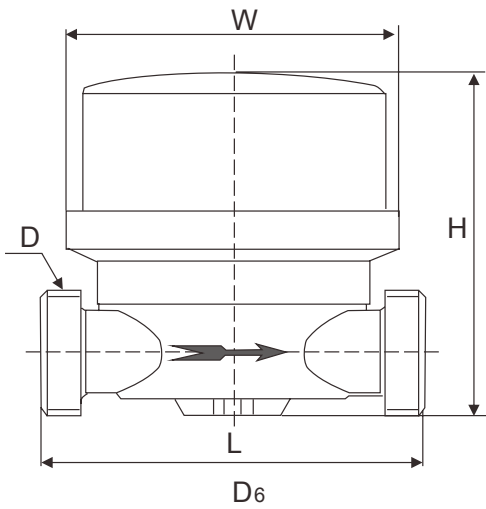
- Wet, dry or liquid sealed register optional
- For hot or cold water
- Small, light
- Brass body or plastic body, optional
- Brass body can be painted or nickel coated
- High accuracy
- Pulse Unit (Reed switch) for remote readout systems
- Standard 1 pulse per 1 litre
- For measuring consumption of individual apartments
- For horizontal and vertical installation
- ISO4064:1993 Class B/Class C
- ISO4064:2005 R80/R160

Working Conditions

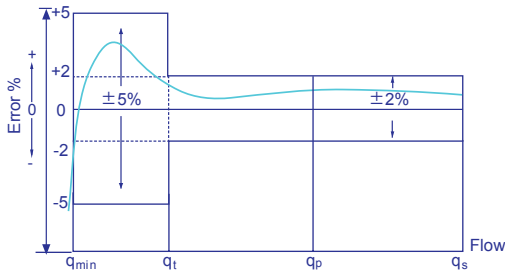
- Water temperature $\leq 50^{\circ}\text{C}$ (Hot water meter $\leq 90^{\circ}\text{C}$)
- Water pressure $\leq 1\text{MPa}$ (PN: 1.6Pa/16bar)
- $\Delta P \leq 0.1\text{ MPa}$
 $\Delta P \leq 0.063\text{MPa}$ (R80/R100)



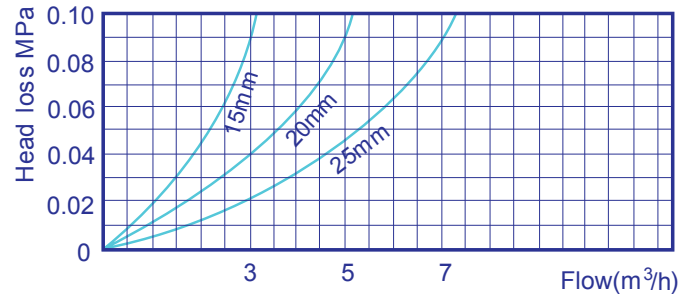
Technical Details



Error Curve



Headloss Curve



Nominal Size DN (mm)	Class of measurement	Overload flow-rate q _s (m ³ /h)	Permanent flow-rate q _p (m ³ /h)	Transitional flow-rate q _t (l/h)	Minimum flow-rate q _{min} (l/h)
15	B	3	1.5	120	30
20	B	5	2.5	200	50

Overall Dimensions and Weight

Product Code	Size (mm)	Length (mm) L	Width (mm) W	Height (mm) H	Connecting Thread D	Weight (kg)
WM15SJ	15	80/110	70	72.5	G ³ / ₄ "B	0.37
WM20SJ	20	130	70	72.5	G 1"B	0.53