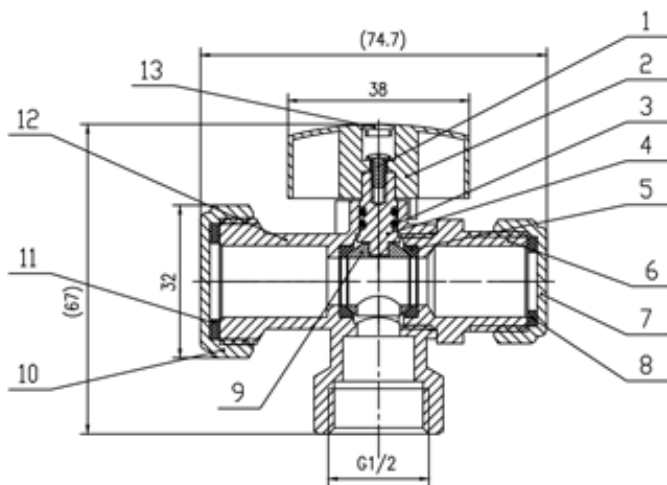


Unitap Under Bench Isolator Female

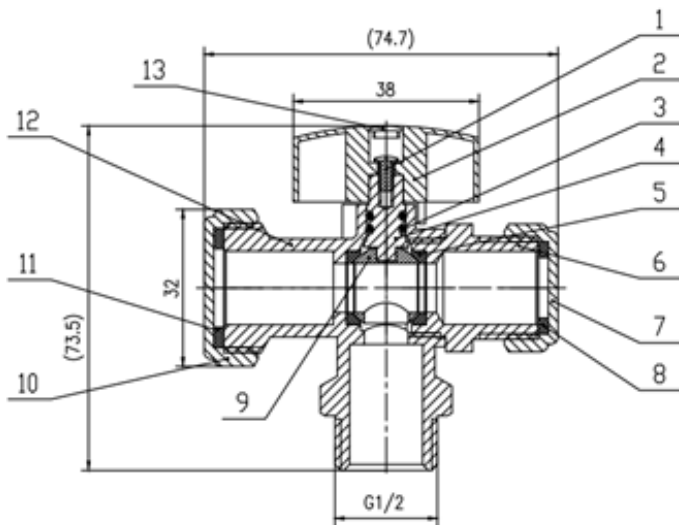
- For Installation of Undersink Multiple Appliance
- Material: CW617N
- Working Pressure: 1000 kpa
- Working Temperature: 0 - 90 °C
- Working Media: Water



No	Component	Material
1	Screw	Stainless Steel
2	Lever	ZINC ALLOY
3	O Ring	NBR
4	Stem	CW617N
5	Seat	PTFE
6	Seat Retainer	CW617N
7	Nut	EPDM
8	Gasket	Silicon Rubber
9	Ball	CW617N
10	Nut	CW617N
11	Gasket	Silicon Rubber
12	Body	CW617N
13	Decorative heads	ABS

Unitap Under Bench Isolator Male

- For Installation of Undersink Multiple Appliance
- Material: CW617N
- Working Pressure: 1000 kpa
- Working Temperature: 0 - 90 °C
- Working Media: Water



No	Component	Material
1	Screw	Stainless Steel
2	Lever	ZINC ALLOY
3	O Ring	NBR
4	Stem	CW617N
5	Seat	PTFE
6	Seat Retainer	CW617N
7	Nut	EPDM
8	Gasket	Silicon Rubber
9	Ball	CW617N
10	Nut	CW617N
11	Gasket	Silicon Rubber
12	Body	CW617N
13	Decorative heads	ABS