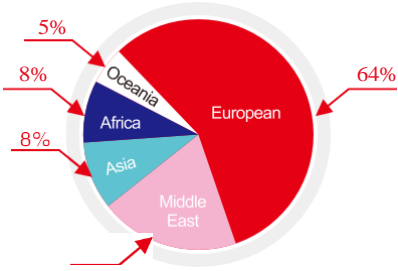


## MRIN, MRQ and MRZ Munzing Rings

<b>Company Name</b>	Cixi Mingzhan Industrial & Commercial Co. Ltd
<b>Factory Area</b>	Our factory covers an area of 7000 square meters of land, with a construction area of 14000 square meters.
<b>the Main Production</b>	different kinds of pipe clamp and hanging system, hand-tool sets, HVAC accessories. All of pipe clamps have more 6 microns electro-galvanized coating to protect against corrosion.
<b>Main Exported Countries</b>	
	Europe: Germany, Britain, Spain, Russia, Ukraine, Romania, Poland and Hungary, etc
	Middle East: Dubai, Saudi Arabia, Kuwait, etc
	Africa: Egypt, South Africa, etc
	Asia: Turkey, Singapore, Israel, Kazakhstan, Hong Kong, etc
	Oceania: New Zealand, etc
<b>Daily Production</b>	60,000-80,000 sets
Annual Value of Production	USD3,000,000
<b>Trademark</b>	Kingfix
Address	<a href="http://www.kingfix.cn">http://www.kingfix.cn</a>
Website	Chongshou Industry Zone, Cixi City, Ningbo, China



## RUBBER TEST REPORT

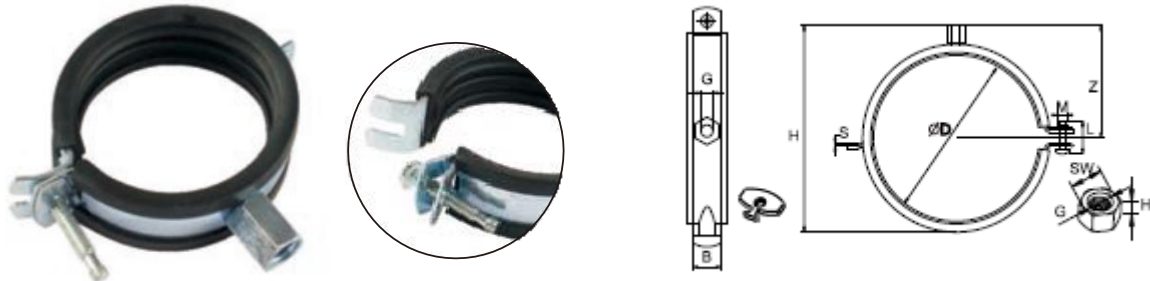
Material: new EPDM (not recycled EPDM)

PHYSICAL AND MECHANICAL PROPERTIES	CRITERION	RESULT
<b>HARDNESS (SHORE A)</b>	65+-3	66
<b>TENSILE STRENGTH(MPA)</b>		6.5
<b>ELONGATION AT BREAK (%)</b>	;;,350	370
<b>ELONGATION DISTORTION</b>	;;,30	29
<b>BEARING TEMPERATURE</b>	-40°C to 110°C	



# AQUALINE

## MRQ Pipe Clamp with Rubber



### Specifications:

- Material: Steel and EPDM Rubber
- Surface: Zinc plated, Galvanised

### Application:

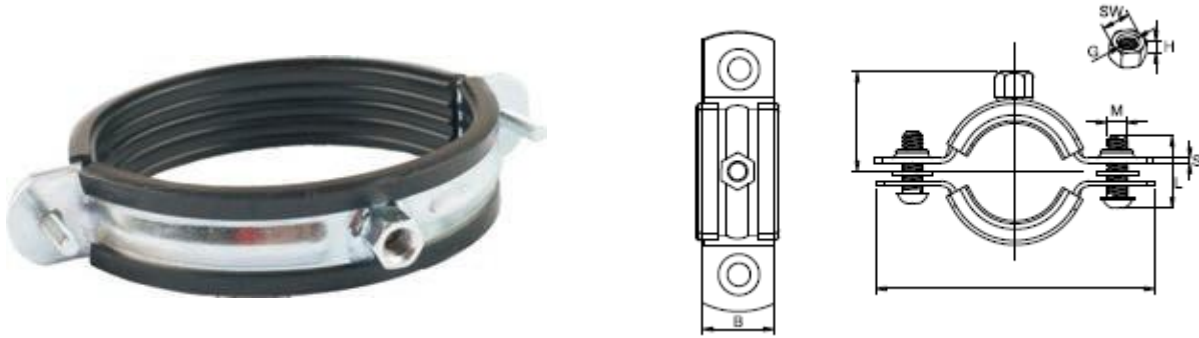
- used for mounting of pipes to the walls(vertical/horizontal), ceilings and floors.
- for suspending stationary non-insulated copper tubing lines.
- being fasteners for pipe lines. Such as, heating, sanitary and wastewater pipes, to walls, ceilings, and floors.
- side screws are protected against loss during assemble with the help of plastic washers

SIZE	RANGE (cpD) (mm)	STEEL SIZE(S*B)	SCREW SIZE(M*L)	NUT SIZE(G)
3/8"	15-19	1.5*20	M5*25	M8+10
1/2"	20-25	1.5*20	M5*25	M8+10
3/4"	26-30	1.5*20	M5*25	M8+10
1"	32-36	1.5*20	M5*25	M8+10
1-1/4"	38-43	1.5*20	M5*25	M8+10
1-1/2"	47-51	1.5*20	M5*25	M8+10
2"	60-64	1.5*20	M5*30	M8+10
2-1/2"	75-80	1.5*20	M5*30	M8+10



# AQUALINE

## MRIN Pipe Clamp with Rubber



### Specifications:

- Material: Steel and EPDM Rubber
- Surface: Zinc plated, Galvanised
- welding: argon arc welding

### Application:

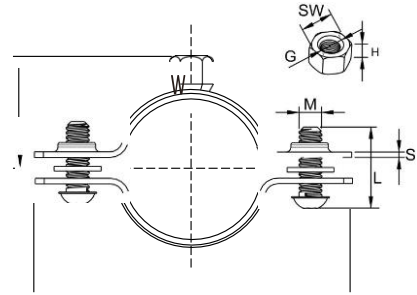
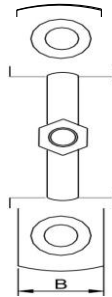
- used for mounting of pipes to the walls(vertical/horizontal), ceilings and floors.
- for suspending stationary non-insulated copper tubing lines.
- being fasteners for pipe lines, such as, heating, sanitary and wastewater pipes, to walls, ceilings, and floors.
- side screws are protected against loss during assemble with the help of plastic washers.

SIZE (mm)	RANGE((j)D) (mm)	STEEL SIZE(S*B)	SCREW SIZE(M*L)
3/8"	15-19	2.0*25	M6*20
1/2"	20-25	2.0*25	M6*20
3/4"	26-30	2.0*25	M6*20
1"	32-36	2.0*25	M6*20
1-1/4"	38-43	2.0*25	M6*20
1-1/2"	47-51	2.0*25	M6*20
	53-58	2.0*25	M6*20
2"	60-64	2.5*25	M8*25
	68-72	2.5*25	M8*25
2-1/2"	75-80	2.5*25	M8*25
	81-86	2.5*25	M8*25
3"	87-92	2.5*25	M8*25
3-1/2"	99-105	2.5*25	M8*25
	107-112	2.5*25	M8*25
4"	113-118	2.5*25	M8*25
	125-130	2.5*25	M8*30
5"	138-142	2.5*25	M8*30
6"	159-166	2.5*25	M8*30
8"	215-220	2.5*25	M8*30



# AQUALINE

## MRZ Pipe Clamp Without Rubber



### Specifications:

- Material: steel
- Surface: zinc plated, galvanized

### Application:

- used for mounting of pipes to the walls(vertical/horizontal), ceilings and floors.
- for suspending stationary non-insulated copper tubing lines.
- being fasteners for pipelines, such as, heating, sanitary and wastewater pipes, to walls, ceilings, and floors.
- side screws are protected against loss during assemble with the help of plastic washers.

SIZE (mm)	RANGE(q)D (mm)	STEEL SIZE(S*8)	SCREW SIZE(M*L)
3/8"	15-19	2.0*25	M6*20
1/2"	20-25	2.0*25	M6*20
3/4"	26-30	2.0*25	M6*20
1"	32-36	2.0*25	M6*20
1-1/4"	38-43	2.0*25	M6*20
1-1/2"	47-51	2.0*25	M6*20
	53-58	2.0*25	M6*20
2"	60-64	2.5*25	M8*25
	68-72	2.5*25	M8*25
2-1/2"	75-80	2.5*25	M8*25
	81-86	2.5*25	M8*25
3"	87-92	2.5*25	M8*25
3-1/2"	99-105	2.5*25	M8*25
	107-112	2.5*25	M8*25
4"	113-118	2.5*25	M8*25
	125-130	2.5*25	M8*30
5"	138-142	2.5*25	M8*30
6"	159-166	2.5*25	M8*30
8"	215-220	2.5*25	M8*30

Aqualine Trading Limited

7 Winston Place, Henderson Auckland 0654

21 Lock Crescent, Hillsborough, Christchurch 8022

PH: 0800 889 914 Email: [orders@aqualine.co.nz](mailto:orders@aqualine.co.nz) [www.aqualine.co.nz](http://www.aqualine.co.nz)