

# Multi Jet Water Meter

## Product Codes

WM25MJ	Multijet Water Meter 25mm Hot or Cold
WM25MJC	Multijet Water Meter 25mm Cold
WM32MJ	Multijet Water Meter 32mm Hot or Cold
WM40MJ	Multijet Water Meter 40mm Hot or Cold
WM50MJ	Multijet Water Meter 50mm Hot or Cold

## Operation

The water enters the meter from the inlet of the meter body and impacts the vane wheel at the tip of the vane blades to make it rotate. The water flows out from the outlet of the body. The rotation of the vane wheel (proportional to the velocity of water flow) is transmitted directly to the central gear in the vacuum-sealed register by the magnetic coupling. The sealed register totalizes and indicates the water volume passing through the meter.

## Features

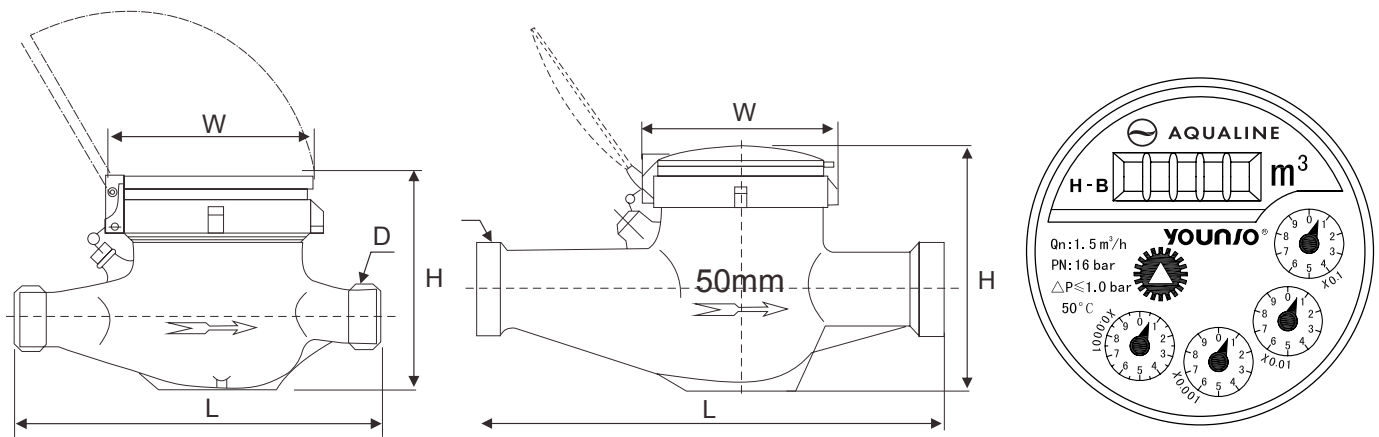
- Wet, dry or liquid sealed
- For hot or cold water
- Small, light
- Brass body or plastic body, optional
- Brass body can be painted or nickel coated
- High accuracy
- Pulse Unit (Reed switch) for remote readout systems
- ISO4064:1993 Class B/Class C
- ISO4064:2005 R80/R160

## Working Conditions

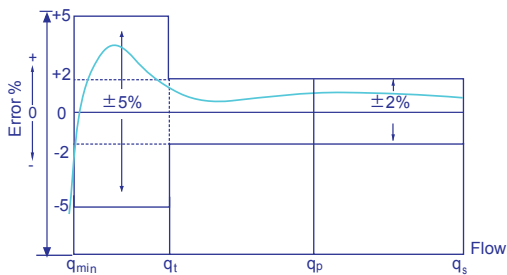
- Water temperature 90°C
- Water pressure <1MPa  
(PN: 1.6MPa/16bar)
- $\Delta P \leq 0.1$  MPa(Class B/Class C)  
 $\Delta P \leq 0.063$ MPa(R80/R100/R160)



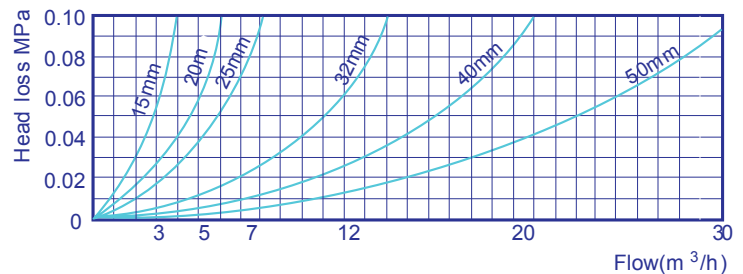
# Technical Details



## Error Curve



## Headloss Curve



LXSY-15E/B~50W (Class C)      LXSG(R)-15E/S~40E/S  
 LXSG(R)-15E<sub>1</sub>~50E<sub>1</sub>      LXSF(R)-15E/F~50E/F  
 LXSG(R)-15E<sub>5</sub>~40E<sub>5</sub>      LXSF(R)-15E<sub>5</sub>/F~20E<sub>5</sub>/F  
 LXSG(R)-15E<sub>7</sub>~50E<sub>7</sub>

Nominal Size DN (mm)	Class of measurement	Overload flow-rate q <sub>s</sub> (m <sup>3</sup> /h)	Permanent flow-rate q <sub>p</sub> (m <sup>3</sup> /h)	Transitional flow-rate q <sub>t</sub> (l/h)	Minimum flow-rate q <sub>min</sub> (l/h)
25	B	7	3.5	280	70
32	B	12	6.0	480	120
40	B	20	10	800	200
50	B	30	15	3000	400

## Overall Dimensions and Weight

Product Code	Size (mm)	Length (mm) L	Width (mm) W	Height (mm) H	Connecting Thread D	Weight (kg)
WM25MJ	25	225/260	104	120	G1/4" B	2.4
WM32MJ	32	230/260	104	120	G1/2" B	2.8
WM40MJ	40	245/300	120	150	G2" B	5.1
WM50MJ	50	280/300	120	150	G2 1/2" B	7.2