

DEKS INDUSTRIES  
5/841 Mountain Highway  
Bayswater  
Victoria 3153  
www.deks.com.au



## Technical Documents

**1: Drawings 6007 & 6007G**

**2: Drawing 6034**

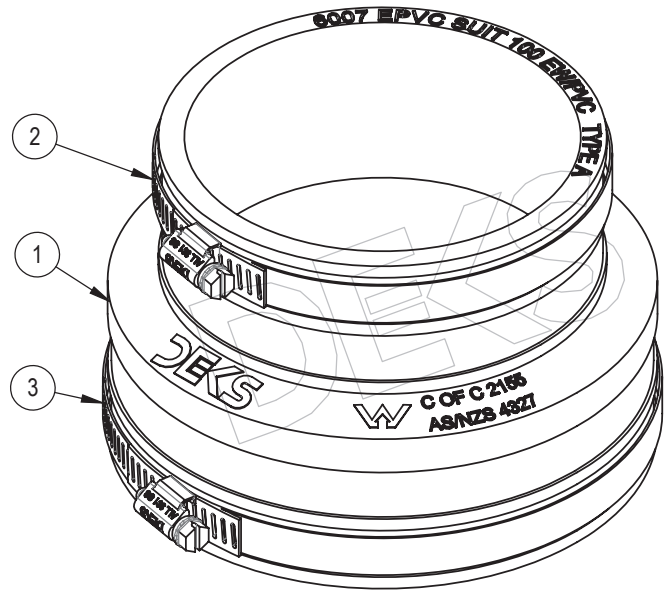
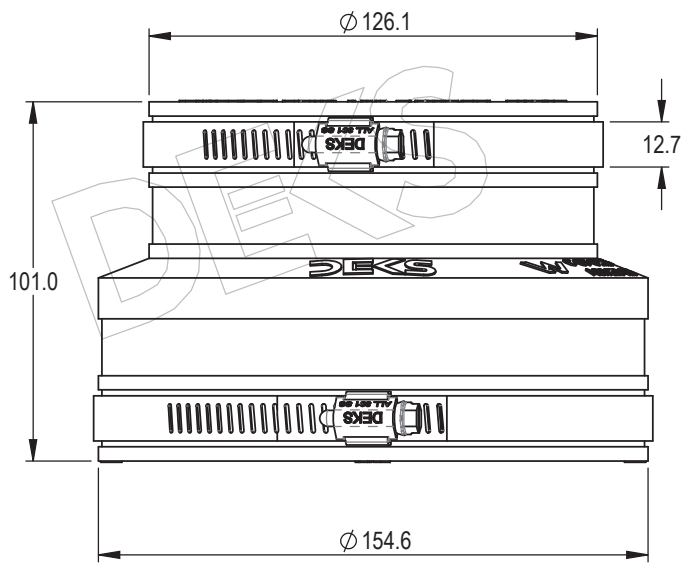
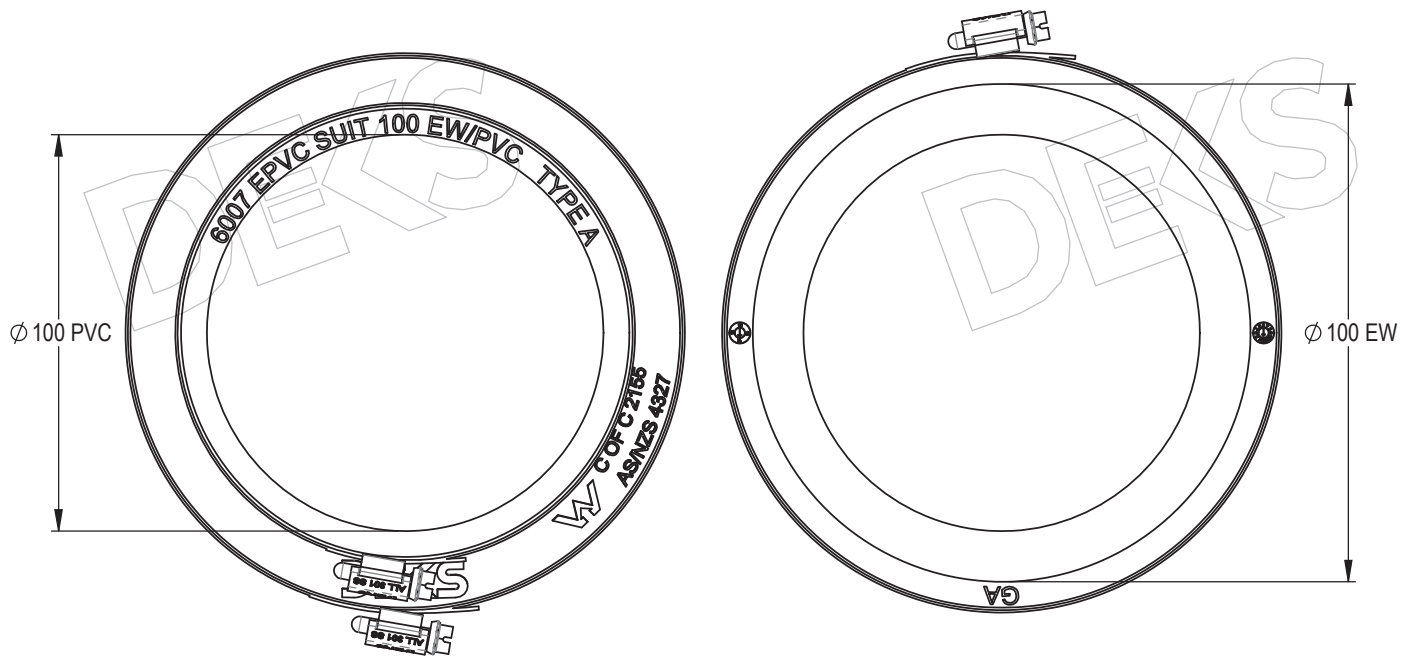
**3: Drawing 6011**

**4: Drawing 6042**

**5: Watermark Certificate**

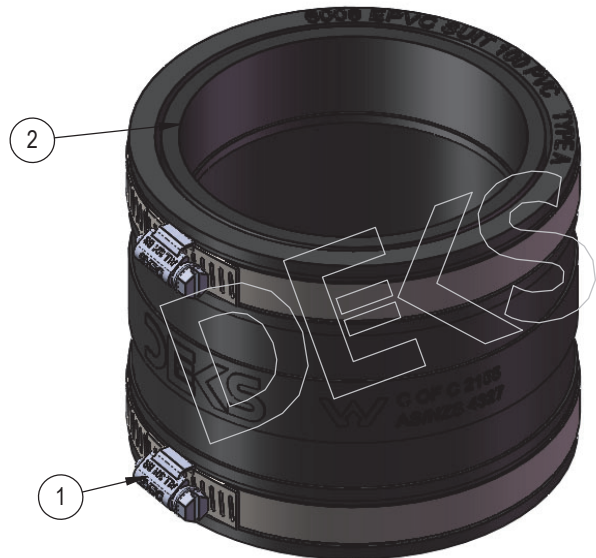
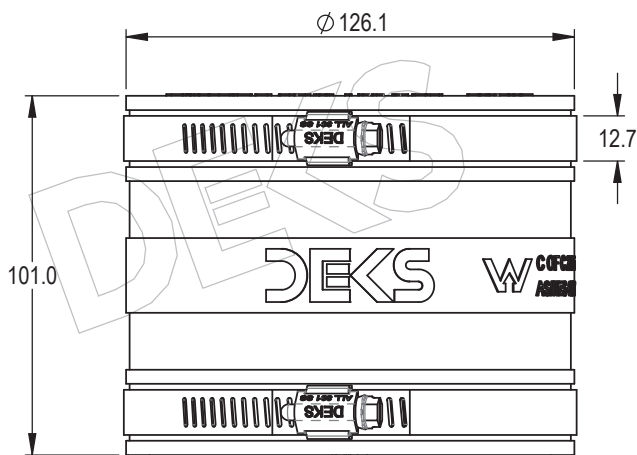
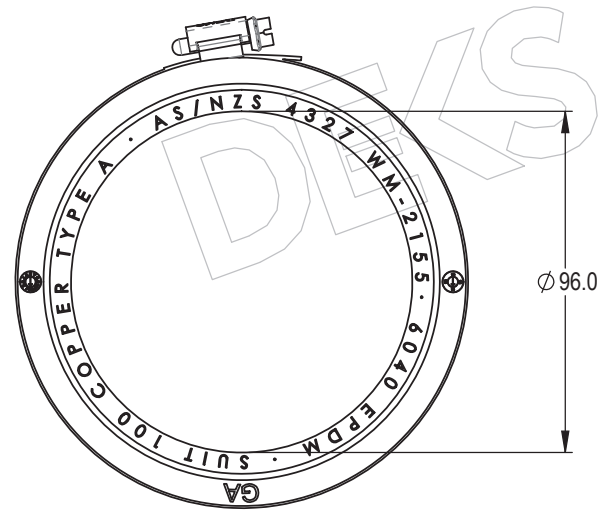
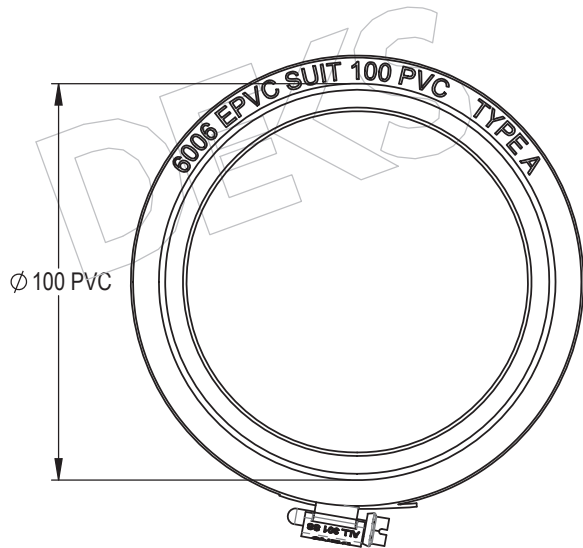
*Follow  
Us On*





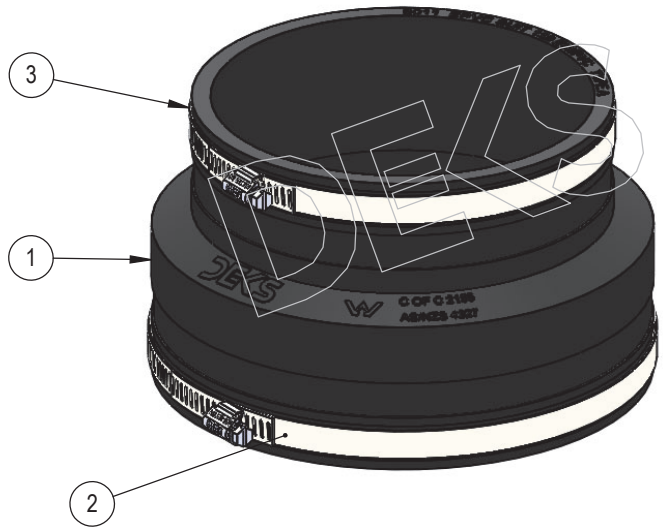
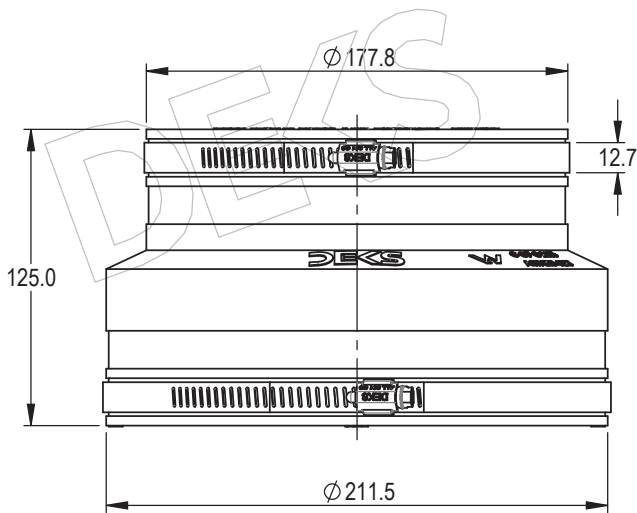
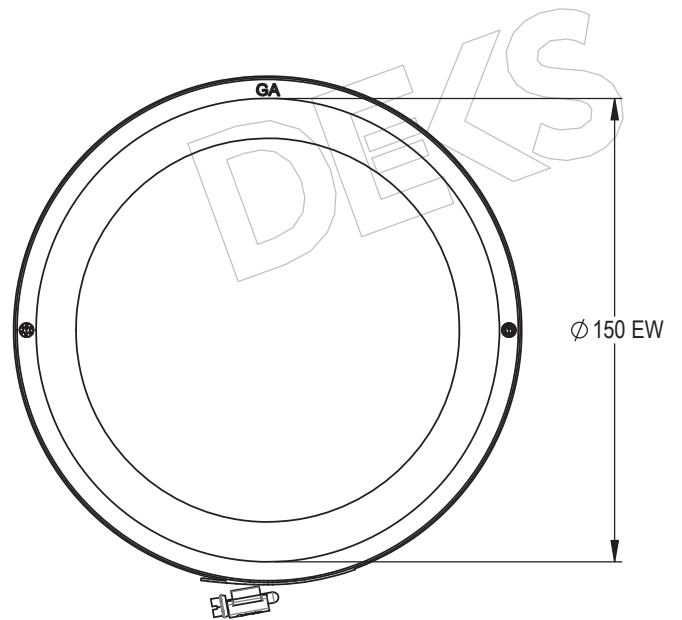
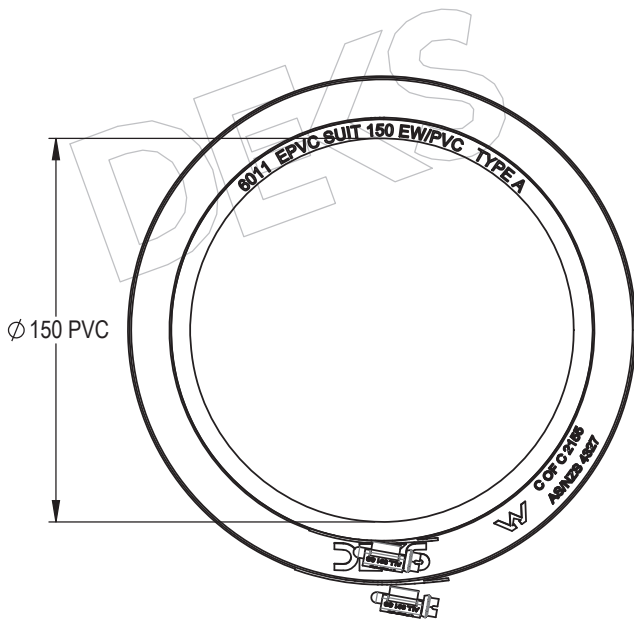
ITEM NO.	DESCRIPTION	QTY
1	SLEEVE	1
2	STAINLESS STEEL ADJUSTABLE BAND	1
3	STAINLESS STEEL ADJUSTABLE BAND	1

PART NO	DISPLAY NAME	MATERIAL
6007	Deks Joiner 100 EW-PVC Blk ePVC	EPVC/SS
6007G	Deks Joiner 100 EW-PVC Gry ePVC	EPVC/SS



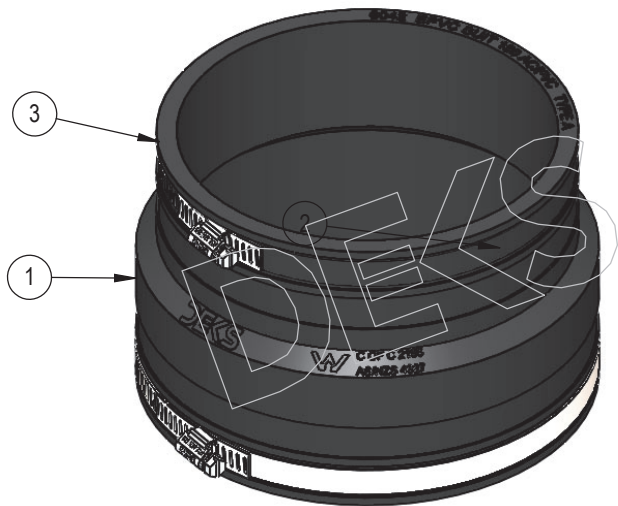
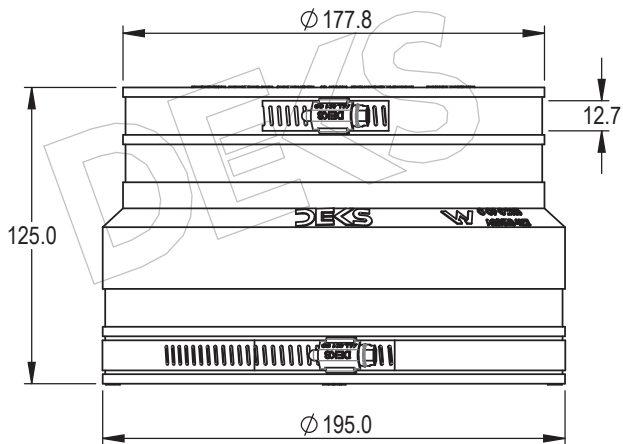
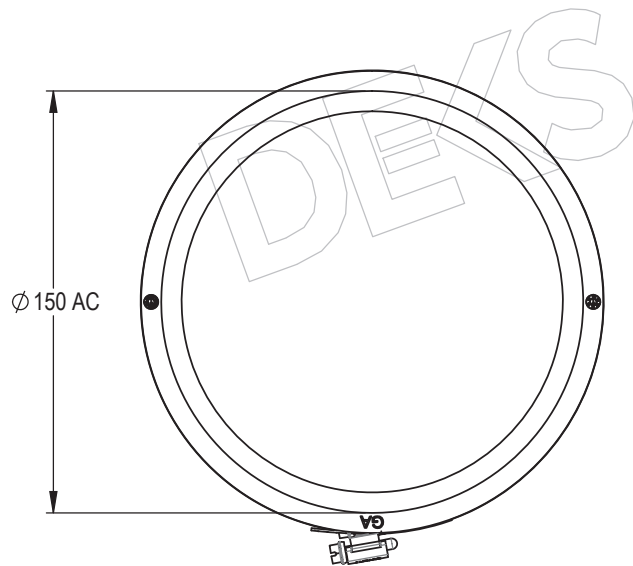
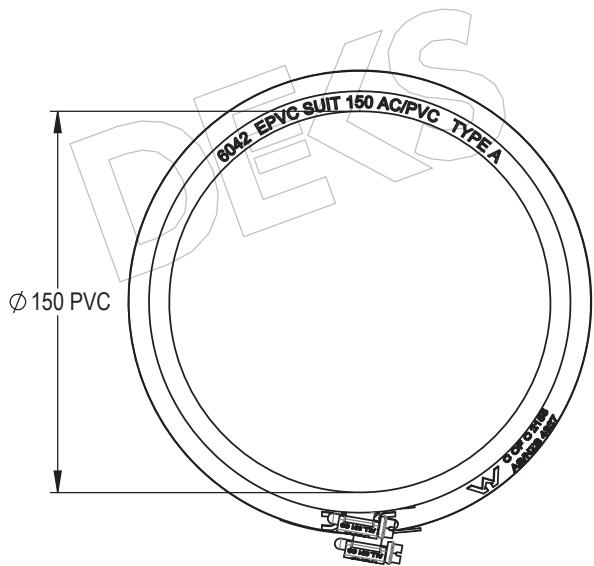
2	100 PVC-COPPER BUSH	1
1	100 PVC PIPE JOINER	1
ITEM NO.	DESCRIPTION	QTY.

PART NO	DISPLAY NAME	MATERIAL
6034	Deks Joiner 100 PVC-Cop Blk ePVC	EPVC/SS



3	STAINLESS STEEL ADJUSTABLE BAND	1
2	STAINLESS STEEL ADJUSTABLE BAND	1
1	SLEEVE	1
ITEM NO.	DESCRIPTION	QTY.

PART NO	DISPLAY NAME	MATERIAL
6011	Deks Joiner 150 EW-PVC.Bik ePVC	EPVC/SS



3	STAINLESS STEEL ADJUSTABLE BAND	1
2	STAINLESS STEEL ADJUSTABLE BAND	1
1	SLEEVE	1
ITEM NO.	DESCRIPTION	QTY.

PART NO	DISPLAY NAME	MATERIAL
6042	Deks Joiner 150 PVC-AC Joiner Blk EPVC	EPVC/SS

# IAPMO R&T OCEANA

7-11 Fullard Rd, Narre Warren, VIC 3805, AUSTRALIA



IAPMO R&T Oceana is a product certification body which inspects and arranges for the independent laboratory testing of samples taken from the manufacturer's stock or from the market or a combination of both, to verify compliance of the requirements of applicable Standards and Specifications. This activity is coupled with periodic surveillance of the manufacturer's factory and any major subcontractor's site/s as well as the assessment of the manufacturer's Quality Assurance System. This certification is subject to the conditions set forth in the characteristics below and is not to be construed as any recommendation, assurance or guarantee by IAPMO R&T Oceana of the product acceptance by Authorities Having Jurisdiction.

## CERTIFICATE OF CONFORMITY

*IAPMO R&T Oceana hereby grants to:*

### Deks Industries Pty Ltd

A.B.N.: 77 107 135 544

5/841 Mountain Highway, Bayswater, Melbourne, Victoria, Australia, 3153

*the right to use the WaterMark in accordance with the ABCB Manual for the WaterMark Certification Scheme;– Australian Standards; WaterMark Technical Specifications; and the Plumbing Code of Australia; only in respect of the certified product as described in the WaterMark Certificate of Conformity – Schedule of Certified Product (Refer also IAPMO Product Listing Directory). The Certificate is granted subject to the rules governing the WaterMark Certification Scheme and the Terms and Conditions of the Approved User Agreement and IAPMO Oceana's WaterMark Governance Rules.*

*Evaluated to:*

**AS/NZS 4327**

**Metal-banded flexible couplings for low pressure applications**

*Manufacturer:*

**Refer to Licence Holder**

<b>Certificate No.:</b>	WM-002155	<b>Certification Date:</b>	10 July 2019
<b>First Certified:</b>	10 July 2019	<b>Expiry Date:</b>	9 July 2024

Chief Executive Officer of the IAPMO Group

This WaterMark Certificate of Conformity is for the period indicated herein and is void after the date shown above. Any change in material, manufacturing process, marking or design without having first obtained the approval of IAPMO R&T Oceana, or any evidence of non-compliance with applicable Standards, Specifications or of inferior workmanship, may be deemed sufficient cause for revocation of this certification. This Certificate can only be reproduced in its entirety. Any alteration of this certificate could be grounds for revocation of this certification.

"This certificate is issued by a JAS-ANZ accredited Conformity Assessment Body. The ABCB and JAS-ANZ do not in any way warrant, guarantee or represent that the product the subject of this Certificate conforms to the WaterMark Certification Scheme Rules, nor accepts any liability arising out of the use of the product. The ABCB disclaims to the extent permitted by law, all liability (including negligence) for claims of losses, expenses, damages and costs arising as a result of the use of the product(s) referred to in this Certificate".

DEKS INDUSTRIES  
5/841 Mountain Highway  
Bayswater  
Victoria 3153  
www.deks.com.au



## Technical Documents

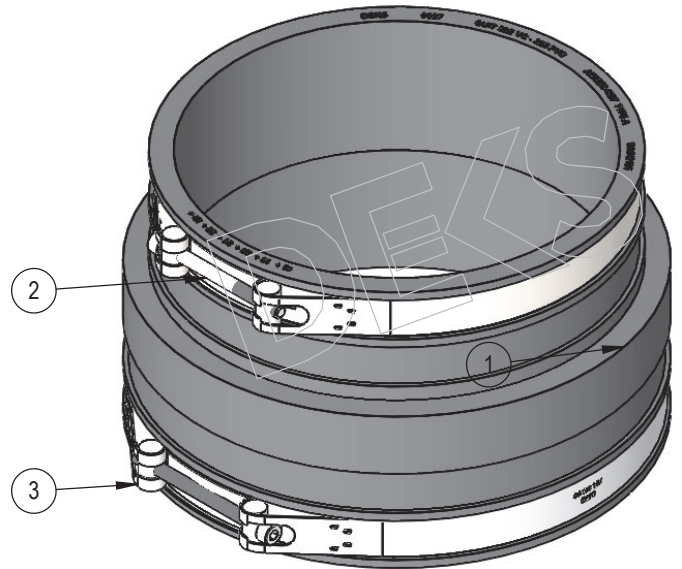
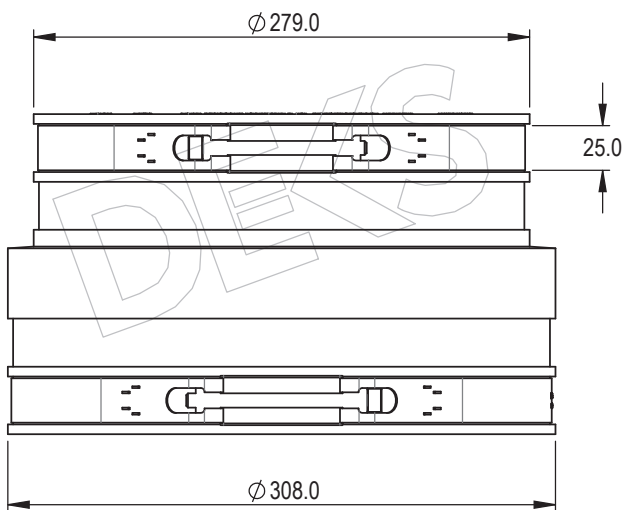
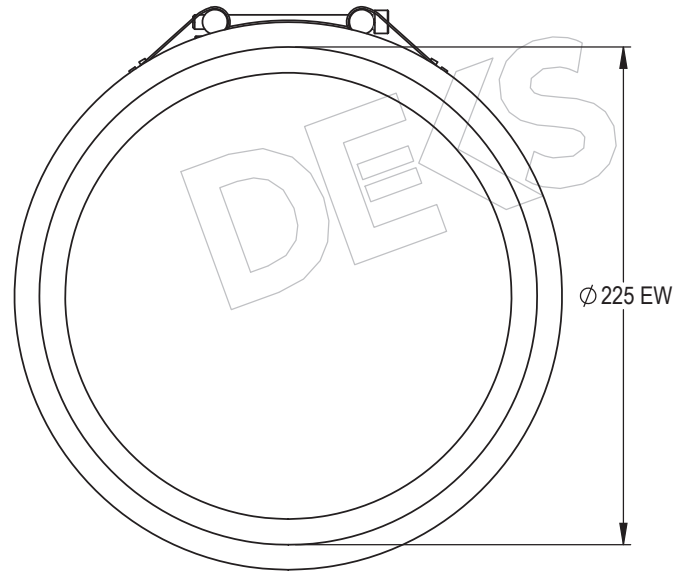
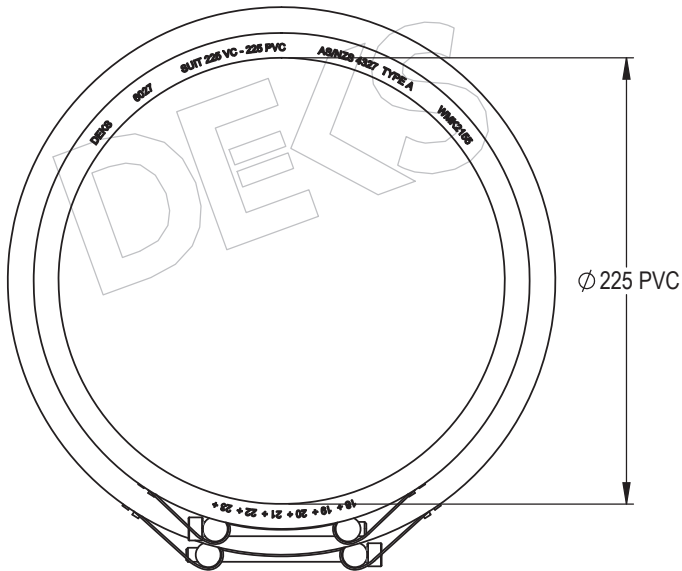
**1: Drawings 6027**

**2: Drawing 6032**

**3: Watermark Certificate**

*Follow  
Us On*

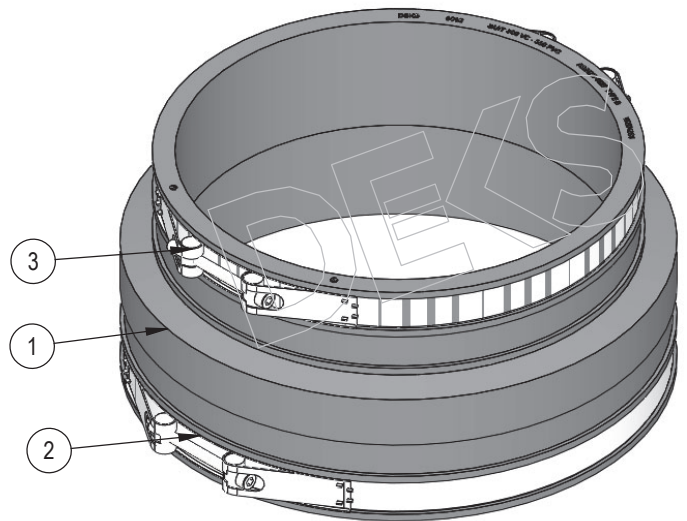
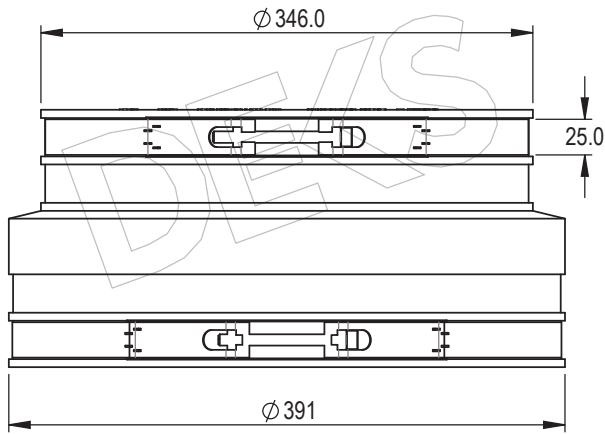
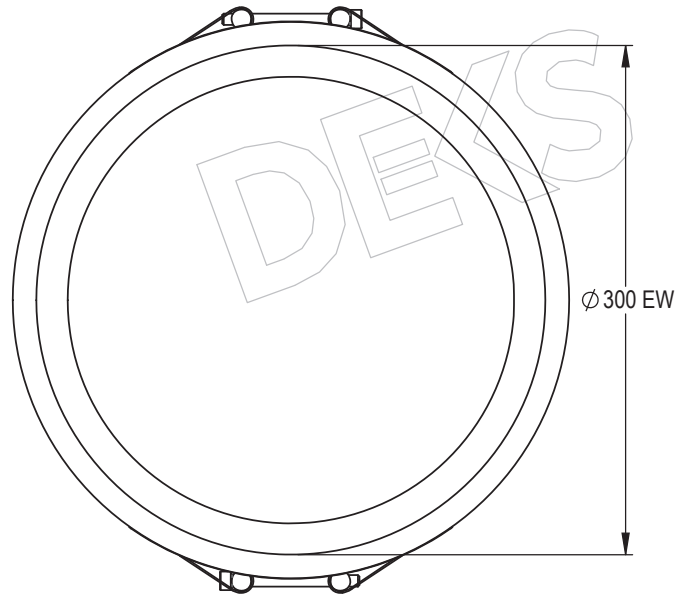
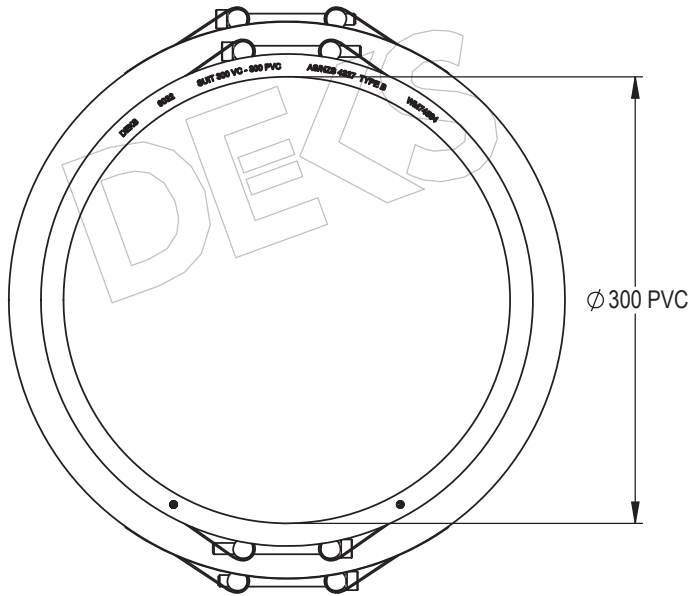




3	STAINLESS STEEL CLAMP	1
2	STAINLESS STEEL CLAMP	1
1	RUBBER MOULDING	1
ITEM NO.	DESCRIPTION	QTY.

PART NO	DISPLAY NAME
6027	Deks Joiner 225 EW-PVC EPDM





3	STAINLESS CLIP	1
2	STAINLESS CLIP	1
1	RUBBER MOULDING	1
ITEM NO.	DESCRIPTION	QTY.

PART NO	DISPLAY NAME
6032	Deks Joiner 300 EW- PVC EPDM

# IAPMO R&T OCEANA

7-11 Fullard Rd, Narre Warren, VIC 3805, AUSTRALIA



IAPMO R&T Oceana is a product certification body which inspects and arranges for the independent laboratory testing of samples taken from the manufacturer's stock or from the market or a combination of both, to verify compliance of the requirements of applicable Standards and Specifications. This activity is coupled with periodic surveillance of the manufacturer's factory and any major subcontractor's site/s as well as the assessment of the manufacturer's Quality Assurance System. This certification is subject to the conditions set forth in the characteristics below and is not to be construed as any recommendation, assurance or guarantee by IAPMO R&T Oceana of the product acceptance by Authorities Having Jurisdiction.

## CERTIFICATE OF CONFORMITY

*IAPMO R&T Oceana hereby grants to:*

### Deks Industries Pty Ltd

A.B.N.: 77 107 135 544

5/841 Mountain Highway, Bayswater, Melbourne, Victoria, Australia, 3153

*the right to use the WaterMark in accordance with the ABCB Manual for the WaterMark Certification Scheme;– Australian Standards; WaterMark Technical Specifications; and the Plumbing Code of Australia; only in respect of the certified product as described in the WaterMark Certificate of Conformity – Schedule of Certified Product (Refer also IAPMO Product Listing Directory). The Certificate is granted subject to the rules governing the WaterMark Certification Scheme and the Terms and Conditions of the Approved User Agreement and IAPMO Oceana's WaterMark Governance Rules.*

*Evaluated to:*

**AS/NZS 4327**

**Metal-banded flexible couplings for low pressure applications**

*Manufacturer:*

**Refer to Licence Holder**

<b>Certificate No.:</b>	WM-002155	<b>Certification Date:</b>	10 July 2019
<b>First Certified:</b>	10 July 2019	<b>Expiry Date:</b>	9 July 2024

Chief Executive Officer of the IAPMO Group

This WaterMark Certificate of Conformity is for the period indicated herein and is void after the date shown above. Any change in material, manufacturing process, marking or design without having first obtained the approval of IAPMO R&T Oceana, or any evidence of non-compliance with applicable Standards, Specifications or of inferior workmanship, may be deemed sufficient cause for revocation of this certification. This Certificate can only be reproduced in its entirety. Any alteration of this certificate could be grounds for revocation of this certification.

"This certificate is issued by a JAS-ANZ accredited Conformity Assessment Body. The ABCB and JAS-ANZ do not in any way warrant, guarantee or represent that the product the subject of this Certificate conforms to the WaterMark Certification Scheme Rules, nor accepts any liability arising out of the use of the product. The ABCB disclaims to the extent permitted by law, all liability (including negligence) for claims of losses, expenses, damages and costs arising as a result of the use of the product(s) referred to in this Certificate".

DEKS INDUSTRIES  
5/841 Mountain Highway  
Bayswater  
Victoria 3153  
www.deks.com.au



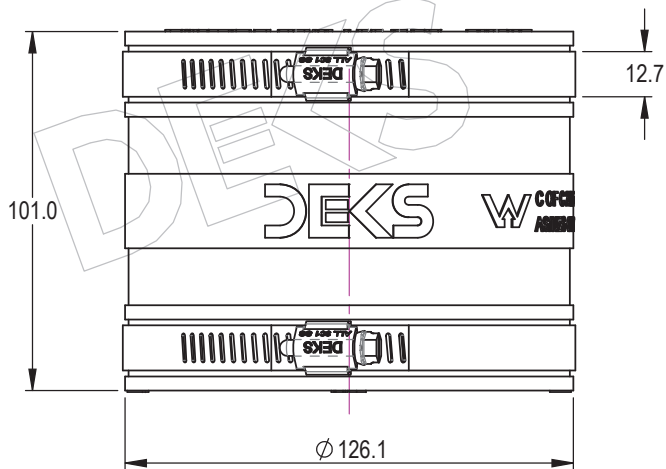
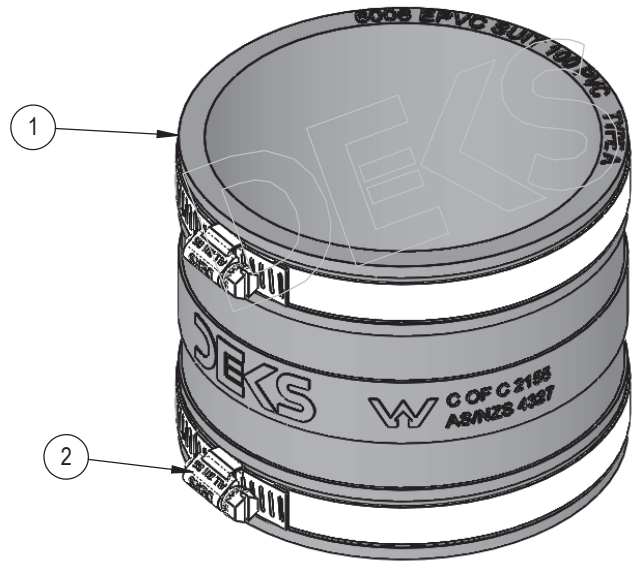
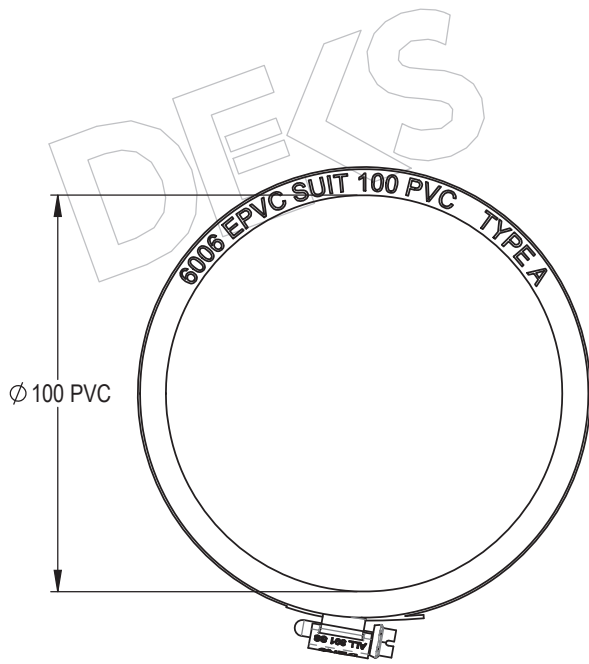
## Technical Documents

1: Drawing 6006 & 6006G

2: Watermark Certificate

*Follow  
Us On*





ITEM NO.	DESCRIPTION	QTY
1	SLEEVE	1
2	316 SS ADJUSTABLE BAND 95mm-135mm	2

PART NO	DISPLAY NAME	MATERIAL
6006	Deks Joiner 100 PVC-PVC Blk ePVC	EPVC/SS
6006G	Deks Joiner 100 PVC-PVC Gry ePVC	EPVC/SS

# IAPMO R&T OCEANA

7-11 Fullard Rd, Narre Warren, VIC 3805, AUSTRALIA



IAPMO R&T Oceana is a product certification body which inspects and arranges for the independent laboratory testing of samples taken from the manufacturer's stock or from the market or a combination of both, to verify compliance of the requirements of applicable Standards and Specifications. This activity is coupled with periodic surveillance of the manufacturer's factory and any major subcontractor's site/s as well as the assessment of the manufacturer's Quality Assurance System. This certification is subject to the conditions set forth in the characteristics below and is not to be construed as any recommendation, assurance or guarantee by IAPMO R&T Oceana of the product acceptance by Authorities Having Jurisdiction.

## CERTIFICATE OF CONFORMITY

*IAPMO R&T Oceana hereby grants to:*

### Deks Industries Pty Ltd

A.B.N.: 77 107 135 544

5/841 Mountain Highway, Bayswater, Melbourne, Victoria, Australia, 3153

*the right to use the WaterMark in accordance with the ABCB Manual for the WaterMark Certification Scheme;– Australian Standards; WaterMark Technical Specifications; and the Plumbing Code of Australia; only in respect of the certified product as described in the WaterMark Certificate of Conformity – Schedule of Certified Product (Refer also IAPMO Product Listing Directory). The Certificate is granted subject to the rules governing the WaterMark Certification Scheme and the Terms and Conditions of the Approved User Agreement and IAPMO Oceana's WaterMark Governance Rules.*

*Evaluated to:*

**AS/NZS 4327**

**Metal-banded flexible couplings for low pressure applications**

*Manufacturer:*

**Refer to Licence Holder**

<b>Certificate No.:</b>	WM-002155	<b>Certification Date:</b>	10 July 2019
<b>First Certified:</b>	10 July 2019	<b>Expiry Date:</b>	9 July 2024

Chief Executive Officer of the IAPMO Group

This WaterMark Certificate of Conformity is for the period indicated herein and is void after the date shown above. Any change in material, manufacturing process, marking or design without having first obtained the approval of IAPMO R&T Oceana, or any evidence of non-compliance with applicable Standards, Specifications or of inferior workmanship, may be deemed sufficient cause for revocation of this certification. This Certificate can only be reproduced in its entirety. Any alteration of this certificate could be grounds for revocation of this certification.

"This certificate is issued by a JAS-ANZ accredited Conformity Assessment Body. The ABCB and JAS-ANZ do not in any way warrant, guarantee or represent that the product the subject of this Certificate conforms to the WaterMark Certification Scheme Rules, nor accepts any liability arising out of the use of the product. The ABCB disclaims to the extent permitted by law, all liability (including negligence) for claims of losses, expenses, damages and costs arising as a result of the use of the product(s) referred to in this Certificate".

DEKS INDUSTRIES  
5/841 Mountain Highway  
Bayswater  
Victoria 3153  
www.deks.com.au



## Technical Documents

1: Drawing 6048

2: Drawing 6049

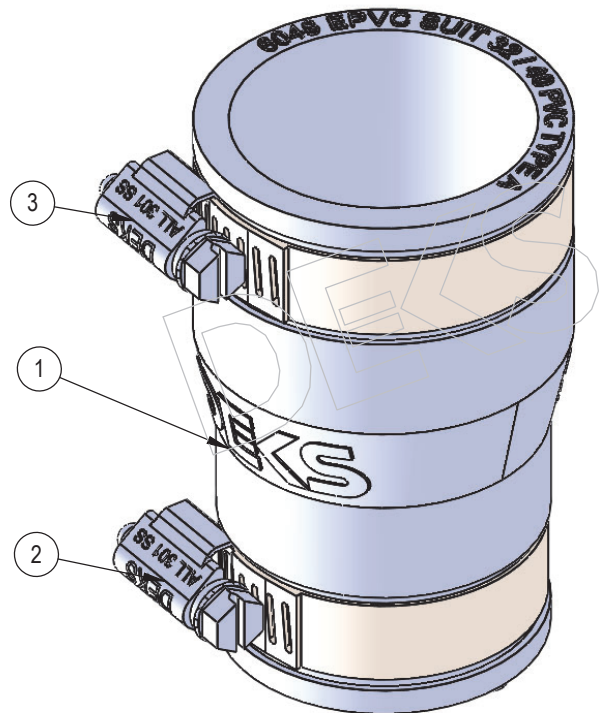
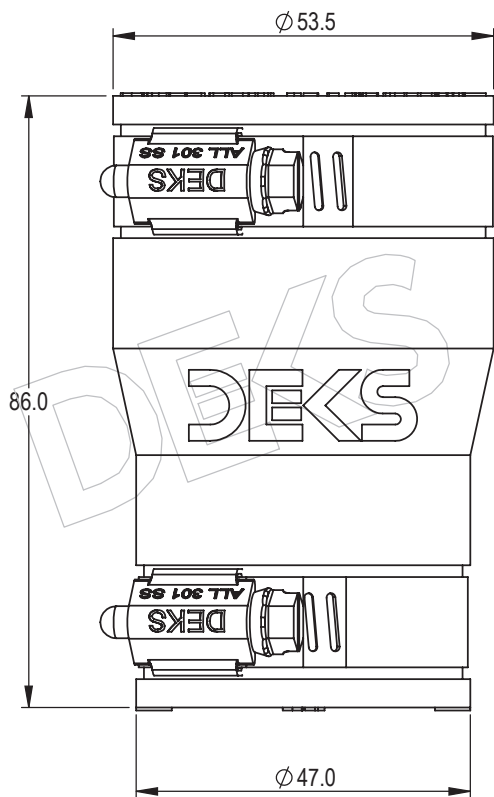
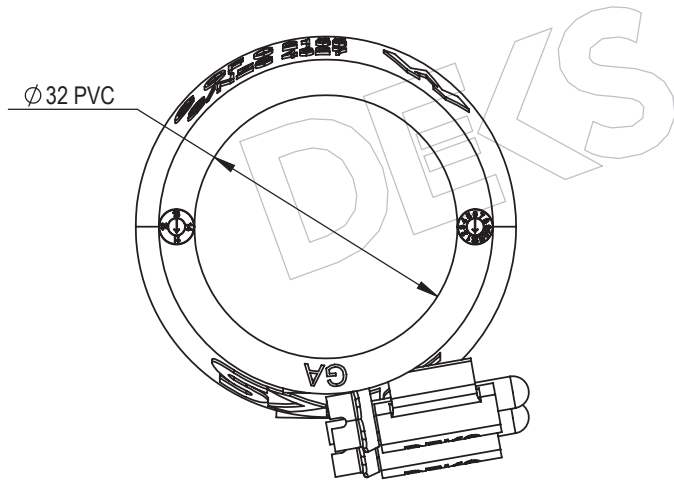
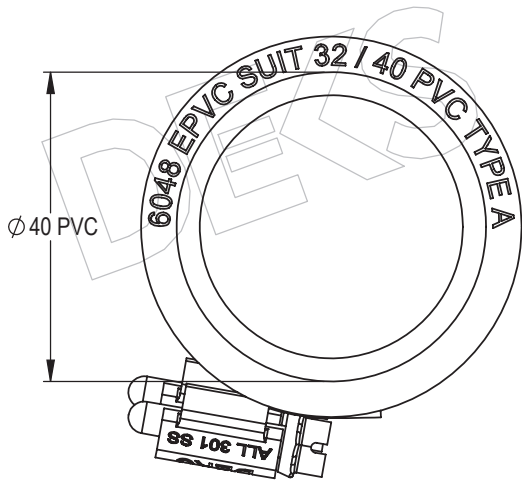
3: Drawing 6050

4: Drawing 6056

5: Watermark Certificate

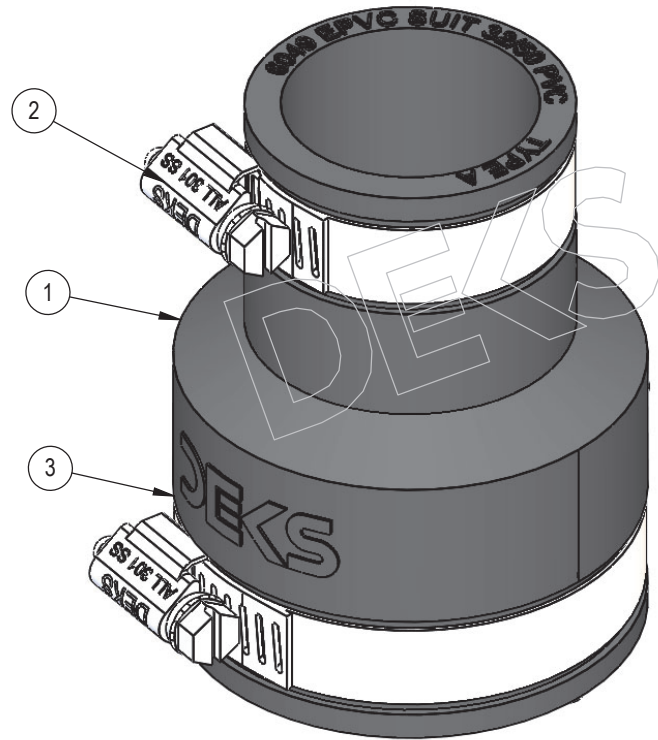
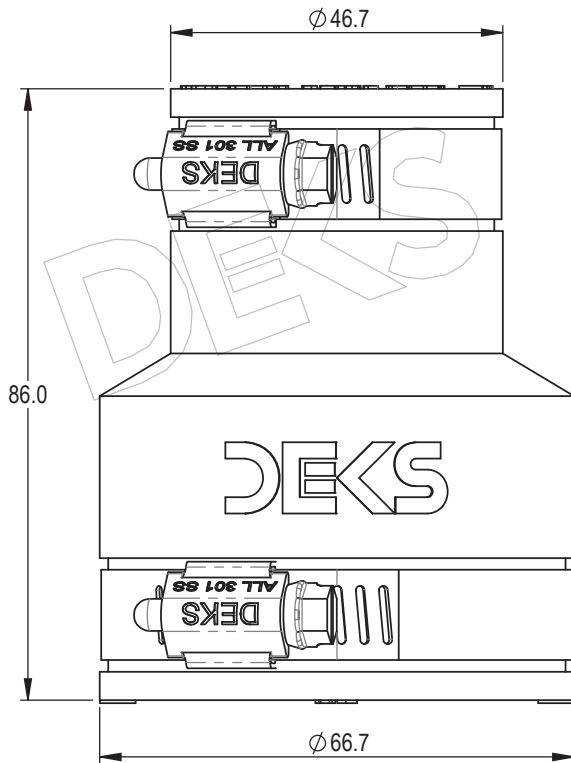
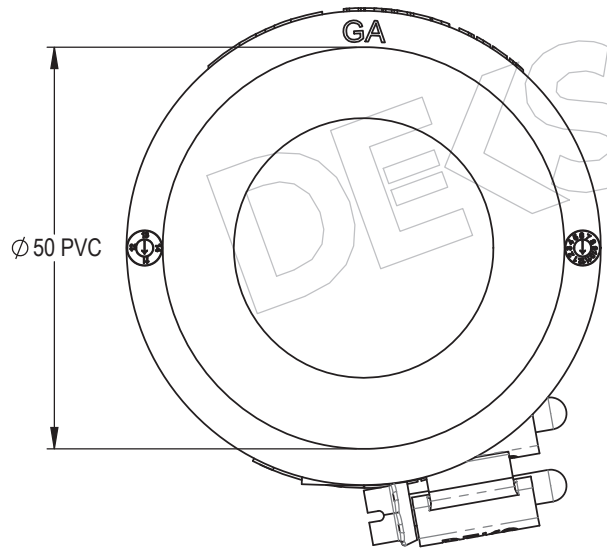
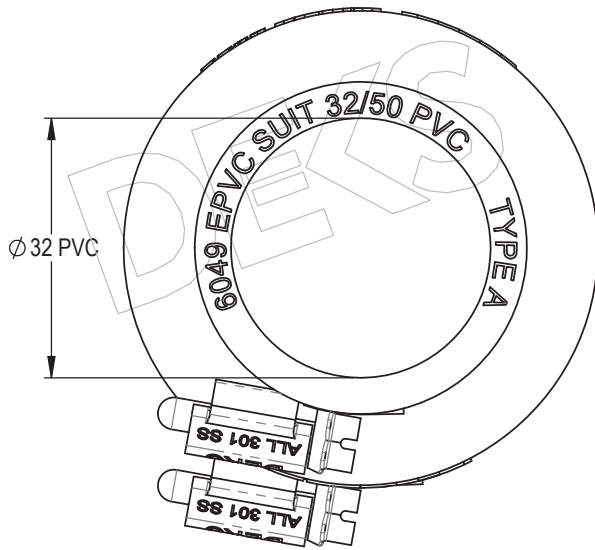
*Follow  
Us On*





3	STAINLESS STEEL ADJUSTABLE BAND	1
2	STAINLESS STEEL ADJUSTABLE BAND	1
1	SLEEVE	1
ITEM NO.	DESCRIPTION	QTY.

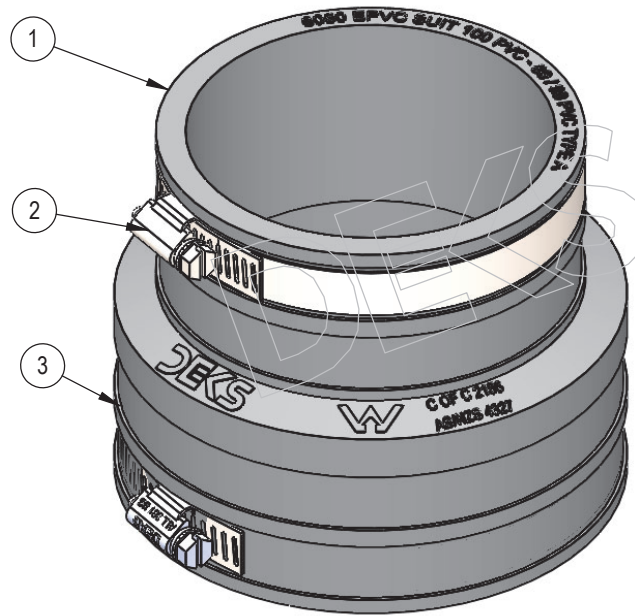
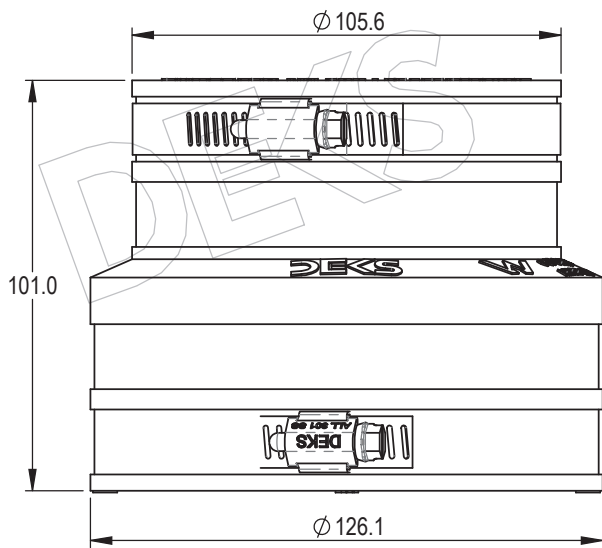
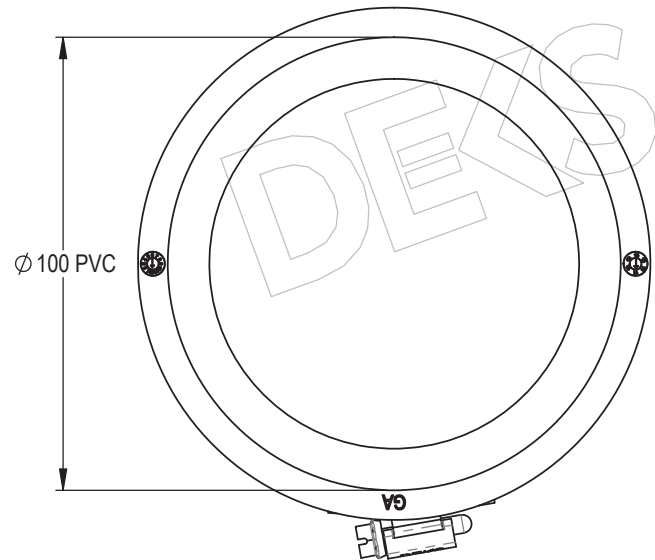
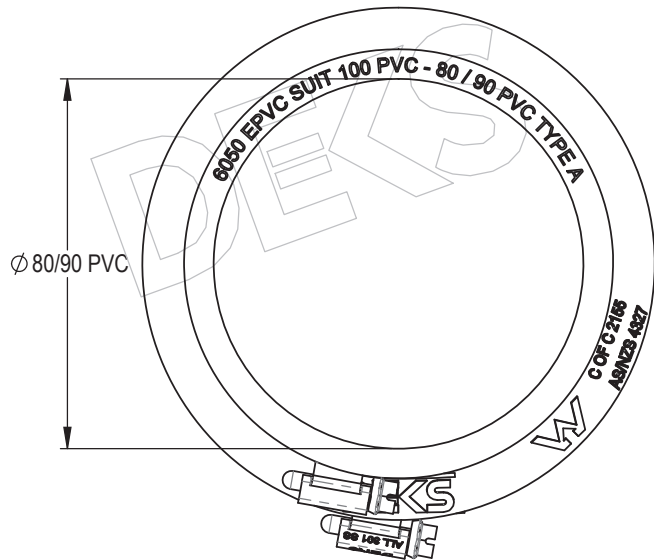
PART NO	DISPLAY NAME	MATERIAL
6048	Deks Joiner 40-32 PVC Reducer Bk ePVC	EPVC/SS



3	STAINLESS STEEL ADJUSTABLE BAND	1
2	STAINLESS STEEL ADJUSTABLE BAND	1
1	SLEEVE	1
ITEM NO.	DESCRIPTION	QTY.

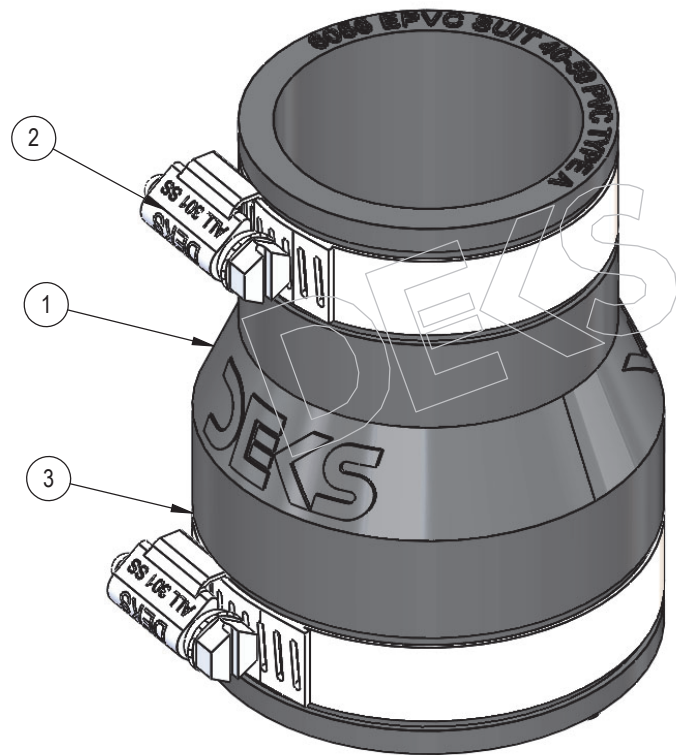
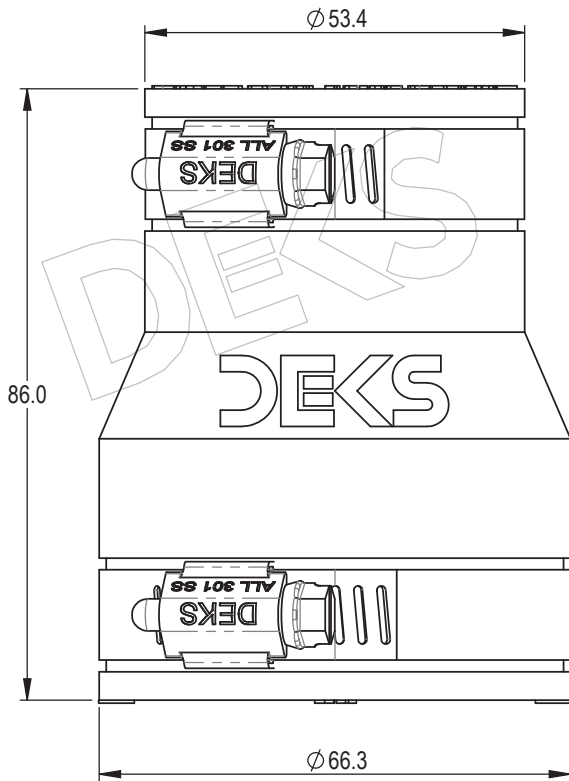
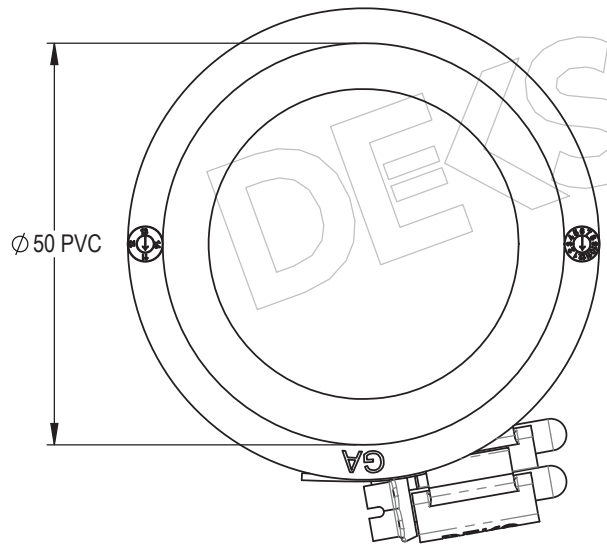
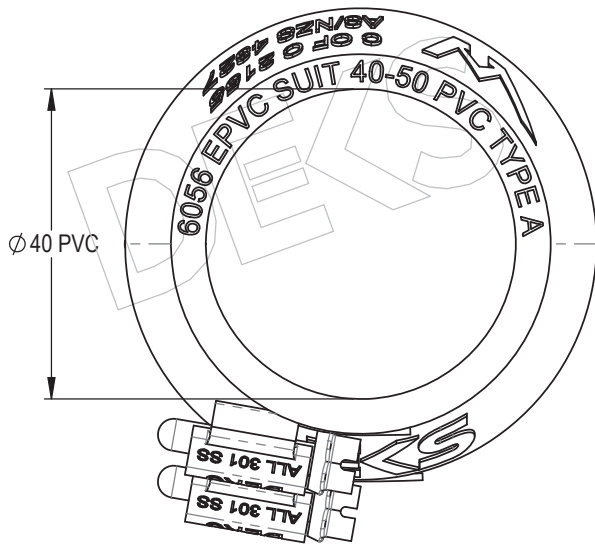
PART NO	DISPLAY NAME	MATERIAL
6049	Deks Joiner 50-32 PVC Reducer Blk EPVC	EPVC/SS





3	STAINLESS STEEL ADJUSTABLE BAND	1
2	STAINLESS STEEL ADJUSTABLE BAND	1
1	SLEEVE	1
ITEM NO.	DESCRIPTION	QTY.

PART NO	DISPLAY NAME	MATERIAL
6050	Deks Joiner 100-80/90 PVC Bk ePVC	EPVC/SS



3	STAINLESS STEEL ADJUSTABLE BAND	1
2	STAINLESS STEEL ADJUSTABLE BAND	1
1	SLEEVE	1
ITEM NO.	DESCRIPTION	QTY.

PART NO	DISPLAY NAME	MATERIAL
6056	Deks Joiner 50-40 PVC Joiner Bik EPVC	EPVC/SS

# IAPMO R&T OCEANA

7-11 Fullard Rd, Narre Warren, VIC 3805, AUSTRALIA



IAPMO R&T Oceana is a product certification body which inspects and arranges for the independent laboratory testing of samples taken from the manufacturer's stock or from the market or a combination of both, to verify compliance of the requirements of applicable Standards and Specifications. This activity is coupled with periodic surveillance of the manufacturer's factory and any major subcontractor's site/s as well as the assessment of the manufacturer's Quality Assurance System. This certification is subject to the conditions set forth in the characteristics below and is not to be construed as any recommendation, assurance or guarantee by IAPMO R&T Oceana of the product acceptance by Authorities Having Jurisdiction.

## CERTIFICATE OF CONFORMITY

*IAPMO R&T Oceana hereby grants to:*

### Deks Industries Pty Ltd

A.B.N.: 77 107 135 544

5/841 Mountain Highway, Bayswater, Melbourne, Victoria, Australia, 3153

*the right to use the WaterMark in accordance with the ABCB Manual for the WaterMark Certification Scheme;– Australian Standards; WaterMark Technical Specifications; and the Plumbing Code of Australia; only in respect of the certified product as described in the WaterMark Certificate of Conformity – Schedule of Certified Product (Refer also IAPMO Product Listing Directory). The Certificate is granted subject to the rules governing the WaterMark Certification Scheme and the Terms and Conditions of the Approved User Agreement and IAPMO Oceana's WaterMark Governance Rules.*

*Evaluated to:*

**AS/NZS 4327**

**Metal-banded flexible couplings for low pressure applications**

*Manufacturer:*

**Refer to Licence Holder**

<b>Certificate No.:</b>	WM-002155	<b>Certification Date:</b>	10 July 2019
<b>First Certified:</b>	10 July 2019	<b>Expiry Date:</b>	9 July 2024

Chief Executive Officer of the IAPMO Group

This WaterMark Certificate of Conformity is for the period indicated herein and is void after the date shown above. Any change in material, manufacturing process, marking or design without having first obtained the approval of IAPMO R&T Oceana, or any evidence of non-compliance with applicable Standards, Specifications or of inferior workmanship, may be deemed sufficient cause for revocation of this certification. This Certificate can only be reproduced in its entirety. Any alteration of this certificate could be grounds for revocation of this certification.

"This certificate is issued by a JAS-ANZ accredited Conformity Assessment Body. The ABCB and JAS-ANZ do not in any way warrant, guarantee or represent that the product the subject of this Certificate conforms to the WaterMark Certification Scheme Rules, nor accepts any liability arising out of the use of the product. The ABCB disclaims to the extent permitted by law, all liability (including negligence) for claims of losses, expenses, damages and costs arising as a result of the use of the product(s) referred to in this Certificate".

DEKS INDUSTRIES  
5/841 Mountain Highway  
Bayswater  
Victoria 3153  
www.deks.com.au



## Technical Documents

1: Drawing 6001

2: Drawing 6002

3: Drawing 6003 & 6003G

4: Drawing 6004

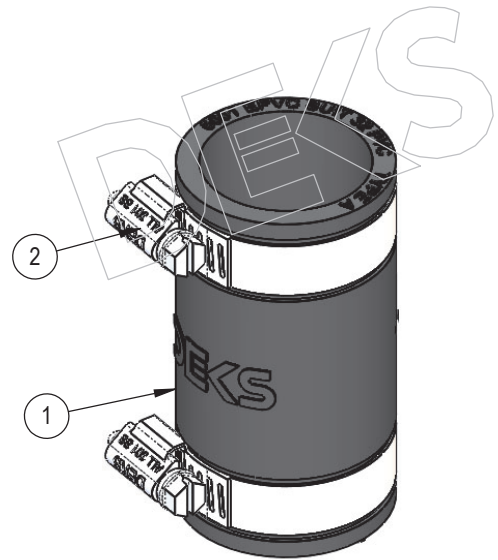
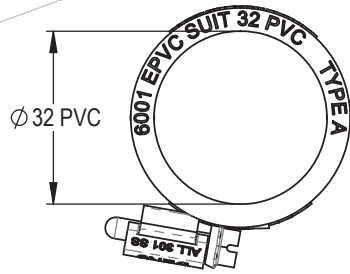
5: Drawing 6005

6: Watermark Certificate

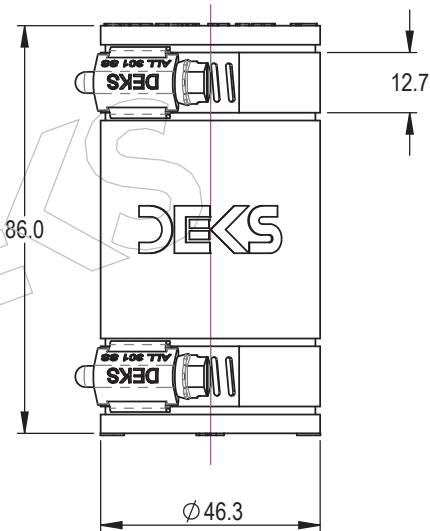
*Follow  
Us On*



DEKS



DEKS

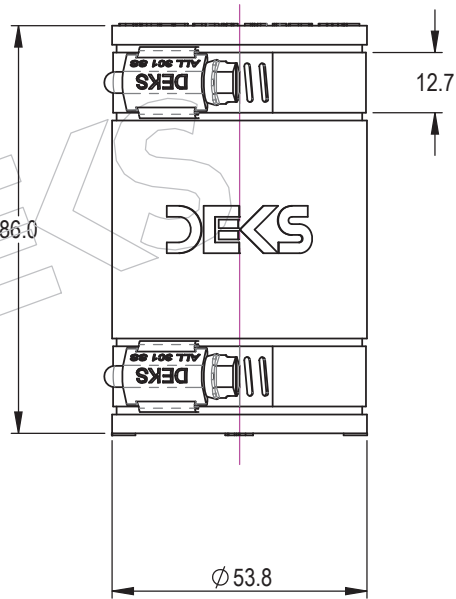
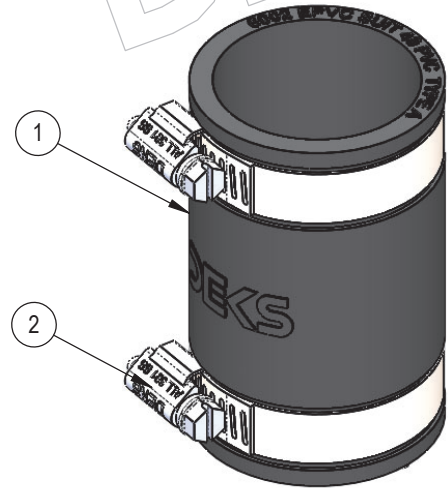
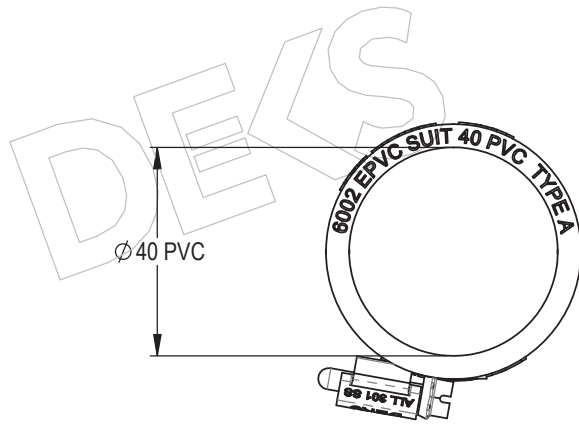


DEKS

ITEM NO.	DESCRIPTION	QTY.
1	SLEEVE	1
2	316 SS ADJUSTABLE BAND	2

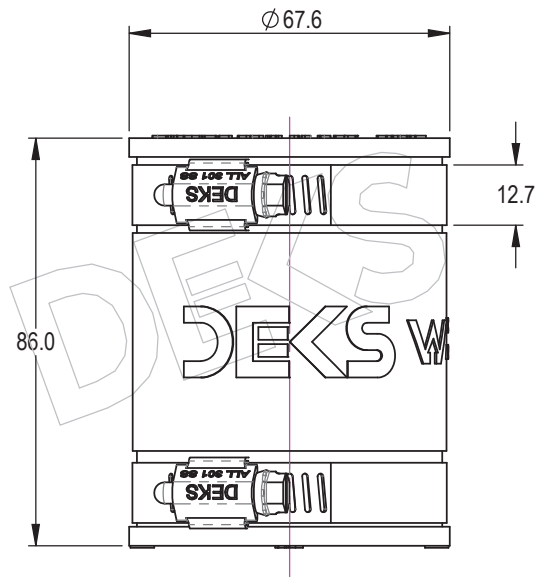
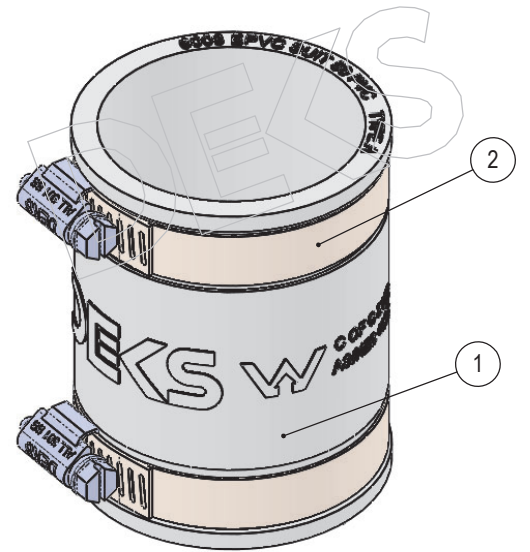
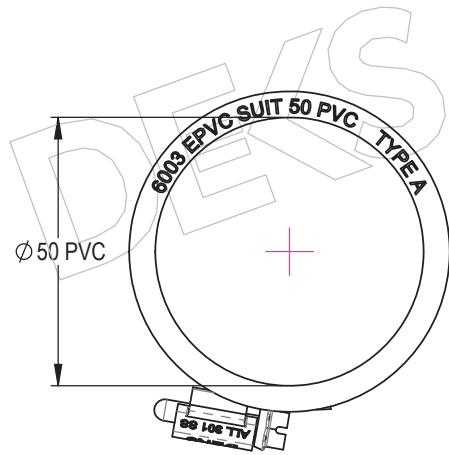
DEKS

PART NO	DISPLAY NAME	MATERIAL
6001	Deks Joiner 32 PVC-PVC Bik ePVC	EPVC/STAINLESS STEEL



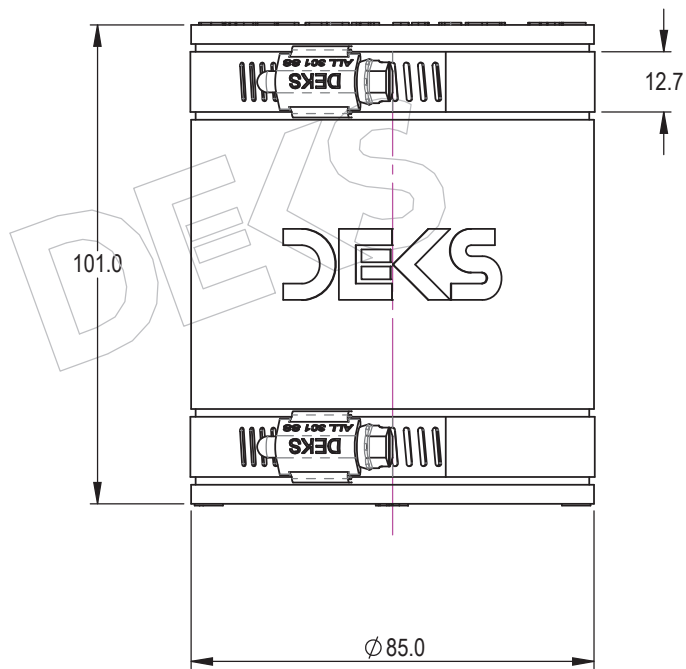
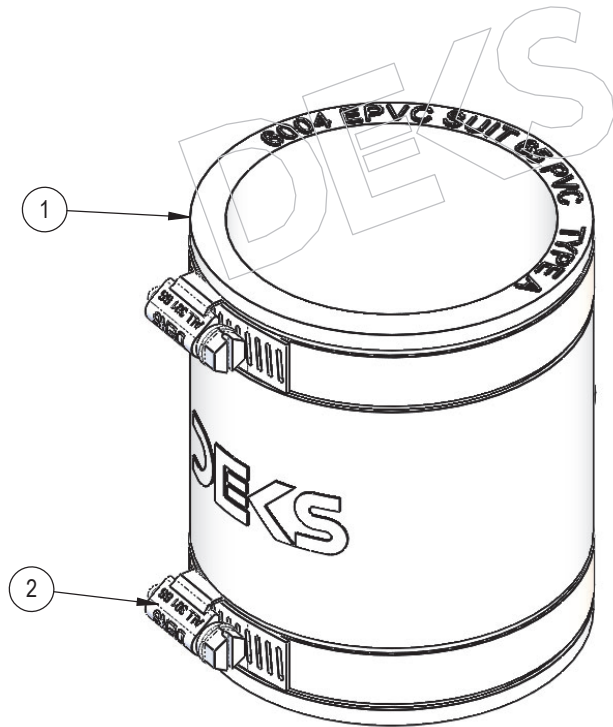
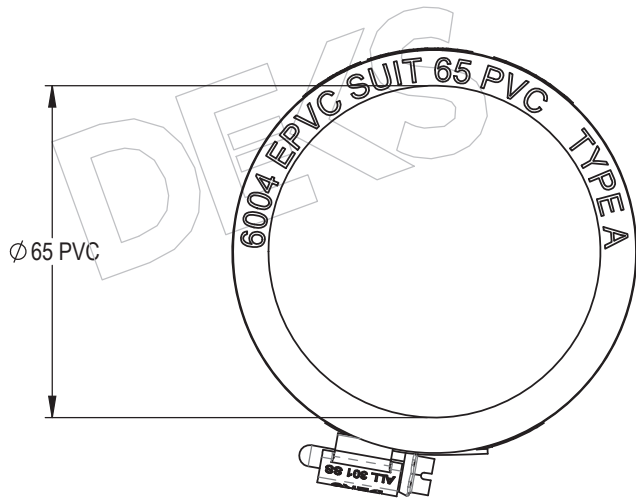
ITEM NO.	DESCRIPTION	QTY.
1	SLEEVE	1
2	316 SS ADJUSTABLE BAND	2

PART NO	DISPLAY NAME	MATERIAL
6002	Deks Joiner 40 PVC- PVC Blk ePVC	EPVC/STAINLESS STEEL



ITEM NO.	DESCRIPTION	QTY.
1	SLEEVE	1
2	316 SS ADJUSTABLE BAND	2

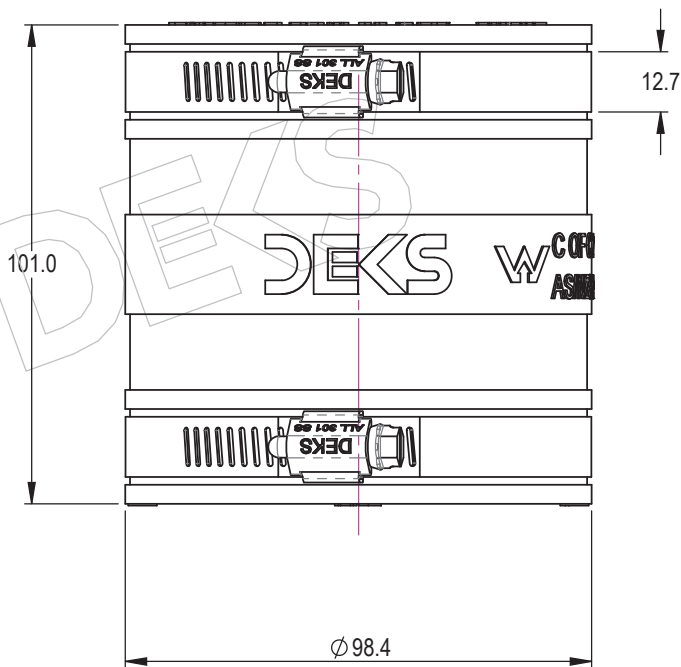
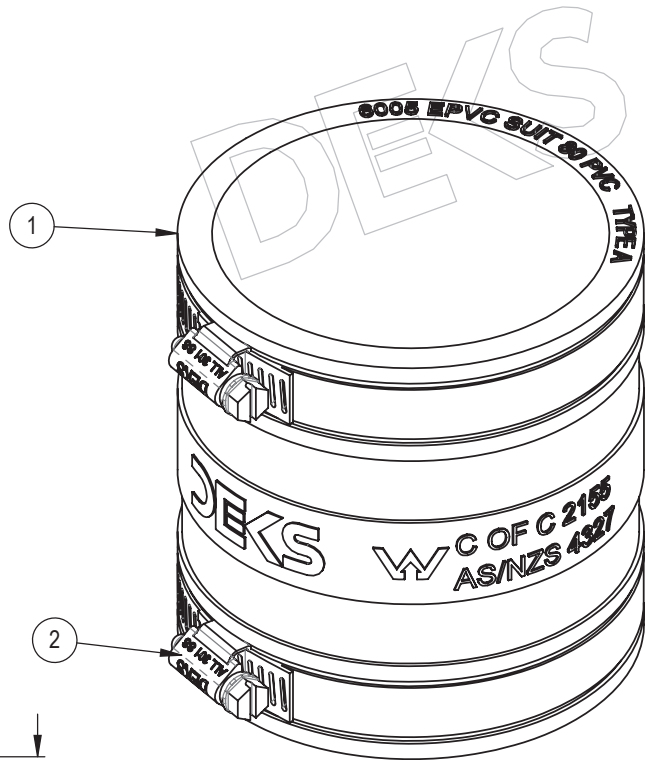
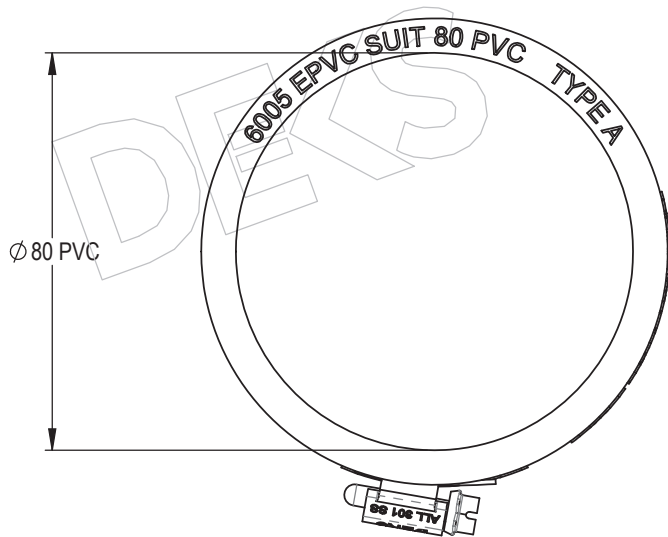
PART NO	DISPLAY NAME	MATERIAL
6003G	Deks Joiner 50 PVC-PVC Gry ePVC	EPVC/SS
6003	Deks Joiner 50 PVC-PVC Blk ePVC	EPVC/SS



ITEM NO.	DESCRIPTION	QTY.
1	SLEEVE	1
2	316 SS ADJUSTABLE BAND	2

PART NO	DISPLAY NAME	MATERIAL
6004	Deks Joiner 65 PVC-PVC Blk ePVC	EPVC/SS





ITEM NO.	DESCRIPTION	QTY.
1	SLEEVE	1
2	316 SS ADJUSTABLE BAND	2

PART NO	DISPLAY NAME	MATERIAL
6005	Deks Joiner 80 PVC-PVC Blk ePVC	EPVC/SS

# IAPMO R&T OCEANA

7-11 Fullard Rd, Narre Warren, VIC 3805, AUSTRALIA



IAPMO R&T Oceana is a product certification body which inspects and arranges for the independent laboratory testing of samples taken from the manufacturer's stock or from the market or a combination of both, to verify compliance of the requirements of applicable Standards and Specifications. This activity is coupled with periodic surveillance of the manufacturer's factory and any major subcontractor's site/s as well as the assessment of the manufacturer's Quality Assurance System. This certification is subject to the conditions set forth in the characteristics below and is not to be construed as any recommendation, assurance or guarantee by IAPMO R&T Oceana of the product acceptance by Authorities Having Jurisdiction.

## CERTIFICATE OF CONFORMITY

*IAPMO R&T Oceana hereby grants to:*

### Deks Industries Pty Ltd

A.B.N.: 77 107 135 544

5/841 Mountain Highway, Bayswater, Melbourne, Victoria, Australia, 3153

*the right to use the WaterMark in accordance with the ABCB Manual for the WaterMark Certification Scheme;– Australian Standards; WaterMark Technical Specifications; and the Plumbing Code of Australia; only in respect of the certified product as described in the WaterMark Certificate of Conformity – Schedule of Certified Product (Refer also IAPMO Product Listing Directory). The Certificate is granted subject to the rules governing the WaterMark Certification Scheme and the Terms and Conditions of the Approved User Agreement and IAPMO Oceana's WaterMark Governance Rules.*

*Evaluated to:*

**AS/NZS 4327**

**Metal-banded flexible couplings for low pressure applications**

*Manufacturer:*

**Refer to Licence Holder**

<b>Certificate No.:</b>	WM-002155	<b>Certification Date:</b>	10 July 2019
<b>First Certified:</b>	10 July 2019	<b>Expiry Date:</b>	9 July 2024

Chief Executive Officer of the IAPMO Group

This WaterMark Certificate of Conformity is for the period indicated herein and is void after the date shown above. Any change in material, manufacturing process, marking or design without having first obtained the approval of IAPMO R&T Oceana, or any evidence of non-compliance with applicable Standards, Specifications or of inferior workmanship, may be deemed sufficient cause for revocation of this certification. This Certificate can only be reproduced in its entirety. Any alteration of this certificate could be grounds for revocation of this certification.

"This certificate is issued by a JAS-ANZ accredited Conformity Assessment Body. The ABCB and JAS-ANZ do not in any way warrant, guarantee or represent that the product the subject of this Certificate conforms to the WaterMark Certification Scheme Rules, nor accepts any liability arising out of the use of the product. The ABCB disclaims to the extent permitted by law, all liability (including negligence) for claims of losses, expenses, damages and costs arising as a result of the use of the product(s) referred to in this Certificate".