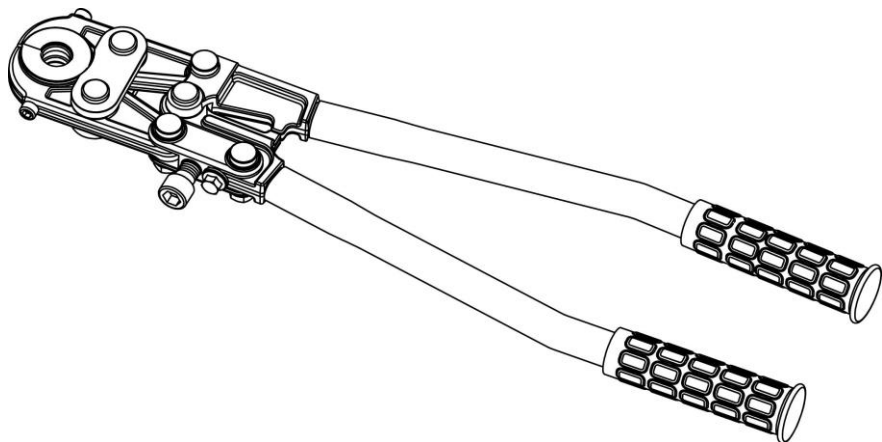


Instruction Manual

Mechanical Crimping Tool JT-1626B



Due to continuing improvements, actual product may differ slightly from the product described herein.



Read this material before using this product.

Failure to do so can result in serious injury.

SAVE THIS MANUAL

SAVE THIS MANUAL

Keep this manual for the safety warnings and precautions, assembly, operating, inspection, maintenance and cleaning procedures. Write the month and year of purchase. Keep this manual and the receipt in a safe and dry place for future reference.

IMPORTANT SAFETY INFORMATION

In this manual, on the labeling, and all other information provided with this product:



This is the safety alert symbol. It is used to alert you to potential personal injury hazards. Obey all safety messages that follow this symbol to avoid possible injury or death.

▲DANGER

DANGER indicates a hazardous situation which, if not avoided, will result in death or serious injury.

▲WARNING

WARNING indicates a hazardous situation which, if not avoided, could result in death or serious injury.

▲CAUTION

CAUTION, used with the safety alert symbol, indicates a hazardous situation which, if not avoided, could result in minor or moderate injury.

GENERAL SAFETY RULES

TO WORK IN SAFE CONDITIONS WITH THIS TOOLING, IT IS IMPERATIVE TO READ CAREFULLY THE DIRECTIONS FOR USE AND TO FOLLOW THE INSTRUCTIONS IT CONTAINS. IF YOU DO NOT RESPECT THE INFORMATION WRITTEN IN THAT INSTRUCTION MANUAL THE WARRANTY WILL BE CANCELLED.

1. Work area safety

- a. Keep work area clean and well lit. Cluttered or dark areas invite accidents.
- b. Keep children and bystanders away while operating, distractions will cause you to lose control.

2. Personal safety

- c. Stay alert, watch what you are doing and use common sense when operating the tool. Do not use the tool while you are tired or under the influence of drugs, alcohol or medication.. A moment of inattention while operating hydraulic tools may result in serious personal injury.
- d. Use safety equipment. Always wear eye protection. Safety equipment such as dust mask, non-skid shoes, hard hat, or hearing protection used for appropriate conditions will reduced personal injuries.
- e. Dress properly. Do not wear loose clothing or jewelry. Keep your hair, clothing and gloves away from moving parts. Loose clothes jewelry or long hair can be caught in moving parts.
- f. Do not force the tool. Use the correct power tool for your application .The correct power tool will do the job better and safer at the rate for which it was designed.
- g. Store idle power tools out of the reach of children and do not allow persons unfamiliar with the mechanical crimping tool. This tool is dangerous in the hands of untrained users.
- h. Maintain power tools. Check for misalignment or binding of moving parts, breakage of parts and any other condition that may affect the mechanical crimping tool operation. If damaged, have the mechanical crimping tool repaired before use. Many accidents are caused by poorly maintained power tools.
- i. Use the Mechanical Crimping Tool, accessories and tool bits etc., in accordance with these instructions and in the manner intended for the particular type of tool, taking into account the working conditions and the work to be performed. Use of the Mechanical Crimping tool for operations different from those intended could result in a hazardous situation.

3. Service

Have your Mechanical Crimping Tool serviced by a qualified service technician using only identical replacement parts. This will ensure that the safety of the crimping tool Kit is maintained.

SPECIFIC SAFETY RULES

1. Maintain labels and nameplates on the tool which carry important safety information. If unreadable or missing, contact the agent to replace.
2. This product is not a toy, keep it out of reach of children.
3. Do not slide your fingers in the dies profile.
4. Do not put your fingers in the head of the crimping tool when you slide the dies inside it. Your fingers could be pinched very severely.
5. Do not use the tool without die.
6. Please keep the tool into tooling case after finish working and ensure the crimping die out of the tool.
7. The warnings, precautions, and instructions discussed in this instruction manual cannot cover all possible conditions and situations that may occur. It must be understood by the operator that common sense and caution are factors which cannot be built into this product, but must be supplied by the operator.



SAVE THESE INSTRUCTION

UNDERSTAND YOUR TOOL

Mechanical crimping tool JT-1626B is for connecting fittings with pipe. It carries many advantages of good design, easy operation, high pressure, high efficiency and etc. It is suitable for Multi-layer Composite Pipe, PEX Pipe, PB Pipe and etc.

1. Specification

Crimping force:	30KN
Length:	520mm
Weight:	approx 2.4kg
Package:	plastic box
Accessories :	
Crimping die for U Type:	φ 16,20,25mm
Crimping die for TH Type:	φ 16,20,26mm
Note: in order to meet demand please provide appropriate size and a standard of tube when place order.	

2. Description of the components

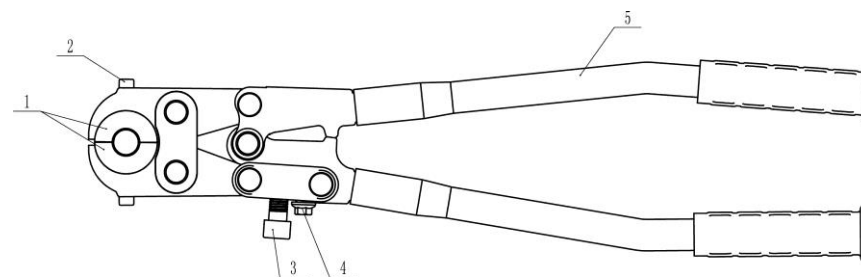


Table 1

Item no.	Description	Function
1	Die	For crimping, interchangeable crimping dies
2	Fixed screw	For fixing dies, prevent dies coming out
3	Hex screw	For adjusting tightness
4	Flange bolt	For adjusting tightness
5	Handle	For operating

OPERATING INSTRUCTIONS

Read the entire SAFETY INFORMATION section at the beginning of this manual including all text under subheadings therein before using this product.

⚠CAUTION

Please do not knock any part of the tool; otherwise it is dangerous for operator.

1. Select the appropriate die set. Ask an authorized facility or distributor to choose proper compression die set for crimping the fittings with pipe.

⚠CAUTION

Don't operate the tool without dies.

2. Open the handles completely, get the screw out, and push in the dies, tighten the screws.
3. Make sure both dies halves are secured before operating the tool.
4. Fully insert the pipe into the fittings.
5. Close the handles, the connector is crimped when the dies touch together, the crimp is completed when the handles are completely closed.
6. Open the handle completely and open the head to take out the connector for next cycle.

Please refer the illustration below:



1.



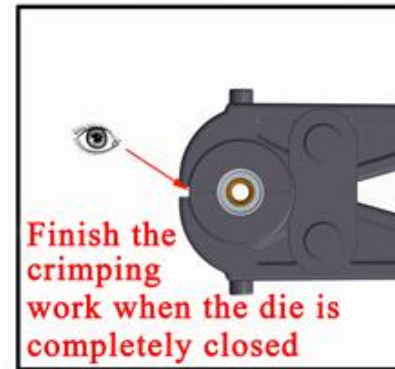
2.



3.



4.



5.



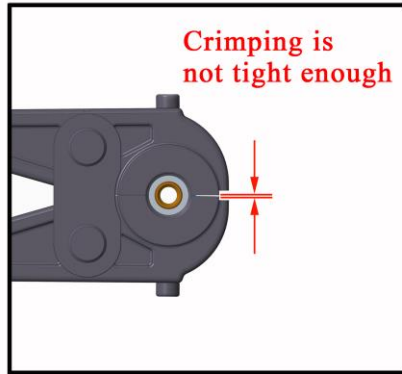
6.



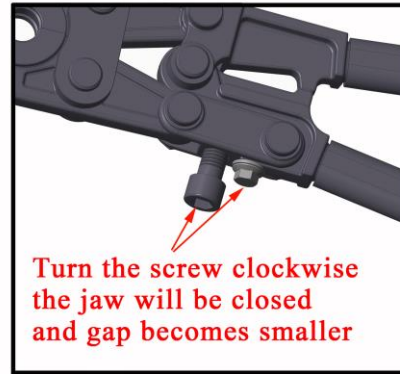
7.

⚠CAUTION

If the tool cannot crimp the connector tight enough with right dies, it means the gap of upper and down dies is too big, we have to turn the screw clockwise, the jaw will be closed and gap becomes smaller. Please refer the illustration below:



1.



2.

The die type used at optional, choose the correct type to crimp different material. The size was marked on the surface of the die. If ask for special size or special shape, please contact the distributor or manufacturer, they can custom made die according to detail requirements.

MAINTENANCE AND SERVICING

⚠WARNING

Damaged equipment may cause serious personal injury. Do not use damaged equipment. If abnormal noise or vibration occurs, have the problem corrected before further using.

1. **Before each using**, inspect the general condition of the tool. Check for loose screws, misalignment or binding of moving parts, cracked or broken parts, or any other condition that may affect its safe operation.
2. **After using**, clean external surfaces of the tool with clean, moist, smear the rust preventing oil on the metal surface of the tool and the dies to avoid rusty. Store the tool in the dry environment.
3. Service to the tool should only be done by a qualified Service Technician.

PLEASE READ THE FOLLOWING CAREFULLY

THE MANUFACTURER AND/OR DISTRIBUTOR HAS PROVIDED THE PARTS LIST AND ASSEMBLY DIAGRAM IN THIS MANUAL AS A REFERENCE TOOL ONLY. NEITHER THE MANUFACTURER NOR DISTRIBUTOR MAKES ANY REPRESENTATION OR WARRANTY OF ANY KIND TO THE BUYER THAT HE OR SHE IS QUALIFIED TO MAKE ANY REPAIRS TO THE PRODUCT, OR THAT HE OR SHE IS QUALIFIED TO REPLACE ANY PARTS OF THE PRODUCT. IN FACT, THE MANUFACTURER AND/OR DISTRIBUTOR EXPRESSLY STATES THAT ALL REPAIRS AND PARTS REPLACEMENTS SHOULD BE UNDERTAKEN BY CERTIFIED AND LICENSED TECHNICIANS, AND NOT BY THE BUYER. THE BUYER ASSUMES ALL RISK AND LIABILITY ARISING OUT OF HIS OR HER REPAIRS TO THE ORIGINAL PRODUCT OR REPLACEMENT PARTS THERETO, OR ARISING OUT OF HIS OR HER INSTALLATION OF REPLACEMENT PARTS THERETO.

LIMITED 1 YEAR WARRANTY

We make every effort to assure that its products meet high quality and durability standards, and warrants to the original purchaser that this product is free from defects in materials and workmanship for the period of one year from the date of purchase(90 days if used by a professional contractor or if used as rental equipment). This warranty does not apply to damage due directly or indirectly, to misuse, abuse, negligence or accidents, repairs or alterations outside our facilities, normal wear and tear, or to lack of maintenance. We shall in no event be liable for death, injuries to persons or property, or for incidental, contingent, special or consequential damages arising from the use of our product. Some states do not allow the exclusion or limitation of incidental or consequential damages, so the above limitation of exclusion may not apply to you. THIS WARRANTY IS EXPRESSLY IN LIEU OF ALL OTHER WARRANTIES, EXPRESS OR IMPLIED, INCLUDING THE WARRANTIES OF MERCHANTABILITY AND FITNESS.

To take advantage of this warranty, the product or part must be returned to us with transportation charges prepaid. Proof of purchase date and an explanation of the complaint must accompany the merchandise. If our inspection verifies the defect, we will either repair or replace the product at our election or we may elect to refund the purchase price if we cannot readily and quickly provide you with a replacement. We will return repaired products at our expense, but if we determine there is no defect, or that the defect resulted from causes not within the scope of our warranty, then you must bear the cost of returning the product.

The warranties give you specific legal rights and you may also have other rights which vary from different country.