

## Ballcock User Manual

I. Product Overview The floating ball valve is an automatic valve used to control the water level in a water tank or pool by automatically opening and closing the pipeline. It consists of a floating ball, connecting rod, and valve body. The floating ball valve is mainly installed at the water inlet of the water tank, and the valve is controlled automatically by the movement of the floating ball. When the water level drops to the set level, the floating ball moves down and opens the valve core, allowing water to fill the tank. When the water level rises to the set level, the floating ball moves up and closes the valve core, cutting off the water flow and ending the water replenishment process. Working principle: The floating ball of the floating ball valve always floats on the water surface. As the water level rises, the floating ball also rises and drives the connecting rod to move, thereby closing the valve. As the water level drops, the floating ball also descends and opens the valve by moving the connecting rod. This repetitive process ensures that the liquid level in the water tank is maintained at a reasonable position. Note: This product requires matching specifications for the floating ball. For details, please consult our stores.

II. Application Environment This valve can be used in industrial and residential pipelines as an automatic valve to open and close pipelines and control the liquid level of water tanks, pools, and water towers.

### III. Product Features

1. Accurate level control, unaffected by water pressure.
2. The floating ball valve can be installed at any position according to the water level and space, making it convenient for maintenance, debugging, and inspection.
3. Reliable sealing, with minimal friction on the sealing surface and longer service life.
4. Simple structure, stainless steel floating ball, corrosion-resistant.

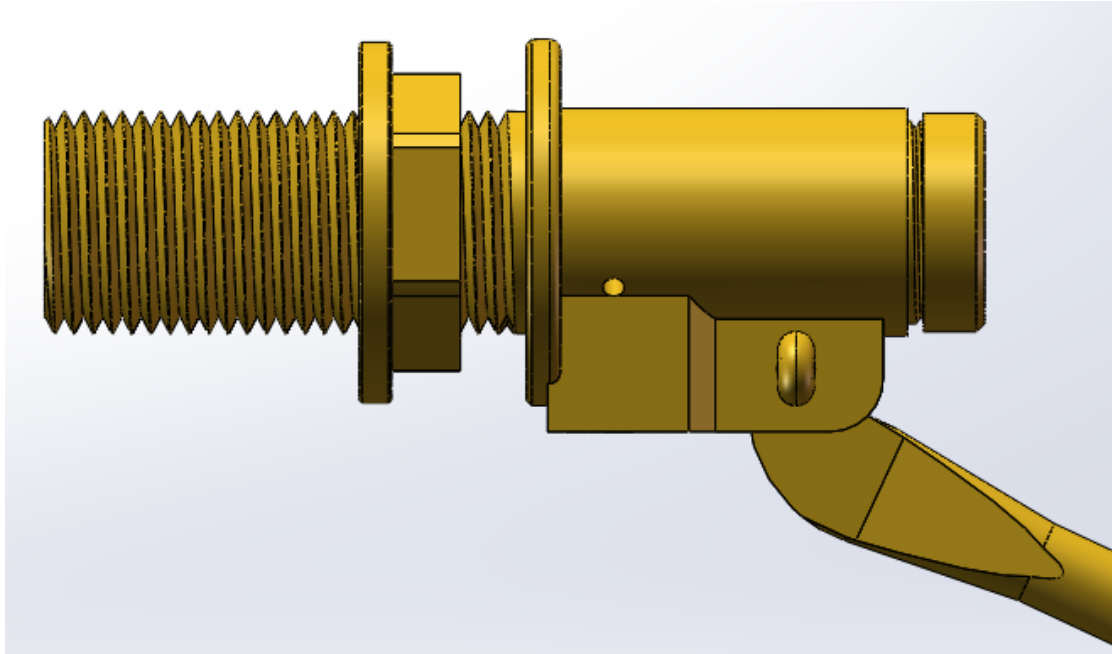
Components	Materials
Valve body, valve core, core cap, back cap	Brass
Locking cap, valve stem, pin	Brass
High/low-pressure core	Stainless steel 304
Red paper	Red paper
Rubber gasket	NBR

1. Compare the required parameters of the equipment with the rated parameters indicated on the product to ensure that the product meets the requirements.
2. The installation personnel should be trained and experienced to ensure smooth installation.
3. After installation, thorough inspection should be conducted to ensure correct installation.
4. To prevent any accidents during installation, thoroughly clean the pipeline system (if necessary, use chemical agents) to ensure that the pipeline system is clean, free from rust and dirt. Remove all pre-filters before flushing to ensure smooth pipeline flow.
5. It is recommended to install temporary pipes at the installation site before initial system cleaning. After the flushing process is completed, install the equipment into the pipeline.

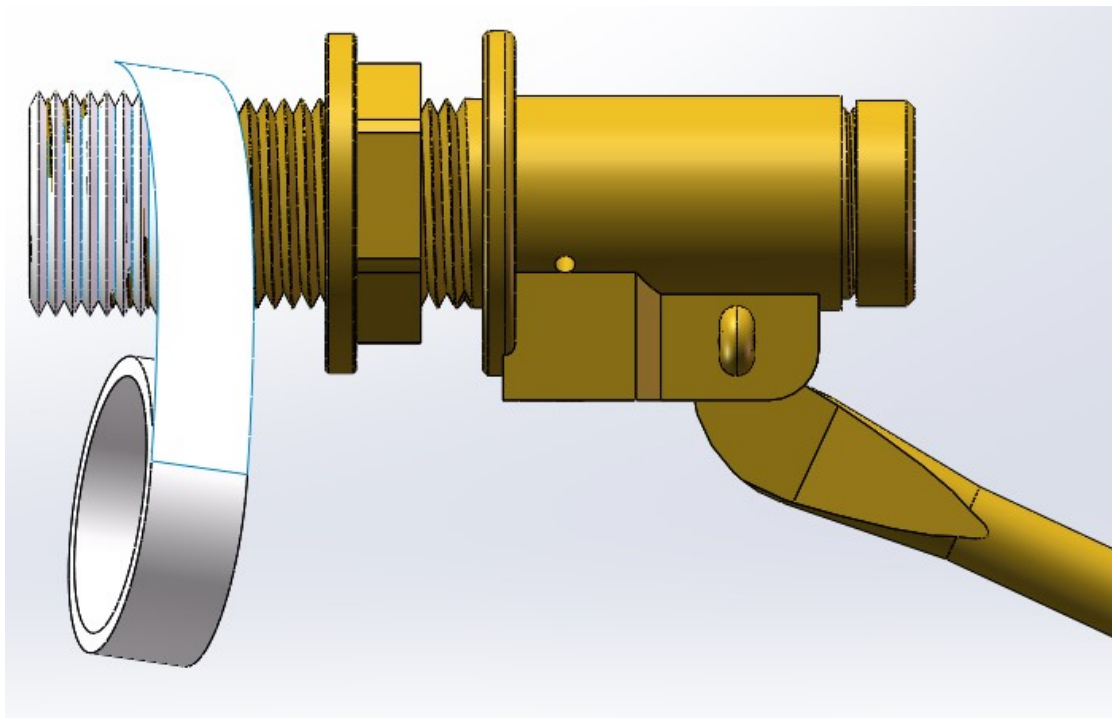
6. Note that this equipment should not be used in places where the medium contains a large amount of grease, mineral oil with high viscosity, or corrosive substances.

## VI. Installation Steps

1. Ensure the direction of the hexagonal flange cap.



2. Ensure that the end pipe threads are in good condition and free of debris, and use thread sealant to pressure seal the threads



3. The connecting pipe must be placed on the same axis, and should be placed on a straight line, these must be carefully aligned, the distance between the center must conform to the size and type of the pipe, the pipe must be kept in a straight line to avoid bending, use a wrench to lock the hexagon flange cap

