

Prior to Installation:

- Make sure you have all necessary parts by checking the diagram and parts list. If any part is missing or damaged, please contact Customer Service at customer@dowlerhome.com for a replacement.
- Turn off the hot and cold water supply at the angle stops and turn on the old faucet to release any built up pressure. Remove existing faucet. Clean sink or countertop to remove any debris, plumber's putty, or silicone.
- Flush angle stops to release any debris prior to installation.
- Pre-drilled hole size requirement: 1 3/8" (min)
- Max countertop thickness: 1 3/4"

Tools Required

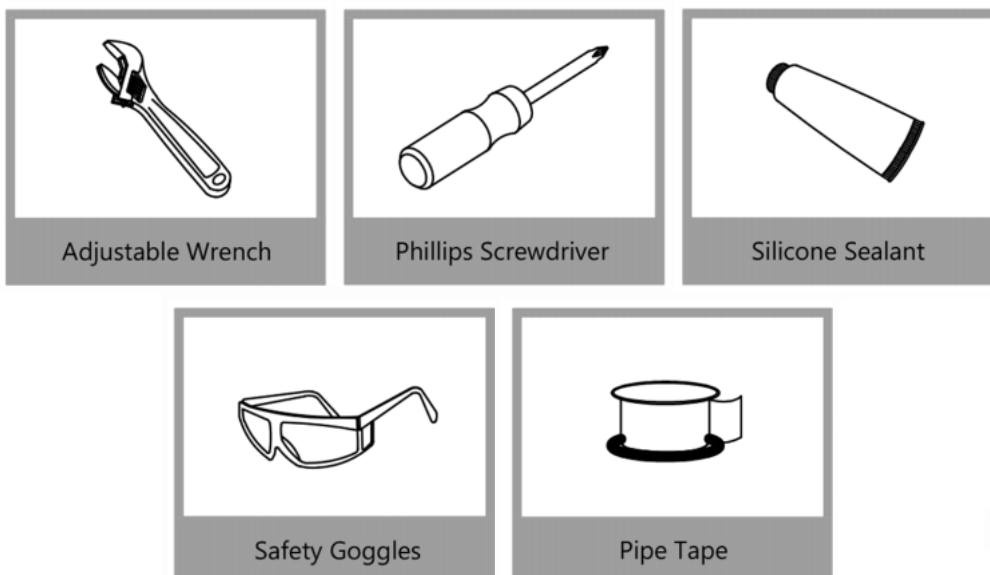
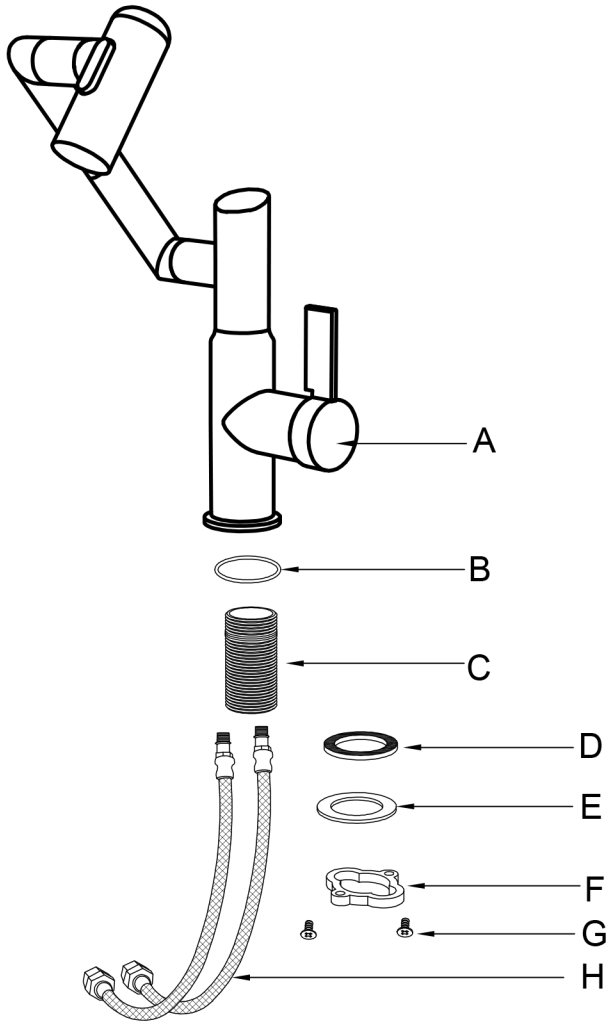
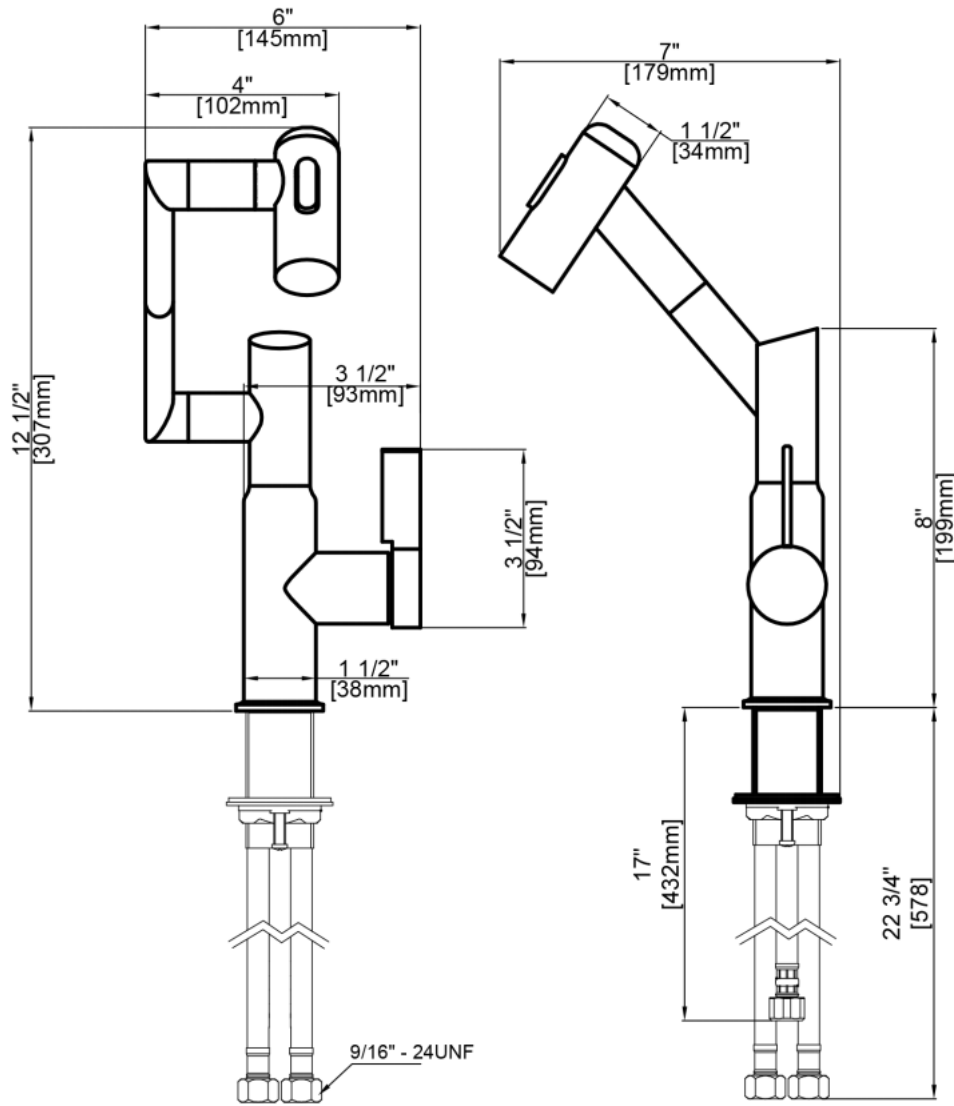


Diagram and Parts List



- A. Faucet Body
- B. Waterproof Rubber Ring
- C. Threaded Metal Pipe
- D. Rubber Gasket
- E. Metal Gasket
- F. Mounting Nut
- G. Mounting Screws
- H. Hot & Cold Water Pipes

Faucet Dimension

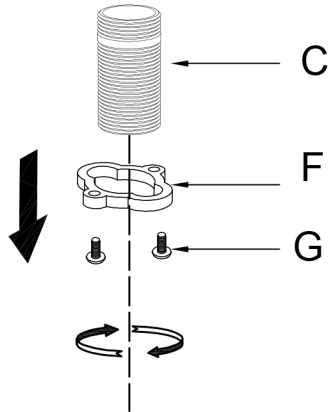


Installer Tip:

Shut off main water supply before installing new faucet.

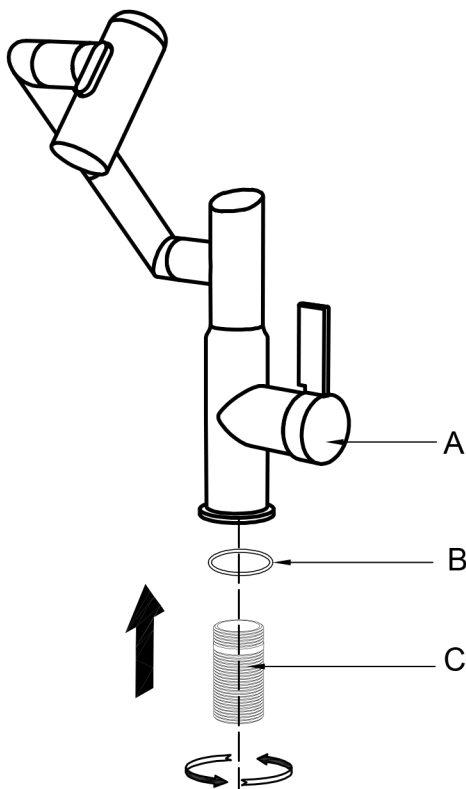
Step 1. Remove mounting hardware

Shut off the water supply. Remove the old faucet. Clean the mounting surface. Remove mounting hardware (F & G) from threaded metal pipe (C).

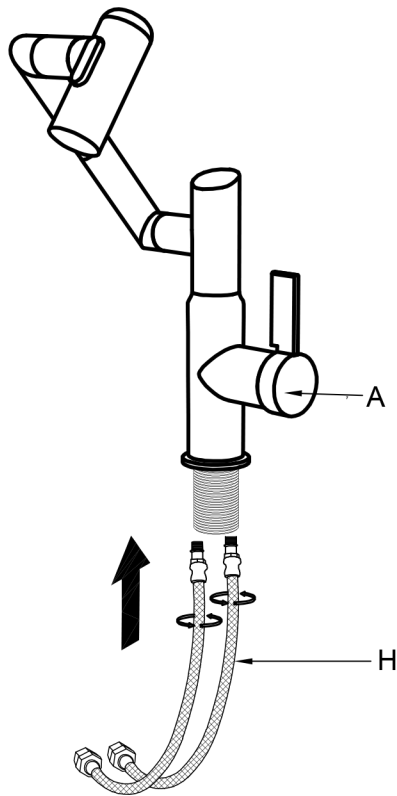


Step 2. Installing the faucet assembly

Install the waterproof rubber ring (B) and the threaded metal pipe (C) on the faucet body (A) in sequence.

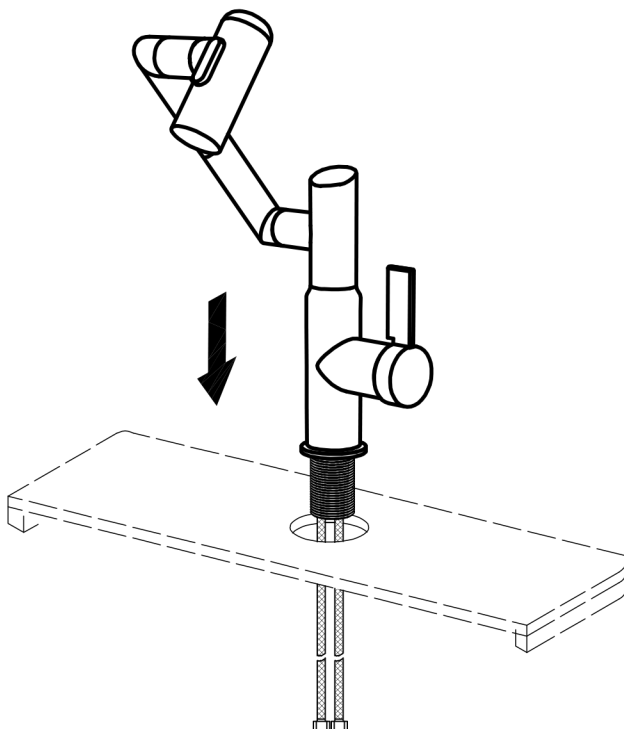


Step 3. Install hot and cold water pipes



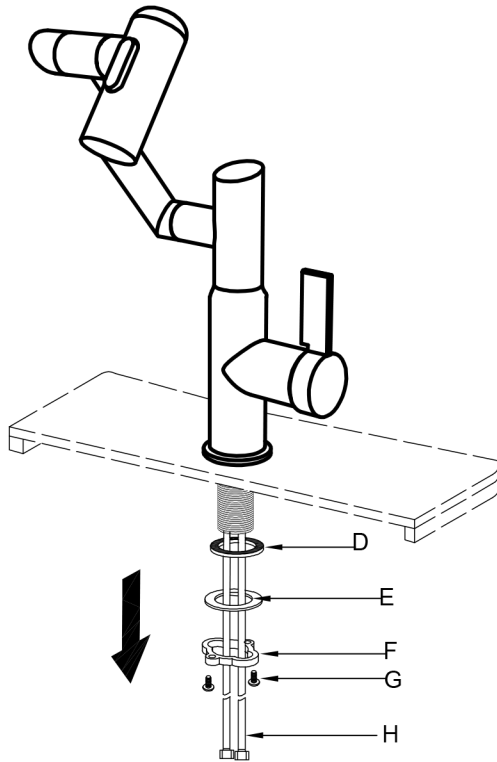
Swivel the hot and cold water pipes (H) into the faucet body (A).

Step 4. Install faucet body to countertop

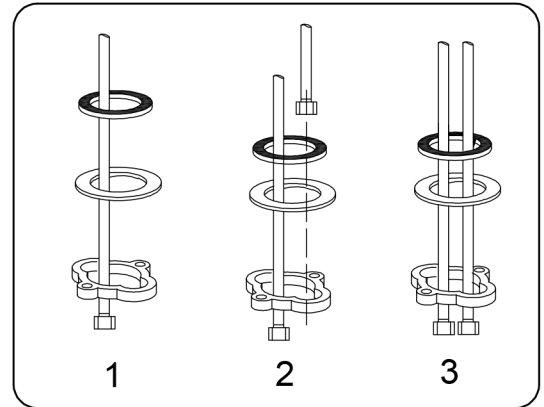


Insert faucet body through the hole in the sink or the countertop.

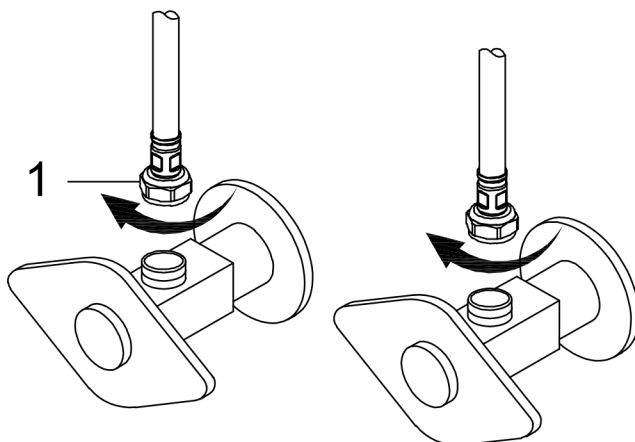
Step 5. Install mounting hardware



Pass the rubber gasket (D), metal gasket (E) and mounting hardware (F & G) through the metal pipe in turn and tighten them.
When the above assemblies through the hot and cold water pipes (H), please refer to the picture below.

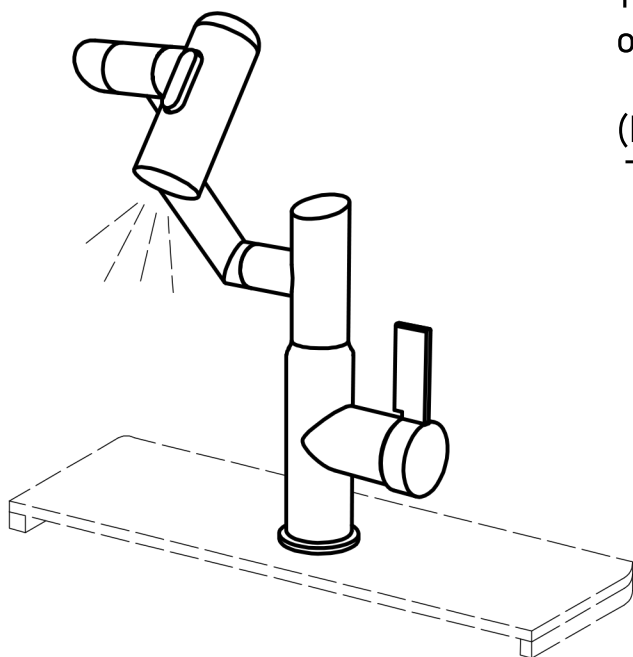


Step 6. Making the waterline connections



Thread the nut (1) on the supply line onto the outlet of the water supply valve and tighten with a wrench.
Do not overtighten.

Step 7. Turn the faucet on and check for leaks



Turn on angle stops, turn the faucet on and check for leaks.

(DO NOT TURN FAUCET ON BEFORE THE INSTALLATION IS COMPLETE)

Trouble-Shooting

If you have followed the instructions carefully and your faucet still does not work properly, take the following corrective steps:

PROBLEM	CAUSE	ACTION
Leakage under faucet handle	Bonnet nut (11) has come loose	Remove the cover button (15). Loosen set screw (14) with hex wrench (22). Remove the handle. Unscrew cap (12). Tighten bonnet nut (11) with an adjustable wrench.
The aerator has an irregular or reduced water flow	The aerator is dirty or mis-fitted	Remove the aerator and check for debris. Ensure that the rubber washer is properly installed.
The water pressure is low.	The connector underneath the deck is clogged with debris The aerator is clogged	Turn off the water supply and disconnect the connector / aerator. Unscrew the connector / aerator and clean under running water. Screw the connector / aerator back. Test water flow. If water pressure is still low then replace the connector / aerator.
There is a low flow of water.	The screen filter in the hose connectors is dirty.	Turn off the water supply at water valve and unscrew the hose connectors from water supply lines. Clean the screen in the water lines with hot water, removing any debris or calcium build up.

Care & Maintenance

To keep the product clean & shining, follow the steps below:

1. Rinse with clean water & dry with a soft cloth
2. Do not clean with soaps, acid, polish, abrasives or harsh cleaners
3. Do not use cloth with a coarse surface
4. Unscrew the aerator and clean when necessary



This installation manual is subject to change without further notice.