



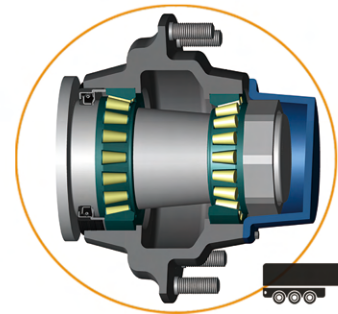
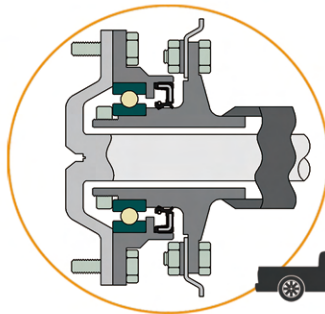
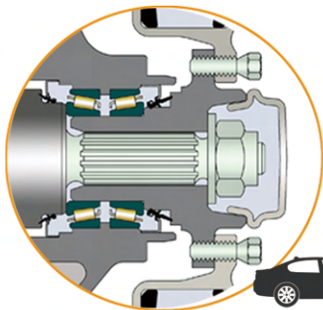
AXLE SEALS



OPTIMIZING YOUR PRODUCT PERFORMANCE
THROUGH COLLABORATIVE DESIGN

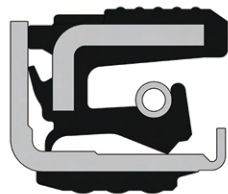
OIL SEAL PRODUCTS FOR AXLE

The axle sends power to the wheels from the engine through the transmission and differential, giving you a smooth ride. NAK provides a full range of seals for axle applications such as passenger car, pickup, commercial vehicle as well as for heavy duty truck. The axle seals are specifically engineered for rotating applications in extremely arduous environments where they withstand harsh and abrasive external media.



WHEEL HUB SEALS

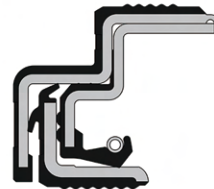
ST10



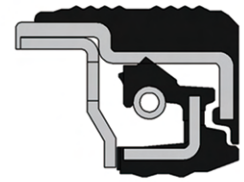
ST101



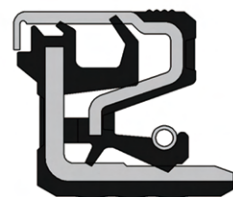
ST75



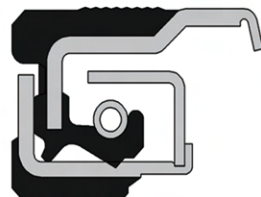
ST5



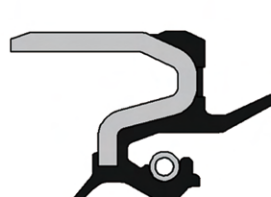
ST16



ST35



TBC95

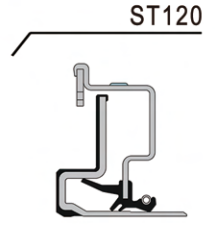
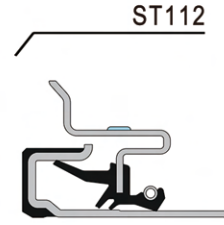
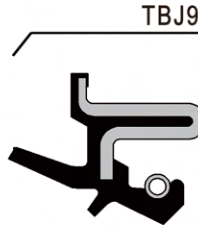
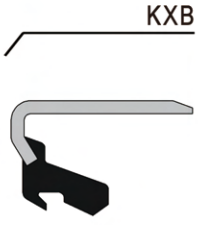




AXLE SEALS

PROPELLER SHAFT SEALS

DIFFERENTIAL SEALS

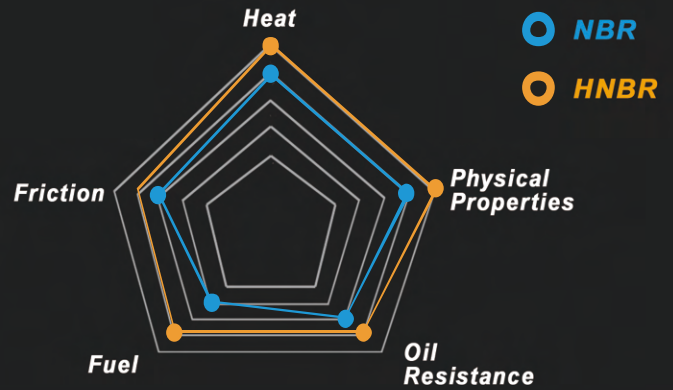


These are example types of NAK Axle Seal. For more information please contact us.

MATERIAL

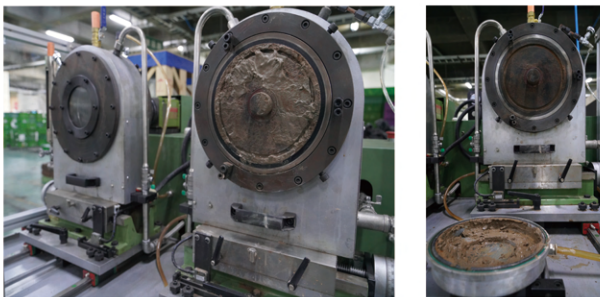
➤ Automotive axle seals mainly use NBR or HNBR.

➤ To resist in extreme temperature, higher friction, higher heat generation in the muddy environments, in many cases HNBR is replacing NBR.



RELIABILITY

DUST / MUD RESISTANT TEST



AXLE / HUB SEAL TEST



If you require any further information, please feel free to contact us at service@mail.nak.com.tw