



AUTOMOTIVE A/C COMPRESSOR SEALS

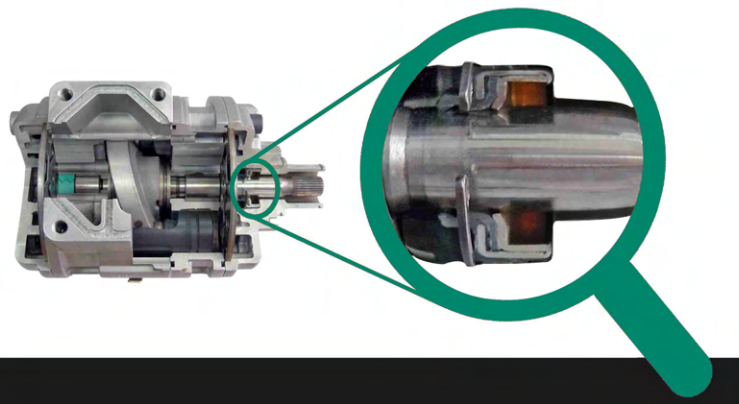
360° SUPPORT

OPTIMIZING YOUR PRODUCT PERFORMANCE
THROUGH COLLABORATIVE DESIGN



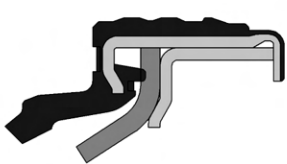
OIL SEAL PRODUCTS FOR AUTOMOTIVE A/C COMPRESSOR

The compressor is the heart of automotive air conditioning system which is designed to make the driver and passengers feel more comfortable during muggy, hot, or stuffy trips in a vehicle. Due to the fact some refrigerants were leading to ozone depletion in the atmospheric layer, people found new refrigerants intending to reduce and eliminate the contaminants with an impact on greenhouse effect. The new refrigerants also accompanied the use of corrosive lubrication and higher operating temperature conditions.

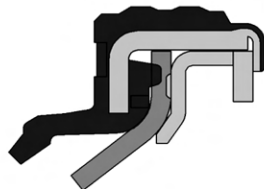


AUTOMOTIVE A/C COMPRESSOR SEALS

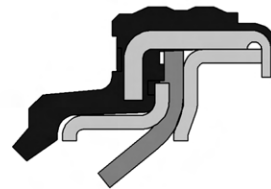
VGA2



VGA3R



VGA17



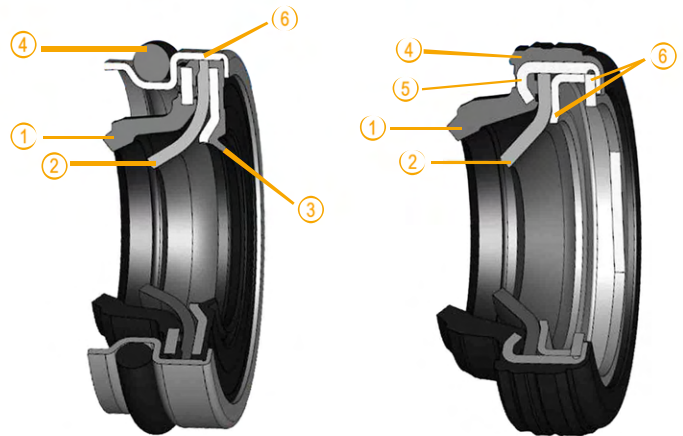
VGA19



*These are example types of NAK Automotive A/C Compressor Seal.
For more information please contact us.*

MATERIAL

- Automotive A/C compressor seals mainly use HNBR and PTFE.
- NAK provides customized requirements and demands according to variety application.



- ① Primary 1st lip: HNBR has effective resistance against refrigerants and refrigeration lubricants and also has excellent temperature resistance range from -40°C to 150°C.
- ② Primary 2nd lip: This high performance lip is made of PTFE to seal refrigerants inside the compressor and to prevent primary 1st lip wear when rotating in high speed.
- ③ Dust lip: To prevent dust and mud from invading the compressor.
- ④ O-ring / bonded rubber O.D: Made of HNBR for static sealing to prevent leakage of refrigerants inside the compressor.
- ⑤ Case: Usually in SPCC metals which are phosphate, coated with adhesion of rubber.
- ⑥ Case: Usually in SPCC metals which are phosphate, coated with zinc plated to avoid case corroding.

RELIABILITY

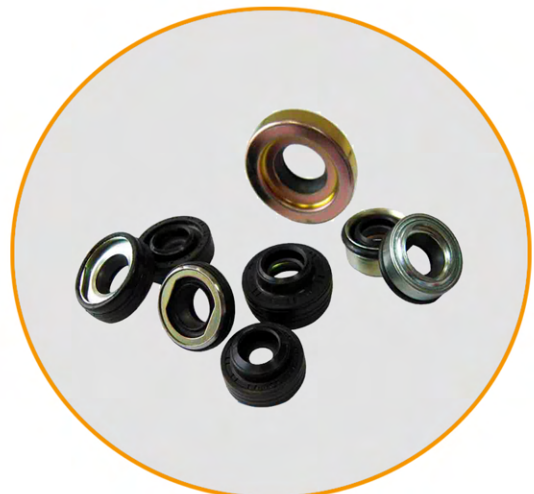
Size: shaft Ø11~ Ø16; bore Ø23~ Ø30

Temperature: -40°C to 150°C

Media: refrigerants and refrigeration lubricants

Pressure: 1~6 bar

Speed: 800~10,000 rpm, rotary



If you require any further information, please feel free to contact us at service@mail.nak.com.tw