



KAWASAKI MULE PRO FX

HALF DOOR KIT

Your enclosure is made of heavy duty fabric that is water repellent and resistant to mildew, ultra-violet rays and abrasion.

Surface Preparation Instructions and Guidelines

Cleaning: To achieve a strong bond between Velcro adhesive and UTV surface, you must clean the surface. Use a mixture of 50% alcohol and 50% water to remove dirt, mud and dust from roll bars and plastic body components. Let dry. Repeat this process 3 times.

The adhesive hook should be applied at a temperature of 70 degrees or above.

Bond between UTV and adhesive hook is dependent upon the amount of adhesive to surface contact development. Firm application pressure develops a better adhesive contact and improves bond strength.

After application, the bond strength increases and approaches the ultimate bond strength after 72 hours. Bond strength build up: 20 min equals 50% bond strength, 1 hour equals 75% bond strength, one day equals 90% bond strength, and 3 days equals 100% bond strength.

More tips for installation.

Two is better than one: We recommend a second person be involved for the installation process. Getting the panel in the correct position takes some pulling and tugging, we find the process runs smoother when two people are involved.

Test adhesion: Use a small piece of Velcro, remove backing and adhere to roll bars. Wait 20 minutes, Velcro should already be difficult to remove.

Still having trouble with adhesion: If Velcro is still not adhering to the roll bars, use a piece of hook (rough side of Velcro) to "rough up" the surface of your roll bar. We do not recommend this for the plastic body of your UTV, it will scratch.

Unsure about Velcro placement: With-out removing the white backing, attach the Velcro to your enclosure panel. Hold panel up to the UTV and note the area that the Velcro should attach. You can use the double-sided straps with-out Velcro to help hold up the panel while you remove the white backing and adhere sticky Velcro. We will send extra Velcro that can be used to hold the enclosure to the cab frame for easy notation of Velcro placement.

Attaching panel: Attach the panel top first, then work your way around the panel pulling the tabs and sticking them to the corresponding adhesive Velcro. The Webbing (black trim) of the panel should align to the middle of the roll bar.

Installing with Windshield and Hard Top.

If you have a windshield and or hard top on your UTV, you will need to remove it before installing the door and rear panel. After the installation of your enclosure is complete you will then reinstall the windshield and hard top.

If clamps for the windshield or hard top are interfering with the sewn-on Velcro tabs or straps on your enclosure, you can modify the tabs and straps easily by cutting them to fit. Mark where the tabs need to be cut to accommodate your windshield or hard tops clamps or bolts. Cut the tabs and burn the edges with a lighter to prevent unraveling. Do not cut into the binding (darker black trim around your door panel).

Installation Instructions

Step 1: Remove your 3SI UTV Cab Enclosure and Velcro kit from the shipping box.

Step 2: Remove existing windshield and hard top.

Step 3: Clean all surfaces on which you will be placing the adhesive Velcro according to the surface preparation instructions. Wait until the surfaces are dry.

Step 4: Remove the backing from the adhesive hook strips and install as indicated in the following adhesive hook table and pictures. Press firmly.

Step 5: Wait 72 hours! This step is very important to the life of your Velcro. Waiting the full 72 hours will ensure that your Velcro and enclosure will stay on in rain, sleet, snow or mud.

Step 6: After all adhesive Velcro strips are attached, begin attaching each panel to the cab frame.

Step 7: After all panels are attached work your way around the UTV remove, pull, and reattach, each Velcro tabs to achieve a tight fit. You may need to do this a few times.

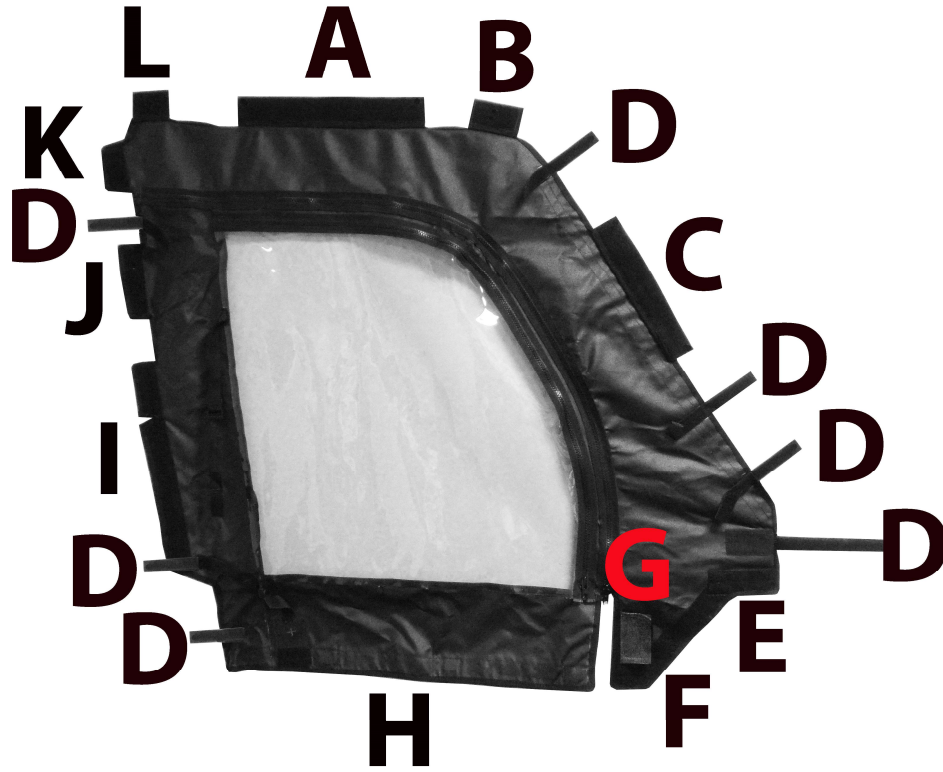
Step 8: When your enclosure is in the correct position the binding or trim around the panels will rest in the center of the roll bar. If you have a windshield the binding, will rest along the edge of your windshield.

Step 9: Re-install your windshield, and hard top.

See enclosed Product Care sheet for instructions on how to properly care for your 3SI UTV Enclosure.

Half Door Panels

Pictures show the sewn on Velcro tabs and straps that correspond to the Velcro chart. Attach rear door panel first.



INSIDE DRIVERS SIDE DOOR



INSIDE PASSENGER SIDE DOOR

ADHESIVE HOOK TABLE

Door Kit

Reference	Quantity/Size	Placement/Usage
A	2-15"	Attach to the top side roll bar facing the interior of the machine. (Figure 1)
B	2-4"	Attach to top side roll bar in front of the top front cross bar. (Figure 2)
C	2-12"	Attach to the front roll bar. (Figure 3)
D	12-6"	Wrap these strips around the roll bar. (Figure 3)
E	2-4"	Attach to the outside fender of the UTV. (Figure 4)
F	2-8"	Attach to the outside fender below strip E. (Figure 4)
G	2-6"	Attach to the outside floor of the UTV. (Figure 4)
H	n/a	Adhesive magnet pack is included. Remove white backing from the pack and attach to the inside of the factory half door. Corresponding magnets are sewn into soft door. (Figure 4)
I	2-17"	Attach Velcro to the back of the roll bar. (Figure 5)
J	2-6"	Attach Velcro to the back of the roll bar. (Figure 5)
K	2-4"	Attach Velcro to the back of the roll bar. (Figure 5)
L	2-3"	Attach this strip to the top of the metal bracket where the top rear cross bar meets the rear roll bar. (Figure 6)

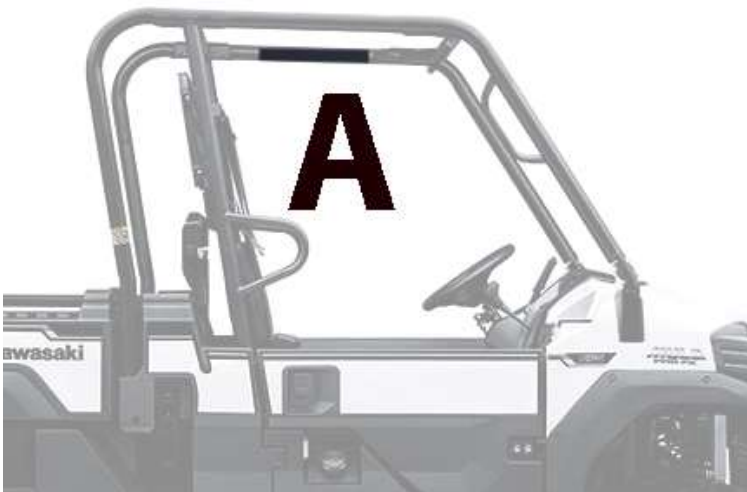


Figure 1: Shows placement of 15" Velcro strip A. Velcro tab on the door will go up and around the top of the roll bar and attach to adhesive strip.



Figure 2: Shows placement of 4" Velcro strips B. Tab B will also go up and around the top roll bar and attach to adhesive strip.

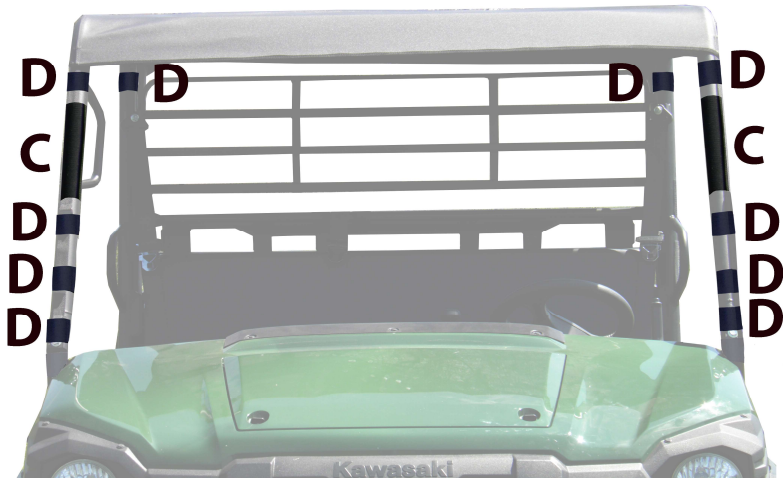


Figure 3: Shows placement of 12" and 6" Velcro strips C and D. The tabs on the front of your doors will wrap around the front of the roll bar and attach to the Velcro strip. Strips D are for the double sided straps that wrap around the roll bar.

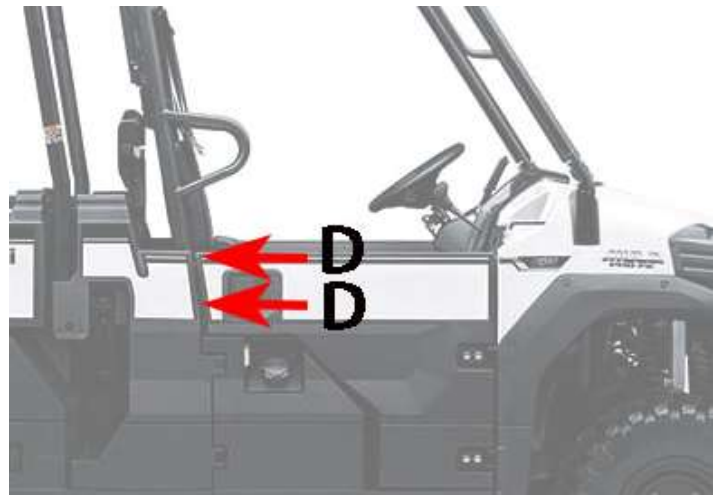


Figure 4: Place adhesive Velcro around the roll bars on the inside of the UTV.

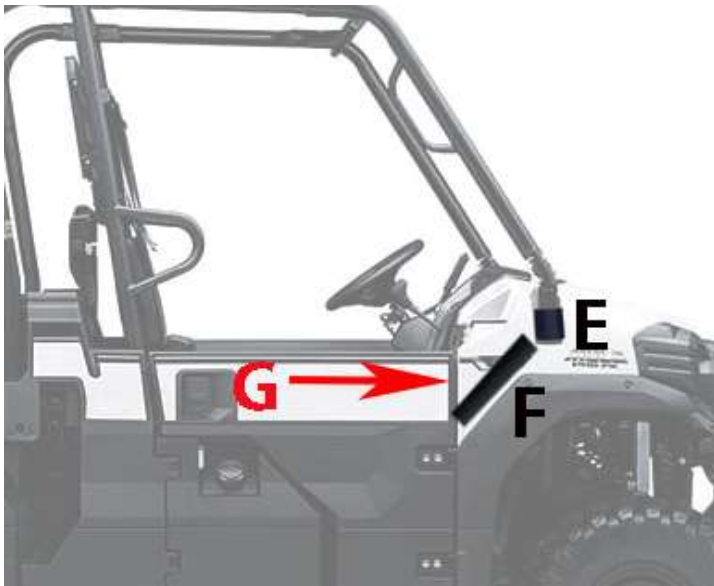


Figure 5: Shows placement of Velcro strips E, F and G. Strip G will be placed between the door and the fender.



Figure 6: Peel off white backing on magnet strip and stick to inside of the factory half door.



Figure 7: Photo shows the location of the adhesive Velcro on the back roll bars.



Figure 8: Shows position of Velcro strip L. Place on the top of the metal bracket and pull tab up and over to meet the strip.





Care Instructions

Heavy Duty Marine and Mil-Spec Military Fabric Cleaning

All 3SI UTV Enclosure Heavy Duty Marine and Military Camo fabrics are guaranteed against excessive loss of color or strength under normal exposure and use conditions. Periodic cleaning with a solution of 4 ounces of bleach and 2 ounces of soap (NOT DETERGENTS) in one gallon of water is recommended to minimize accumulations of dirt, bird droppings and other contaminants which can support surface mildew and stain fabric.

Soft Vinyl Window Cleaning

3SI UTV Enclosure Vinyl Windows will remain clear and provide great visibility under normal exposure conditions if properly cleaned. Periodic cleaning with a solution of 1 ounce of soap in one gallon of water is all that is needed to maintain good window cleanliness and visibility. Caution: DO NOT USE ANY DETERGENTS, WINDOW CLEANERS, SOLVENTS or CHEMICALS OF ANY KIND TO CLEAN VINYL WINDOWS AS THESE WILL CLOUD THE WINDOWS. ALSO, NEVER RUB WINDOWS WITH A DRY CLOTH OR RAG.

Storage Recommendations

Before removing the 3SI UTV Enclosure from your vehicle for storage, clean the Fabric and Vinyl Windows thoroughly as indicated above. Any dirt remaining on the Enclosure may scratch Vinyl Windows while in storage. Once the Enclosure has been cleaned it should be placed on a large flat surface. Lay the Enclosure out so that Vinyl Windows are in a flat position. Fold the doors over the rear panel first then fold the top and windshield on top of the doors keeping the Vinyl Windows flat. Caution: **FOLDING VINYL WINDOWS WILL CAUSE PERMANENT CREASE DAMAGE AND WILL VOID ALL WARRANTIES.** Once the Enclosure is folded keeping all Vinyl Windows flat, begin rolling the Enclosure into an 8" roll. Place the 8" roll into a box and store at normal room temperature. To ensure long life of your enclosure it is best not to store in extreme temperatures.

Hauling

The ONLY products manufactured by 3SI UTV that can be hauled while installed are the hard windshields, full cab enclosures, and door/rear window combos with top and windshield installed. **However, the full cab enclosures and door/rear window combos should be tied down before hauling.** Speed should not exceed 55 mph while hauling to prevent ripping and shredding of the material and zippers. NEVER HAUL INSTALLED SOFT TOPS, WINDSHIELD TOP COMBOS, AND SUMMER CABS. **REMOVE BEFORE HAULING.**