



# INDUSTRIES

# INTIMIDATOR HALF DOOR

Your enclosure is made of heavy duty fabric that is water repellent and resistant to mildew, ultra-violet rays and abrasion.

## Surface Preparation Instructions and Guidelines

**Cleaning:** To achieve a strong bond between Velcro adhesive and UTV surface, you must clean the surface. Use a mixture of 50% alcohol and 50% water to remove dirt, mud and dust from roll bars and plastic body components. Let dry. Repeat this process 3 times.

The adhesive hook should be applied at a temperature of 70 degrees or above.

Bond between UTV and adhesive hook is dependent upon the amount of adhesive to surface contact development. Firm application pressure develops a better adhesive contact and improves bond strength.

After application, the bond strength increases and approaches the ultimate bond strength after 72 hours. Bond strength build up: 20 min equals 50% bond strength, 1 hour equals 75% bond strength, one day equals 90% bond strength, and 3 days equals 100% bond strength.

### More tips for installation.

**Two is better than one:** We recommend a second person be involved for the installation process. Getting the panel in the correct position takes some pulling and tugging, we find the process runs smoother when there are two people pulling.

**Test adhesion:** Use a small piece of Velcro, remove backing and adhere to roll bars. Wait 20 minutes, Velcro should already be difficult to remove.

**Still having trouble with adhesion:** If Velcro is still not adhering to the roll bars, use a piece of hook (rough side of Velcro) to “rough up” the surface of your roll bar. We do not recommend this for the plastic body of your UTV, it will scratch.

**Unsure about Velcro placement:** With-out removing the white backing, attach the Velcro to your enclosure panel. Hold panel up to the UTV and note the area that the Velcro should attach. You can use the double-sided straps with-out Velcro to help hold up the panel while you remove the white backing and adhere sticky Velcro. We will send extra Velcro that can be used to hold the enclosure to the cab frame for easy notation of Velcro placement.

**Attaching panel:** Attach the panel top first, then work your way around the panel pulling the tabs and sticking them to the corresponding adhesive Velcro. The webbing (black trim) of the panel should align to the middle of the roll bar.

## Installing with Windshield and Hard Top.

If you have a windshield and or hard top on your UTV, you will need to remove them before installing the door panels. After the installation of your enclosure is complete you will then reinstall the windshield and hard top.

If clamps for the windshield or hard top are interfering with the sewn-on Velcro tabs or straps on your enclosure you can modify the tabs and straps easily by cutting them to fit. Mark where the tabs need to be cut to accommodate your windshield or hard tops clamps or bolts. Cut the tabs and burn the edges with a lighter to prevent unraveling. Do not cut into the binding (darker black trim around your door panel).

## Installation Instructions

**Step 1:** Remove your 3SI UTV Cab Enclosure and Velcro kit from the shipping box.

**Step 2:** Remove existing windshield and hard top.

**Step 3:** Clean all surfaces on which you will be placing the adhesive Velcro according to the surface preparation instructions. Wait until the surfaces are dry.

**Step 4:** Remove the backing from the adhesive hook strips and install as indicated in the following adhesive hook table and pictures. Press firmly.

**Step 5: Wait 72 hours!** This step is very important to the life of your Velcro. Waiting the full 72 hours will ensure that your Velcro and enclosure will stay on in rain, sleet, snow or mud.

**Step 6:** After all adhesive Velcro strips are attached, begin attaching each panel to the cab frame.

**Step 7:** After all panels are attached work your way around the UTV remove, pull, and reattach each Velcro tab to achieve a tight fit. You may need to do this a few times.

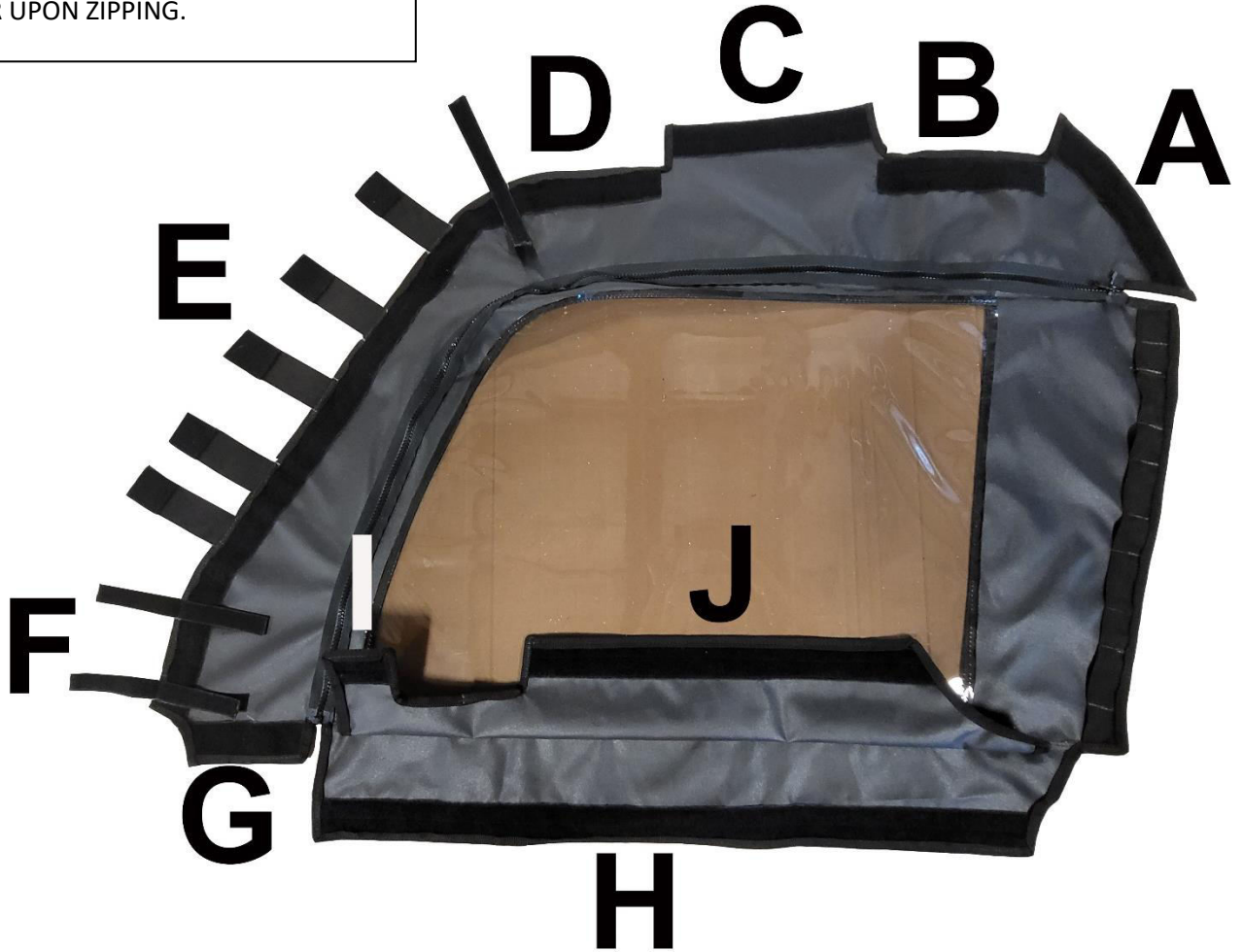
**Step 8:** When your enclosure is in the correct position the binding or trim around the panels will rest in the center of the roll bar. If you have a windshield the binding, will rest along the edge of your windshield.

**Step 9:** Re-install your windshield and hard top.

**See enclosed Product Care sheet for instructions on how to properly care for your 3SI UTV Enclosure.**

**DOOR KIT**

YOUR DOOR KIT WILL HAVE  
MAGNETS SEWN INTO THE BACK, THE  
MAGNETS WILL ATTACH TO THE ROLL  
BAR UPON ZIPPING.



REFERENCE	QTY/SIZE	PLACEMENT
A	2-11"	ON THE BACK OF THE TOP SIDE ROLL BAR.
B	2-9"	ON THE SIDE OF THE TOP SIDE ROLL BAR.
C	2-12"	IN THE CENTER OF THE TOP SIDE ROLL BAR ON THE INSIDE OF THE UTV.
D	2-11"	ON THE FRONT OF THE TOP SIDE ROLL BAR.
E	2-26"	DOWN THE SIDE OF THE FORWARD FACING ROLL BAR.
F	2-7"	ON THE LOWER PART OF THE FORWARD FACING ROLL BAR AND ON THE FENDER.
G	2-7"	ON THE FENDER.
H	2-36"	ON THE OUTSIDE OF THE FACTORY HALF DOOR.
I	2-3"	ON THE INSIDE OF THE FACTORY DOOR.
J	2-21"	ON THE INSIDE OF THE FACTORY DOOR.

### 1: CLEAN!

Rub down all areas where Velcro is to be placed with alcohol and let dry. Then clean it again and let dry. Then clean it again and let dry. This is so important and will extend the life of your Velcro.



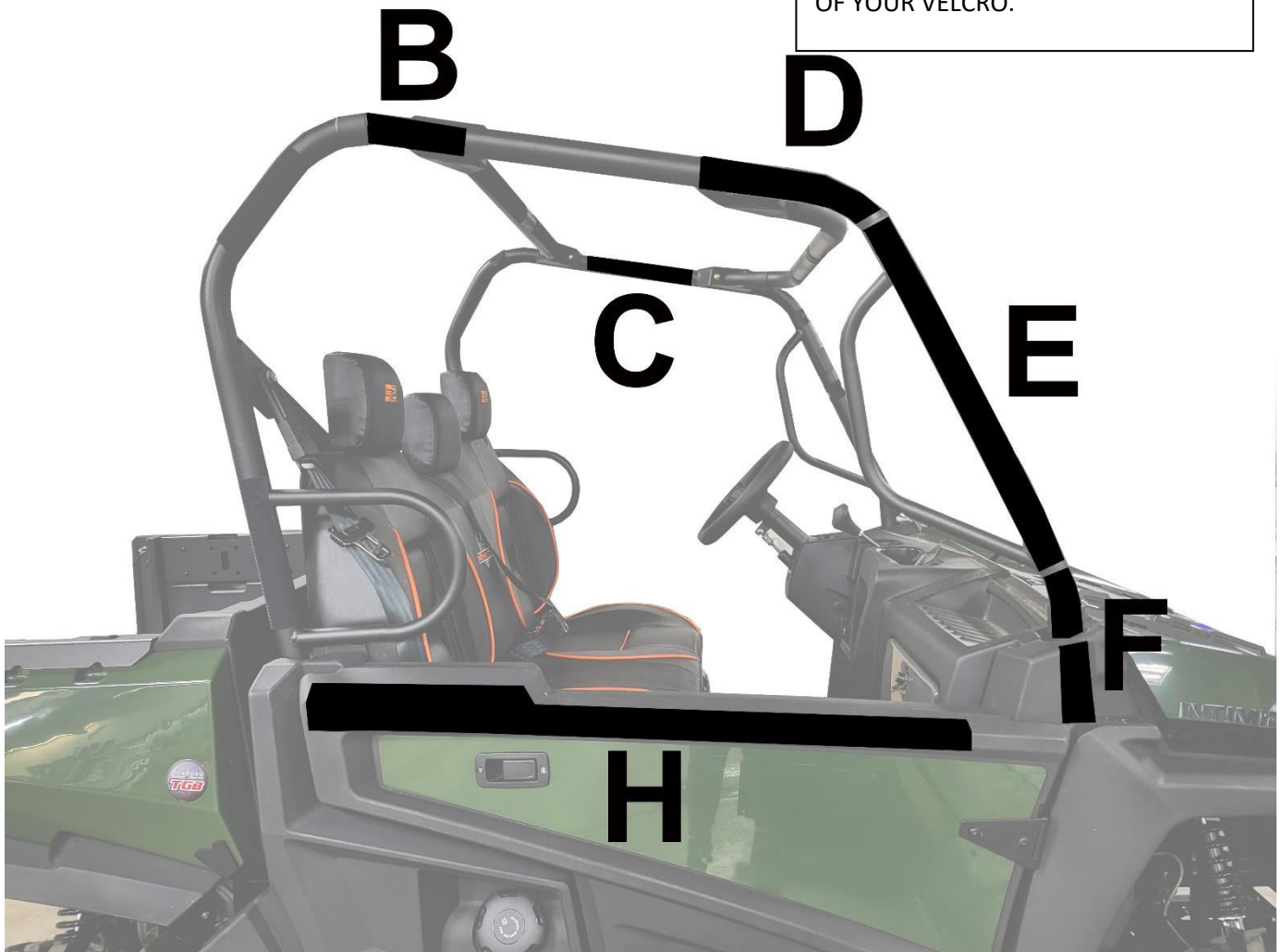
### 2: HEAT!

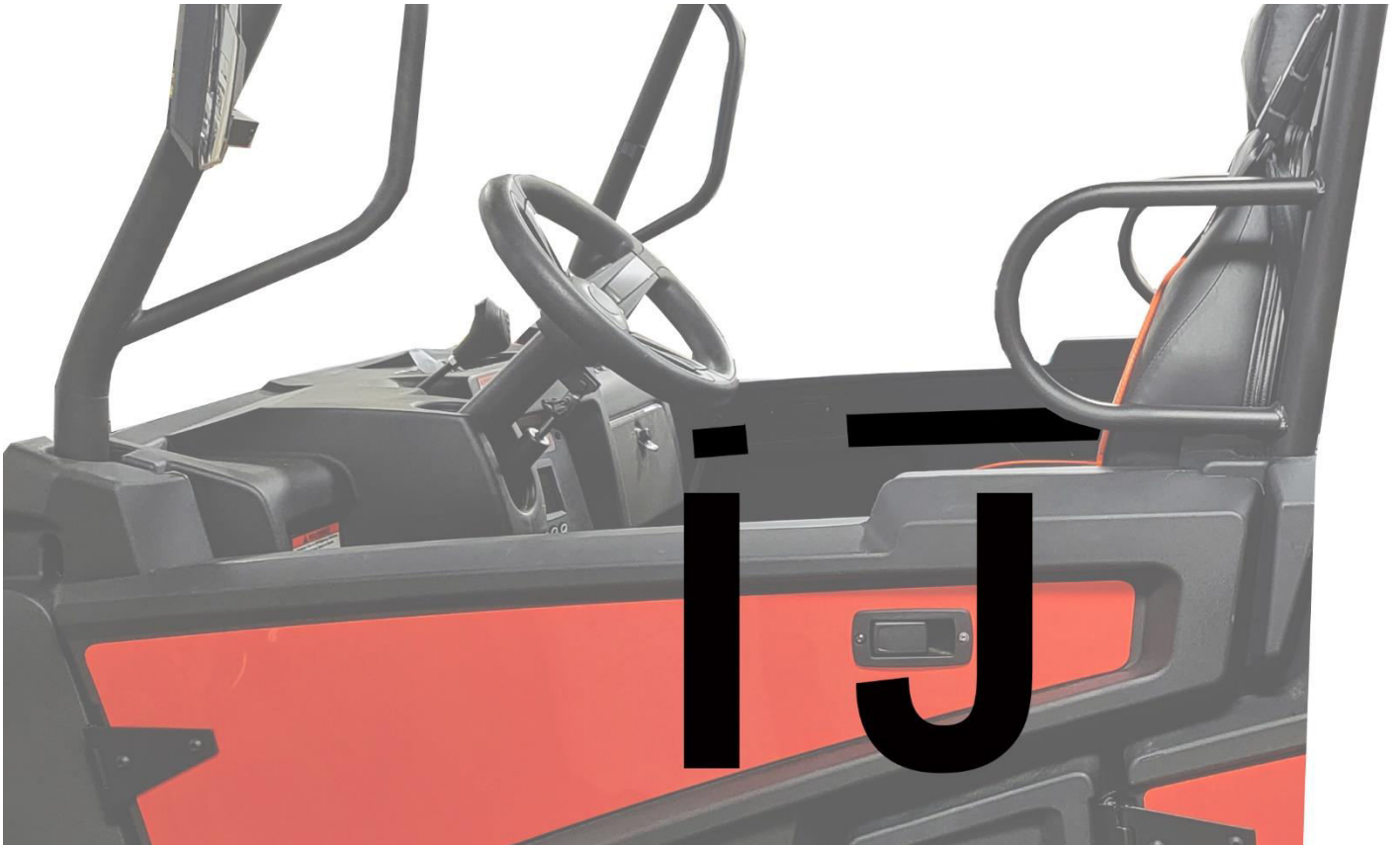
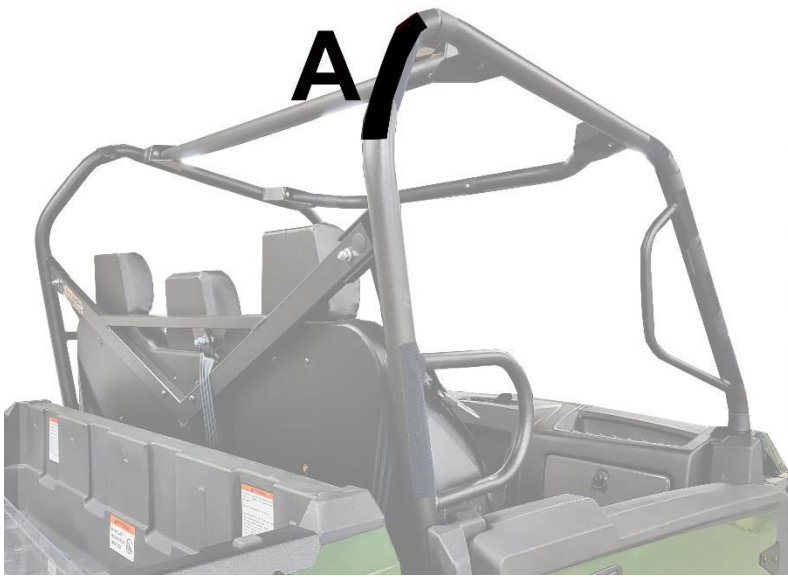
The adhesive backing on your Velcro will harden in cold temperatures. If the adhesive is not sticky when you remove the backing you will need to heat the Velcro with a hair dryer or place it over a heating vent inside your house. And I have to say it: **DO NOT MICROWAVE OR PLACE IN OVEN!**

### 3: INSTALL VELCRO

Begin installing Velcro in various positions on your UTV.

CUTTING THE LONGER STRIPS OF ADHESIVE VELCRO INTO SMALLER STRIPS WILL HELP INCREASE THE LIFE OF YOUR VELCRO.







#### 4: INSTALL DOOR KIT

Attach door kits tabs and straps to adhesive Velcro. Detach, pull, and reattach tabs and straps as needed to achieve a tight fit.





## Care Instructions

### Heavy Duty Marine and Mil-Spec Military Fabric Cleaning

All 3SI UTV Enclosure Heavy Duty Marine and Military Camo fabrics are guaranteed against excessive loss of color or strength under normal exposure and use conditions. Periodic cleaning with a solution of 4 ounces of bleach and 2 ounces of soap (NOT DETERGENTS) in one gallon of water is recommended to minimize accumulations of dirt, bird droppings and other contaminants which can support surface mildew and stain fabric.

### Soft Vinyl Window Cleaning

3SI UTV Enclosure Vinyl Windows will remain clear and provide great visibility under normal exposure conditions if properly cleaned. Periodic cleaning with a solution of 1 ounce of soap in one gallon of water is all that is needed to maintain good window cleanliness and visibility. Caution: DO NOT USE ANY DETERGENTS, WINDOW CLEANERS, SOLVENTS or CHEMICALS OF ANY KIND TO CLEAN VINYL WINDOWS AS THESE WILL CLOUD THE WINDOWS. ALSO, NEVER RUB WINDOWS WITH A DRY CLOTH OR RAG.

### Storage Recommendations

Before removing the 3SI UTV Enclosure from your vehicle for storage, clean the Fabric and Vinyl Windows thoroughly as indicated above. Any dirt remaining on the Enclosure may scratch Vinyl Windows while in storage. Once the Enclosure has been cleaned it should be placed on a large flat surface. Lay the Enclosure out so that Vinyl Windows are in a flat position. Fold the doors over the rear panel first then fold the top and windshield on top of the doors keeping the Vinyl Windows flat. Caution: **FOLDING VINYL WINDOWS WILL CAUSE PERMANENT CREASE DAMAGE AND WILL VOID ALL WARRANTIES.** Once the Enclosure is folded keeping all Vinyl Windows flat, begin rolling the Enclosure into an 8" roll. Place the 8" roll into a box and store at normal room temperature. To ensure long life of your enclosure it is best not to store in extreme temperatures.

### Hauling

The ONLY products manufactured by 3SI UTV that can be hauled while installed are the hard windshields, full cab enclosures, and door/rear window combos with top and windshield installed. **However, the full cab enclosures and door/rear window combos should be tied down before hauling.** Speed should not exceed 55 mph while hauling to prevent ripping and shredding of the material and zippers. NEVER HAUL INSTALLED SOFT TOPS, WINDSHIELD TOP COMBOS, AND SUMMER CABS. REMOVE BEFORE HAULING.

