



# CFMOTO Z FORCE DOOR INSERTS

Hardware Kit		
Hardware	Description	Qty
	SILVER SCREWS	6
	10" VELCRO STRAP	2
	ADHESIVE HOOK	120"
	ADHESIVE LOOP	120"

**TOOLS NEEDED: DRILL**

**PASSENGER SIDE PANEL**



**LOWER PANEL**

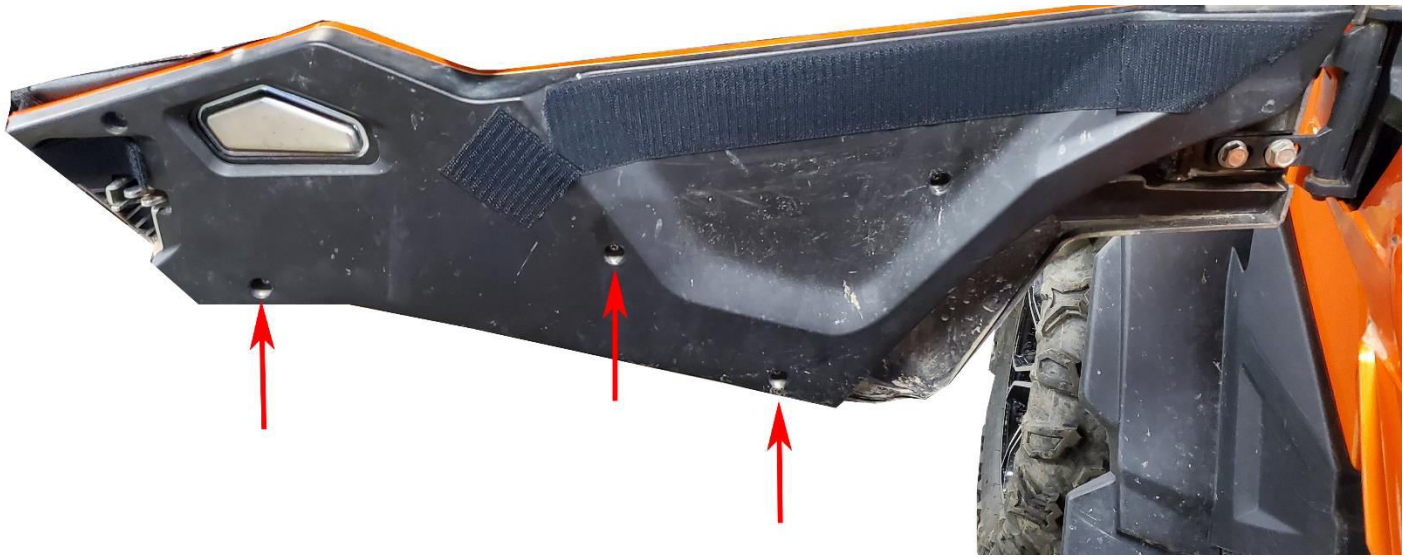


**DRIVERS SIDE PANEL**



### 1: REMOVE SCREWS FROM QUARTER DOOR

Remove the three screws located on the inside of the quarter door.



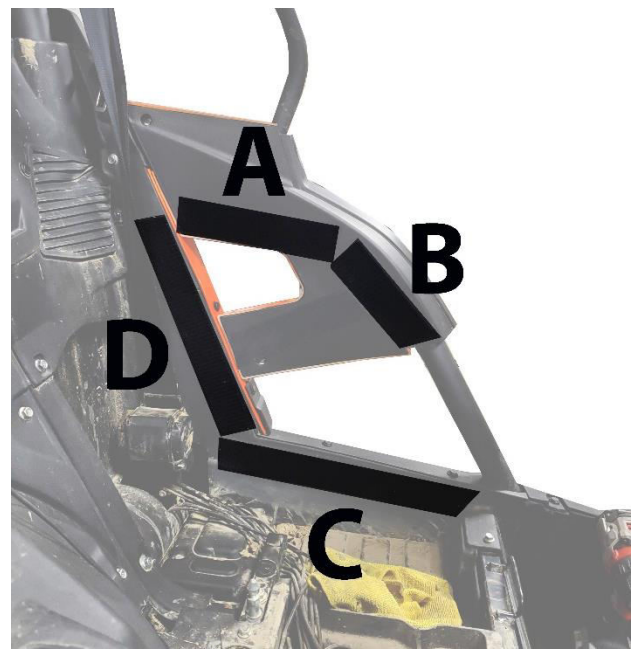
### STEP 2: INSTALL LOWER PANEL

Peel protective paper down on both sides enough to expose the slot holes. Line up pre-cut holes in lexan with factory drilled holes in lexan. Using a drill insert silver screws through the lexan and drill into factory drilled holes.



### STEP 3: PLACE ADHESIVE LOOP FOR SIDE PANEL

ADHESIVE LOOP		vn in
A	2-9	
B	2-9	
C	YOU MAY NEED TO CUT THESE PIECES INTO SMALLER PIECES!	
D		

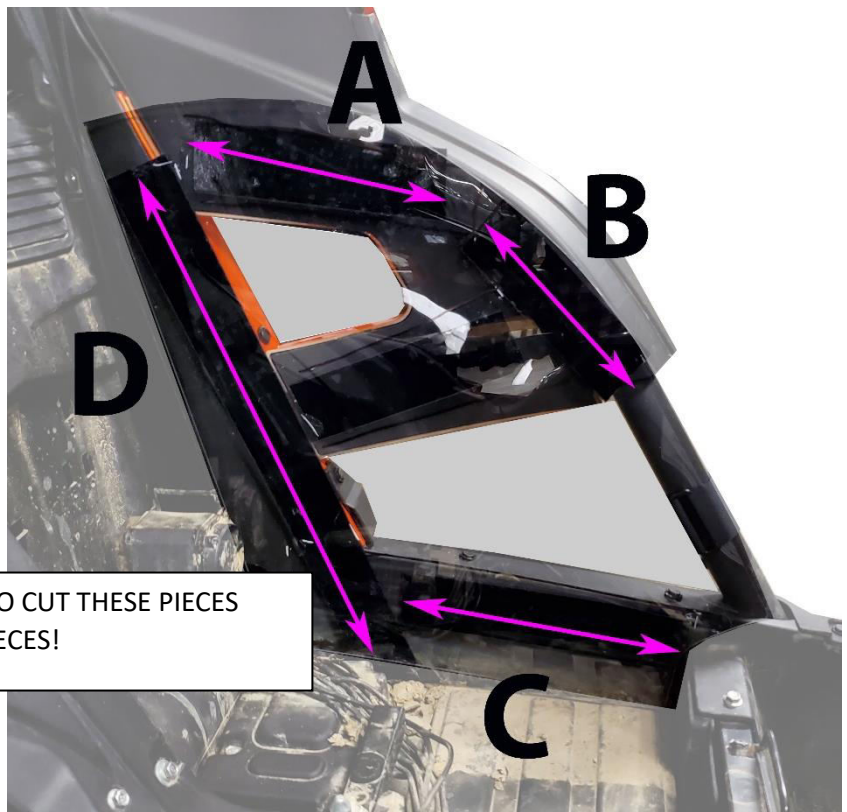


**STEP 4: INSTALL ADHESIVE HOOK ON SIDE PANEL**

Remove paper from side panel. Place side panel on the inside of the UTVs cab and mark the areas where the adhesive hook should be placed. Install adhesive hook on the marked areas. The hook should not show when looking at the side panel from the outside. Install the side panel press hook firmly to the loop.

ADHESIVE HOOK	
A	2-9
B	2-9
C	2-15
D	2-15

YOU MAY NEED TO CUT THESE PIECES INTO SMALLER PIECES!



**5: INSTALL 10" STRAP**

Thread 10" strap, fuzzy Velcro facing exterior of UTV, through slot in the side panel. Wrap strap around bar and attach the hook to the loop.





**Periodic cleaning using correct procedures can help to prolong service life. For care and cleaning, it is recommended that the following instructions be adhered to:**

## **Lexan Cleaning Recommendations**

- Gently wash Lexan with a solution of mild soap and lukewarm water, using a soft, grid-free cloth or sponge to loosen any dirt or grime.
- Fresh paint splashes, grease and smeared glazing compounds can be removed easily before drying by rubbing lightly with a soft cloth using petroleum ether (BP65), hexane or heptanes. Afterwards, wash the sheet using mild soap and lukewarm water.
- Scratches and minor abrasions can be minimized by using a mild automobile polish. We suggest that a test be made on a small area of the Lexan sheet with the polish selected and that the polish manufacturer's instructions be followed, prior to using the polish on the entire sheet.
- Finally, thoroughly rinse with clean water to remove any cleaner residue and dry the surface with a soft cloth to prevent water spotting.

## **Important Instructions**

- Never use abrasive or highly alkaline cleaner on Lexan polycarbonate materials.
- Never use aromatic or halogenated solvents like toluene, benzene, gasoline, acetone or carbon tetrachloride on Lexan polycarbonate materials.
- Use of incompatible cleaning materials with Lexan sheet can cause structural and/or surface damage.
- Contact with harsh solvents such as methyl ethyl ketone (MEK) or hydrochloric acid can result in surface degradation and possible crazing of Lexan sheet.
- Never scrub with brushes, steel wool or other abrasive materials.
- Never use squeegees, razorblades or other sharp instruments to remove deposits or spots.
- Do not clean Lexan polycarbonate in direct sunlight or at high temperatures as this can lead to staining.
- For all mentioned chemicals consult the manufacturer's material safety datasheet (MSDS) for proper safety precautions.