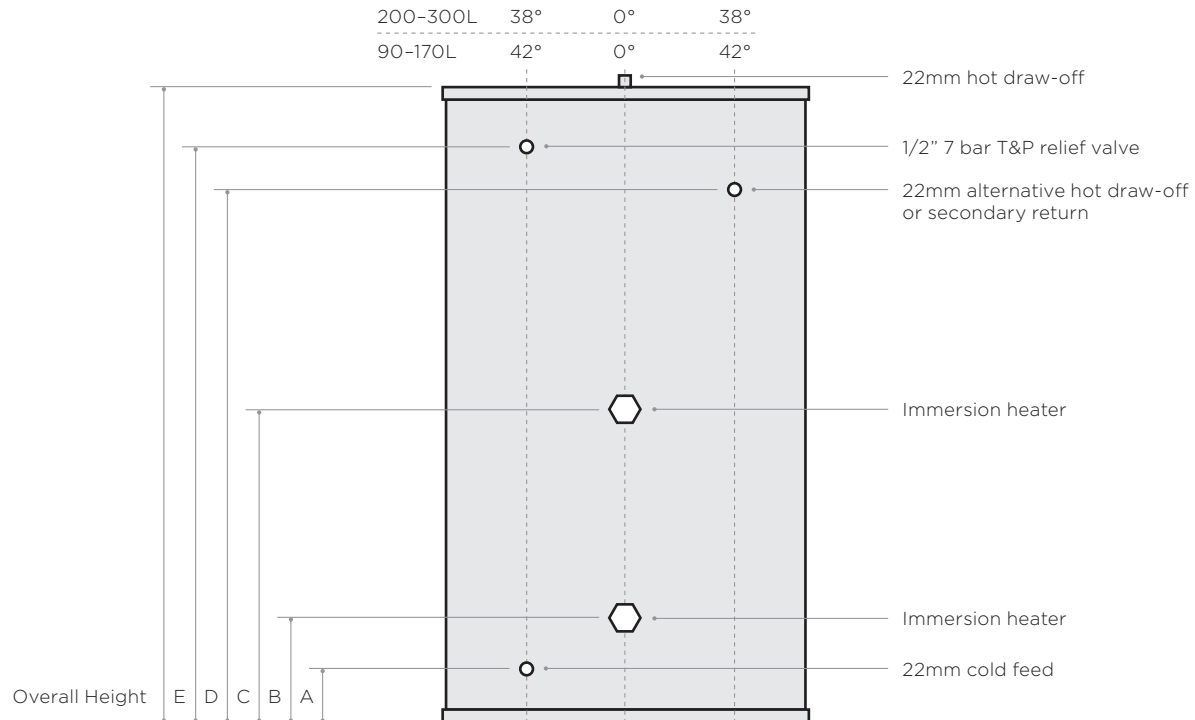


TEMPEST DIRECT

TECHNICAL DATA



Capacity (L)	90	125	150	170	200	250	300
Height (mm)	750	935	1060	1200	1120	1330	1650
Diameter (mm)	510	510	510	510	580	580	580
A (mm)	170	170	170	170	195	195	195
B (mm)	200	200	200	200	225	225	225
C (mm)	410	410	620	620	645	645	645
D (mm)	-	-	-	-	815	975	1255
E (mm)	550	750	880	1030	930	1140	1435

Capacity (L)	90	125	150	170	200	250	300
Reheat from cold (minutes)	52	72	86	98	108	144	202
Reheat from 75% draw-off (minutes)	27	37	45	51	63	75	136
ERP Rating*	C	C	C	C	C	C	C
Immersion Rating (kW)	2 x 3	2 x 3	2 x 3	2 x 3	2 x 3	2 x 3	2 x 3
Standing Heat Loss (kWh/24hrs)	1.37	1.48	1.72	1.92	2.04	2.16	2.32

*Based on thermostat set a 60°C