

The logo consists of a solid red square with the word "McALPINE" in white, bold, sans-serif capital letters centered within it.

**McALPINE**

Plumbing Products

# Showroom Product Brochure



Showroom Product Brochure



# Chrome Plated Basin Traps, Pipe and Wall Flange

## Chrome Plated Brass Basin Wastes

### Chrome Plated Basin Traps, Pipe and Wall Flange



1 1/4" x 50mm Water Seal Brass Adjustable Inlet Cylindrical Bottle Trap with 12" length of 32mm OD CP brass waste pipe and wall flange

Code **CA32MINI-CB**



1 1/4" x 75mm Water Seal Brass Adjustable Inlet Cylindrical Bottle Trap with 16" length of 32mm OD CP brass waste pipe and wall flange

Code **CA32UK-CB**



1 1/4" x 50mm Water Seal Plastic Adjustable Inlet Tubular Trap with 12" length of 32mm OD CP brass waste pipe and wall flange

Code **TA32UK-CB**

### Chrome Plated Brass Basin Wastes



1 1/4" x 60mm flange x 3 1/2" tail, slotted with spring-loaded mushroom plug

Code **CW60-CB**



1 1/4" x 60mm flange x 3 1/2" tail, unslotted with spring-loaded mushroom plug

Code **CWU60-CB**



1 1/4" x 60mm flange x 3 1/2" tail, unslotted, free flowing (open) with mushroom cover plate

Code **DWU60-CB**



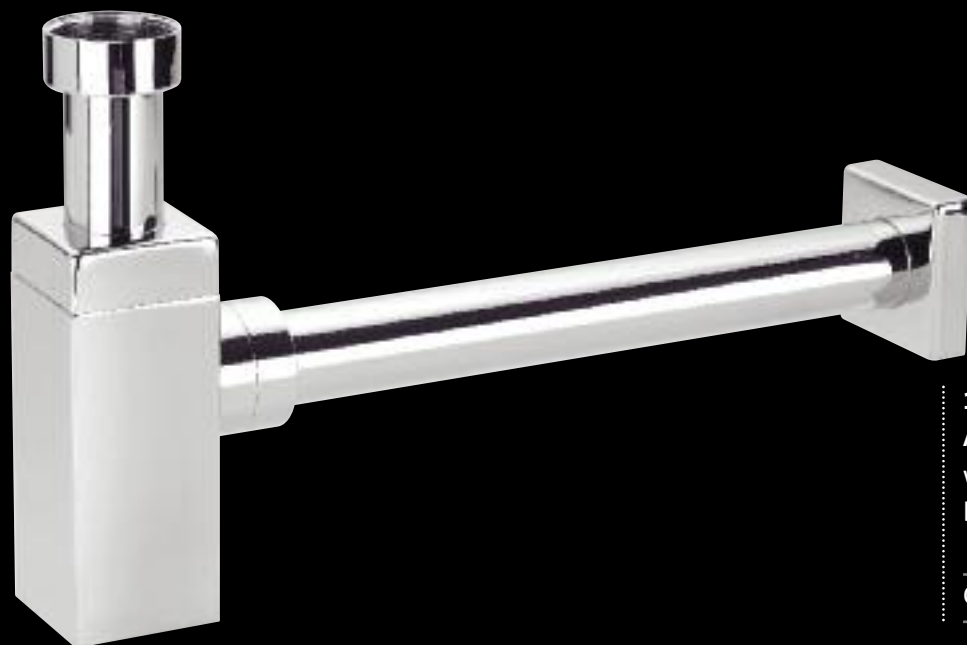
1 1/4" x 60mm flange x 3 1/2" tail, slotted with square spring-loaded plug

Code **CW60SQ-CB**



1 1/4" x 60mm flange x 3 1/2" tail, unslotted with square spring-loaded plug

Code **CWU60SQ-CB**



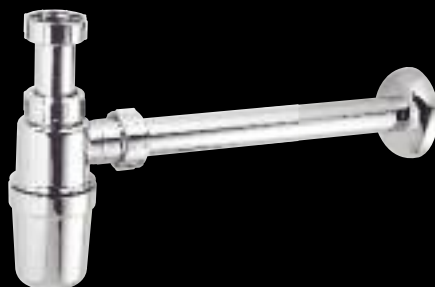
**1 1/4" x 50mm Water Seal Brass Adjustable Inlet Square Bottle Trap with 12" length of 32mm OD CP brass waste pipe and wall flange**

Code **CA32SQUK-CB**



**1 1/4" x 50mm Water Seal Plastic Adjustable Inlet Tubular Anti-Syphon Trap (Silentrap) with 12" length of 32mm OD CP brass waste pipe and wall flange**

Code **TA32VUK-CB**



**1 1/4" x 75mm Water Seal Plastic Adjustable Inlet Bottle Trap with 16" length of 32mm OD CP brass waste pipe and wall flange**

Code **A32UK-CP**



**1 1/4" x 75mm Water Seal Plastic Adjustable Inlet Bottle Trap with multifit outlet**

Code **CAA10**



**1 1/4" x 60mm flange x 3 1/2" tail, slotted with swivel plug**

Code **CW60SP-CB**



**1 1/4" x 60mm Flange x 3 1/2" Tail, Unslotted with Swivel Plug**

Code **CWU60SP-CB**



**1 1/4" x 60mm flange x 3 1/2" tail, slotted with swivel handle plug**

Code **BW60SPH-CB**



**1 1/4" x 60mm flange x 3 1/2" tail, unslotted with swivel handle plug**

Code **BWU60SPH-CB**



**1 1/4" x 55mm tail, extended backnut, threaded shroud and extension piece**

Code **GWAL-CB**

- Filler manufactured in cast brass
- Compact filler design 70mm diameter x 25mm deep suitable for curved baths
- Standard cable and overflow length 575mm, available with 1m cable and overflow

1½" x 50mm water seal swivel bath trap and filler/overflow assembly complete with CP brass waste. Removable top access spring-loaded mushroom plug to facilitate easy cleaning matches filler/overflow cover plate. Overall height 112mm

|      |                 |
|------|-----------------|
| Code | HC2650UK-FIL    |
| Code | HC2650UK-FIL-1M |



- Flow rate:  
0.5 Bar pressure produces 33 l/min  
1.0 Bar pressure produces 44 l/min  
2.0 Bar pressure produces 57 l/min

**CP Brass Pop-Up Waste with Mushroom Plug.**  
Overall height 113mm

|      |              |
|------|--------------|
| Code | HCN3165UK    |
| Code | HCN3165UK-1M |

**CP Brass Waste with Spring-Loaded Mushroom Plug.**  
Overall height 113mm

|      |              |
|------|--------------|
| Code | HCN3365UK    |
| Code | HCN3365UK-1M |



# Bath Traps with Wastes, Overflow and Spring-Loaded Mushroom Plugs

## Bath Combined Waste, Overflow and Spring-Loaded Mushroom Plug



1½" x 50mm water seal swivel bath trap and overflow assembly complete with CP brass waste. Removable top access spring-loaded mushroom plug to facilitate easy cleaning matches overflow cover plate. Overall height 112mm

Code **HC2650UK**

1½" x 70mm CP brass flange x 60mm tail combined waste and overflow with spring-loaded mushroom plug and matching overflow cover plate. Overall height 65mm

Code **CBWF70-CB**

1½" x 50mm Water Seal CP Brass Trap, 1½" CP brass combined waste and overflow with 70mm spring-loaded mushroom plug and matching overflow cover plate. Overall height 112mm

Code **BRASSTRAP-50-CP**

1½" x 25mm Water Seal CP Brass Trap, as above.

Overall height 87mm

Code **BRASSTRAP-25-CP**



- CP brass overflow with push button action to operate CP brass mushroom plug
- 1½" x 50mm water seal trap with Multifit outlet
- Cable and overflow length 575mm, 700mm and 1m



|                                 |      |                   |
|---------------------------------|------|-------------------|
| Cable and overflow length 575mm | Code | <b>PUB-PB-575</b> |
| Cable and overflow length 700mm | Code | <b>PUB-PB-700</b> |
| Cable and overflow length 1m    | Code | <b>PUB-PB-1M</b>  |

# Pop-Up Bath Waste and Overflow

## Chrome Plated Brass Waste Pipe and Fittings



### Pop-Up Bath Waste and Overflow



1 1/2" x 70mm CP stainless steel flange and mushroom plug with CP brass overflow/command knob

Code **PUB-CPX**



1 1/2" x 70mm stainless steel flange with CP brass overflow/command knob

Code **PUB-CPB**



1 1/2" x 70mm stainless steel flange with CP plastic overflow/command knob

Code **PUB-CP**

### Chrome Plated Brass Waste Pipe and Fittings

|  |                            |                       |
|--|----------------------------|-----------------------|
|  | 1 1/4" UK pipe size        | 1 1/2" UK pipe size   |
|  | 1m length of CP Brass Pipe |                       |
|  | <b>PIPE35-1000-CB</b>      | <b>PIPE42-1000-CB</b> |

|  |                      |               |
|--|----------------------|---------------|
|  | CP Plastic Pipe Clip |               |
|  | <b>S35-CP</b>        | <b>T42-CP</b> |

|  |                      |               |
|--|----------------------|---------------|
|  | 90° Compression Bend |               |
|  | <b>35A-CB</b>        | <b>42A-CB</b> |

|  |                       |               |
|--|-----------------------|---------------|
|  | 135° Compression Bend |               |
|  | <b>35B-CB</b>         | <b>42B-CB</b> |

|  |                 |               |
|--|-----------------|---------------|
|  | Compression Tee |               |
|  | -               | <b>42E-CB</b> |

|  |                                |               |
|--|--------------------------------|---------------|
|  | Compression Straight Connector |               |
|  | <b>35G-CB</b>                  | <b>42G-CB</b> |

|  |                        |                        |
|--|------------------------|------------------------|
|  | 1 1/4" UK pipe size    | 1 1/2" UK pipe size    |
|  | Wall Flange            |                        |
|  | <b>WALLFLANGE-CP35</b> | <b>WALLFLANGE-CP42</b> |

|  |   |  |
|--|---|--|
|  | Synthetic Rubber Seal Reducers for fittings |  |
|  | <b>R/SEAL-35X32</b>                         | <b>R/SEAL-42X32</b><br><b>R/SEAL-42x35</b> |

|  |  |                      |
|--|--|----------------------|
|  | ABS Adaptor to convert fittings to solvent weld waste pipe |                      |
|  | <b>ABSCON-35X1.25</b>                                      | <b>ABSCON-42X1.5</b> |

|  |   |                     |
|--|---|---------------------|
|  | 90° Bend 32/35mm compression CP brass x 1 1/4" ABS solvent weld |                     |
|  | Code  | <b>ABS32/35A-CB</b> |

|  |   |                     |
|--|---|---------------------|
|  | Straight Connector 32/35mm compression CP brass x 1 1/4" ABS solvent weld |                     |
|  | Code  | <b>ABS32/35G-CB</b> |

## Channel Drain for Tiled Wet Floor Areas

- Supplied with 1½" x 50mm water seal trap with top access for easy cleaning
- Available with polished or brushed finished grade 304 stainless steel cover plate
- Cover plate reversible to accommodate tiles up to 8mm
- Frame height adjustable to suit tiles up to 16mm
- Flow rate 24 litres per minute\*
- Supplied with adjustable height support legs for concrete floor installations. Height adjustability 124-168mm

| Dimensions:               | CD600 | CD800 |
|---------------------------|-------|-------|
| Length of Channel Frame:  | 548mm | 748mm |
| Width of Channel Frame:   | 88mm  | 88mm  |
| Overall height:           | 28mm  | 28mm  |
| Overall height with Trap: | 124mm | 124mm |

\* Flow rate calculated under a constant 15mm head of water

### Channel Drain with brushed finish Cover Plate

|      |         |
|------|---------|
| Code | CD600-B |
| Code | CD800-B |

### Channel Drain with polished finish Cover Plate

|      |         |
|------|---------|
| Code | CD600-P |
| Code | CD800-P |

## Tile Drain for Tiled Wet Floor Areas

- Tiles suitable for 50mm water seal traps as illustrated
- Plain tile supplied with brushed or polished finish, designer tiles supplied in brushed finish only. All in grade 304 stainless steel
- Tiles reversible to accommodate tiles up to 8mm
- Tile frame dimension 150mm square
- Frame height adjustable to suit tiles up to 16mm
- Supplied with adjustable height support legs for concrete floor installations

\* Flow rate calculated under a constant 15mm head of water



**50mm Water Seal Trap Body with 1½" Multifit outlet.** Overall height with tile 105mm.

Flow rate 34 l/min\*

|      |          |
|------|----------|
| Code | ST90-70B |
|------|----------|

As above with 2" Multifit outlet.

Flow rate 50 l/min\*

|      |          |
|------|----------|
| Code | ST90-HPB |
|------|----------|



Code **TILE-PLAIN-B**



Code **TILE-PLAIN-P**



Code **TILE-LOVE-B**





**50mm Water Seal Trap Body with 1½"**  
Multifit outlet. Overall height with tile  
120mm. Flow rate 42 l/min\*



Code **ST90-HP2B**

■ Photograph shows tile with brushed finish and trap assembled as complete product but sold as individual items and should be ordered separately



Code **TILE-MAC-B**



Code **TILE-SOLEIL-B**



Code **TILE-TRIBAL-B**

## 1½" Shower Traps with 50mm Water Seal



50mm Water Seal Trap with 70mm CP plastic flange. Overall height 95mm

Code **STW4-95**



50mm Water Seal Trap with 70mm CP stainless steel mushroom flange. Overall height 95mm

Code **STW4M-95**

## 90mm Shower Traps with 50mm Water Seal



90mm x 50mm Water Seal Trap with 1½" Multifit Outlet and CP plastic flange. Overall height 70mm

Code **ST90CP10-70**



90mm x 50mm Water Seal Trap with 1½" Multifit Outlet and CP brass flange. Overall height 70mm

Code **ST90CB10-70**



90mm x 50mm Water Seal Trap with 1½" Multifit Outlet and CP brass flange. Overall height 70mm

Code **ST90CPB-P-70**



90mm x 50mm Water Seal Trap with 1½" Multifit Outlet and CP brass flange. Overall height 70mm

Code **ST90CPB-S-70**

## Gully for use with Tiled or Stone Floors where a Waterproofing Membrane is required



**50mm Water Seal Trap** with 2" BS EN 1329-1:2000 solvent weld horizontal outlet and 2" x 1½" socket reducer. 150mm square CP stainless steel tile with removable drid. Overall height 100mm

Code **TSG50-T150SS**

## Gully for use with Sheet Flooring



**50mm Water Seal Trap** with 2" BS EN 1329-1:2000 solvent weld horizontal outlet and 2" x 1½" socket reducer. CP brass clamp ring with stainless steel grated cover plate. Overall height 100mm

Code **TSG50SS-SL-NSC**

## Flexible WC Connector for Back to Wall WC Pan

- Soft synthetic rubber inlet connection secured by a worm drive hose clip provides a secure and reliable connection to the WC pan spigot prior to the final placement against wall or furniture



|        |          |
|--------|----------|
| Closed | Extended |
| 150mm  | 310mm    |

90-114mm Inlet  
4"/110mm Outlet

Code **WC-F21R**



**M<sup>c</sup>ALPINE**  
**Plumbing Products**

**McAlpine & Co Ltd**  
**Kelvin Avenue**  
**Hillington**  
**Glasgow G52 4LF**

**Tel: 0141 882 3213**

**Fax: 0141 891 5065**

**Fax: (Sales Office) 0141 883 5697**

**[www.mcalpineplumbing.com](http://www.mcalpineplumbing.com)**