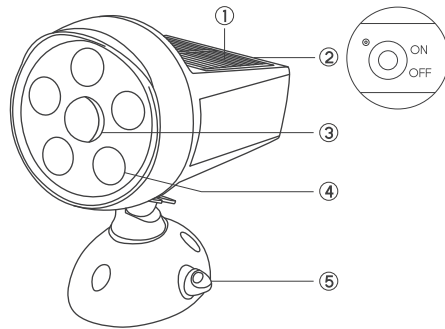


Solar Powered Motion Activated Security Light

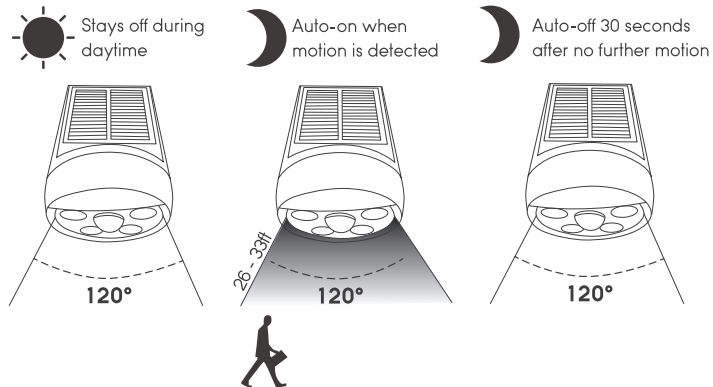
User Manual

01 / PRODUCT DIAGRAM



- ① Solar panel
- ② On/Off switch
- ③ Motion sensor
- ④ LED chip
- ⑤ Screw

02 / OPERATING MODES



Note: This solar wall light also features photocell, so it will get fully charged during the daytime and release its energy at night.

03 / OPERATING INSTRUCTIONS

Mount the light to the intended surface using the included fixing screws. Make sure the location that is not blocked from direct sunlight and not close to any night time light source such as a porch light or streetlight.

04 / NOTE

1. Please test light functions in a dark room before mounting the light to intended location.
2. Please fully charge the device at first time use (If lights blink repeatedly).
3. Please install the light facing south and make sure the sunlight can reach the solar panel directly without any shelter or glass.

05 / WARRANTY

TORCHSTAR warrants that this product is free from defects in materials and workmanship for a period of 12 months from the day of purchase. If the product has been misused, damaged by accident or in any other way of improper use, this warranty becomes void.

06 / MANUFACTURER CONTACT INFO

Website: www.torchstar.us
E-mail Address: info@torchstar.us
Phone Number: 800-990-7688

TORCHSTAR