

# LED Outdoor Wall Mount Light

## User Manual

### 01 / WARNING

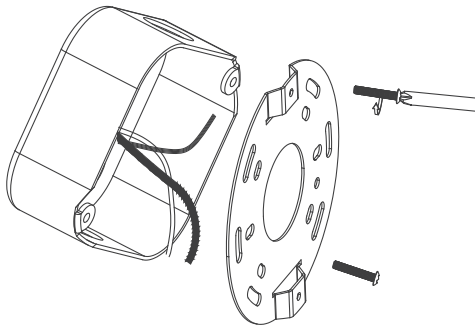
Disconnect the power DURING installation and BEFORE servicing. Wear gloves to prevent cuts/abrasions from sharp edges when removing from the carton, handling and maintaining this fixture.

### 02 / CAUTION

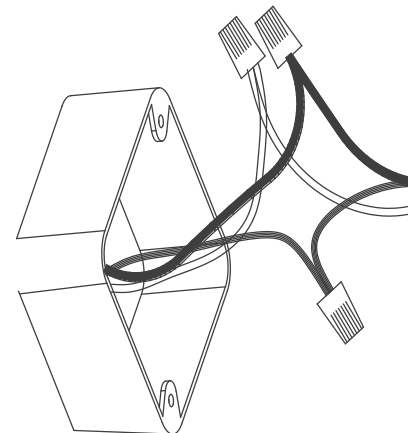
1. This fixture MUST BE WIRED in accordance with the National Electrical Code and applicable local codes or ordinance.
2. PLEASE, if you are unfamiliar with proper electrical wiring connections, obtain the services of a qualified electrician.
3. To ensure personal safety, proper grounding is required (connect the ground wire to the supply ground).
4. This fixture can be used in wet locations, but DO NOT submerge it into the water.
5. PLEASE READ ALL INSTRUCTIONS CAREFULLY BEFORE ATTEMPTING INSTALLATION.
6. PLEASE DO NOT COVER ANYTHING ON THE LAMP WHILE IT IS WORKING.

### 03 / INSTALLATION

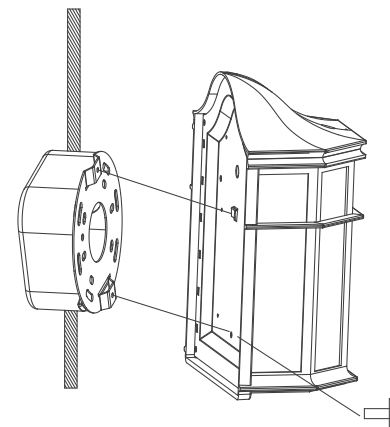
1. Attach the base plate to junction box with screws provided. Turn clockwise locking the plate into place. Tighten the screws, make sure the plate is fixed firmly.



2. Take out wire connectors in attached bags, connect the input wire from fixture with internal wire from the junction box, ground wire to ground wire (L to L, N to N).



3. Use M4 x 10 screws to connect the lamp body on the junction box. Make sure all the parts are connected firmly.



### 04 / WARRANTY

LEONLITE warrants that this product is free from defects in materials and workmanship for 5 years from the day of purchase. If the product has been misused, damaged by accident or in any other way of improper use, this warranty becomes void.