

单页尺寸:120*120mm

TORCHSTAR
LED ILLUMINATION SOLUTION

Color Changing Ultra-Thin Downlight
User Manual

01 / WARNING

IMPORTANT: READ ALL INSTRUCTIONS BEFORE INSTALLING THIS FIXTURE. RETAIN FOR FUTURE REFERENCE.

SAFETY: For your safety, this fixture **MUST** be wired in accordance with local electrical codes and ordinances. Consult with a qualified licensed electrician for the installation.

WARNING: Make certain that the power is **TURNED OFF** at the electrical panel before starting the installation or attempting any maintenance. For indoor installation ONLY.

02 / PACKAGE CONTENT

Color changing ultra-thin downlights × 6

Templates × 2

Wire nuts × 18

03 / INSTALLATION

TOOLS REQUIRED

1. Saw
2. Measuring tape

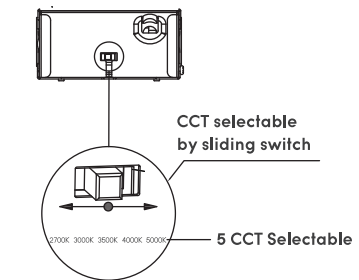
PRE-INSTALLATION

1. **TURN OFF THE POWER** at the electrical panel before installing.
2. Locate a suitable location to install this fixture. Use the template to cut a hole in the ceiling.

	4-Inch	6-Inch
Hole size	Ø4-1/4" (108mm)	Ø6-3/8" (162mm)

————— 1 —————

3. Select the desired color temperature by sliding the switch on the power box of the J-box. (Available CCTs are 2700K, 3000K, 3500K, 4000K, 5000K)

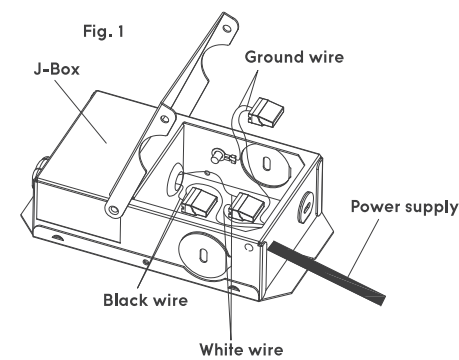


4. Run electrical wire from the switch (power supply) through the mounting hole. Use NMD90 or BX cable.

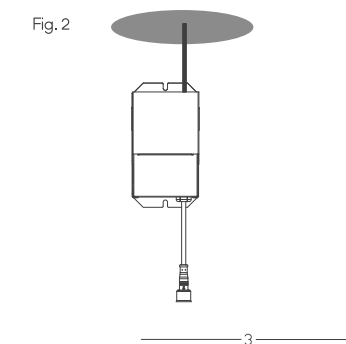
DRIVER WIRING

1. Open the J-box cover and remove the appropriate knockout(s).
2. Insert the electrical supply cable through the knockout and secure with a cable connector (not included).
3. Using the wire nuts, connect green ground wire of cable to the green wire of the J-box; connect white wire of cable to the white wire of the J-box; connect black wire of cable to the black wire of the J-box. (Fig. 1)

————— 2 —————



4. Place all wiring and connections back into the J-box and close the cover.
5. Insert the J-box through the mounting hole. (Fig. 2)

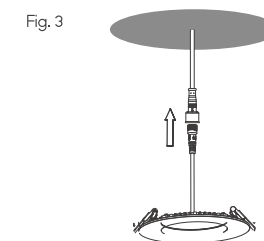


————— 3 —————

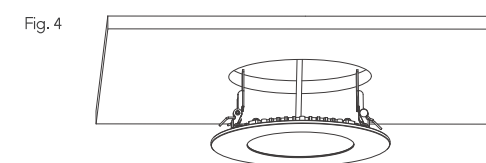
New construction applications: J-box shall be firmly secured to studs, joists or similar structural units.
Remodel applications: Do not require the J-box to be firmly secured after the mounting plates, joists or structural units have been concealed.

FIXTURE INSTALLATION

1. Connect the fixture to the J-box by inserting and twisting the male/female connectors. (Fig. 3)



2. Push spring loaded clips on the fixture upwards and insert the fixture to the mounting hole. Release the clips and the fixture will be pulled flush to the ceiling. (Fig. 4)



3. Once the assembly is complete, turn on power to confirm the fixture is working properly.

————— 4 —————

04 / SPECIFICATIONS

Color Changing Ultra-Thin Downlight	
Power	10.5W/13.5W
Voltage	120V 60Hz
Working temperature	-13°F-113°F
Luminous flux	650lm/1000lm
CRI	>90
Material	Aluminum
Dimming range	10%-100%
Beam angle	100°

05 / WARRANTY

TORCHSTAR warrants that this product is free from defects in materials and workmanship for a period of 5 years from the day of purchase. If the product has been misused, damaged by accident or in any other way of improper use, this warranty becomes void.

06 / MANUFACTURER CONTACT INFO

Website: www.torchstar.us

E-mail Address: info@torchstar.us

Phone Number: 800-990-7688

————— 5 —————