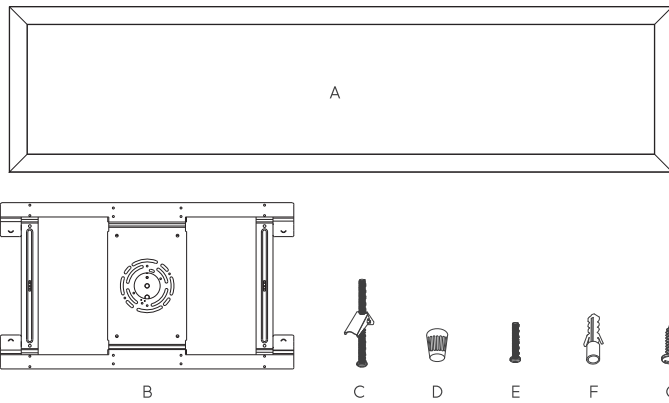


40W Slim Panel Light

User Manual

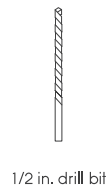
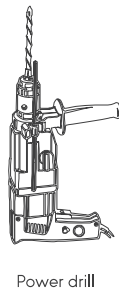
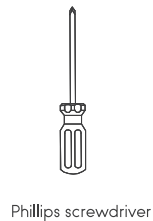
01 / PACKAGE CONTENT



- A. 40W slim panel lights × 2
- B. Mounting brackets × 2
- C. Toggle bolts with wing nuts × 8
- D. Wire nuts × 6
- E. Pan head machine screws × 4
- F. Plastic anchors × 8
- G. Self tapping screws × 8

02 / INSTALLATION

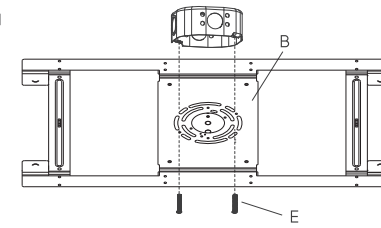
TOOLS REQUIRED



FIXTURE INSTALLATION

1. TURN OFF THE POWER at the circuit breaker before installing.
2. Align the mounting bracket (B) with the junction box (not included). Using pan head machine screws (E) attach the mounting bracket (B) to the junction box (not included). (Fig. 1)

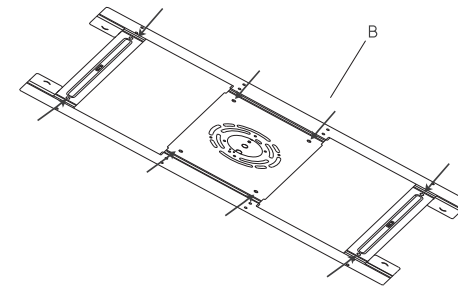
Fig. 1



3. Using a pencil, mark the position of the 8 mounting holes as seen on the mounting bracket. (Fig. 2)

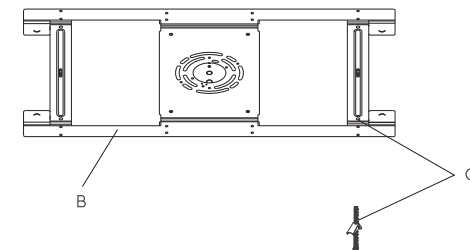
NOTE: Once the toggle balls with wing nuts (C) are installed, the fixture's orientation cannot be changed.

Fig. 2



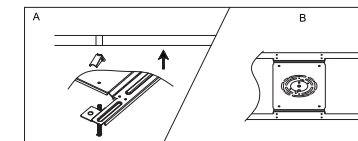
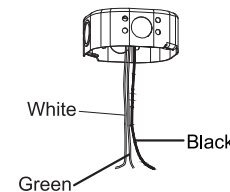
4. Remove the mounting bracket (B) from the junction box (not included). Drill 8 mounting holes on the marked position using a power drill. Remove the wing nuts on the toggle bolts (C). Using toggle bolts (C) fix the mounting bracket (B) to the ceiling or wall. Screw the wing nuts on the toggle bolts. (Optionally installed with plastic anchors (F) and self-tapping screws (G).) (Fig. 3)

Fig. 3



5. Pass the wires through the hole on the mounting bracket (B). Using toggle bolt (C), reattach the mounting bracket (B) to the junction box (not included). Once the wings pass the hole and expanded, pull the toggle bolts (C) downward to engage and tighten.

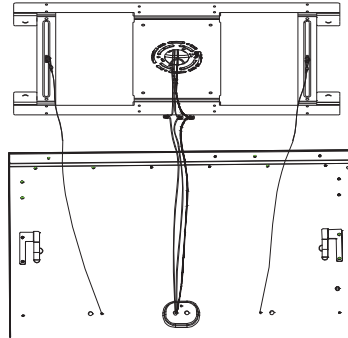
NOTE: When installing the fixture on a vertical surface, the mounting bracket (B) must be installed in a way that the mounting tabs are oriented in a vertical position. If the mounting tabs are not in this position, the fixture will not be properly secured and may cause serious injury.



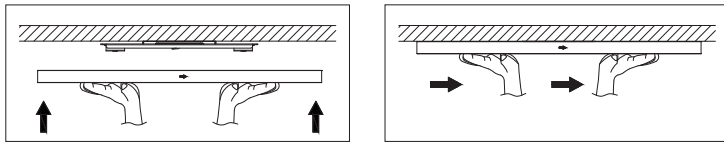
6. Hook the slim panel light (A) onto the mounting bracket (B).

NOTE: DO NOT leave spare wires outside the junction box (not included) in case of pinching wires which may cause a short circuit and potential hazards.

7. Using wire nuts (D) connect the wires. Connect the black wire to the live line, white to the neutral line and green to the ground.



8. Lift the slim panel light (A). Move it in parallel against the ceiling or wall. Snap the mounting bracket's (B) clip on the mounting taps. The installation is now complete. Turn the power back on.



03 / SPECIFICATION

| 40W Slim Panel Light | |
|----------------------|----------------|
| Power | 40W |
| Voltage | 120-277V |
| Working temperature | -4°F-113°F |
| Luminous flux | 4000lm |
| CRI | 80+ |
| Color temperature | 5000K Daylight |
| Material | Aluminum |
| Beam angle | 120° |
| Dimming type | 0-10V & TRIAC |

04 / COMPATIBLE DIMMER LIST

LUTRON: DVCL-153PR-WH, CTCL-153PDH-WH, TGCL-153PH-WH, MACL-153MH-WH, P-PKG1W-WH-R

LEVITON: R62-06674-POW, R12-06672-1LW, R50-JPL06-10M

EATON: AAL06-C1, SAL06P-LA-K

0-10V dimmers

05 / WARRANTY

LEONLITE warrants that this product is free from defects in materials and workmanship for a period of 5 years from the day of purchase. If the product has been misused, damaged by accident or in any other way of improper use, this warranty becomes void.