

# 50W Dusk to Dawn Floodlight

## User Manual

### 01 / WARNING

READ ALL safety precautions and installation instructions carefully before you begin installing or servicing this fixture. Failure to comply with these instructions could result in a potentially FATAL electrical shock and/or property damage.

- Ensure that the power is OFF at the fuse or the breaker box before making any electrical connections to reduce the risk of electrical shocks or other personal injuries.
- This fixture must be adequately grounded to reduce the risk of electrical shocks and assure proper operation. To accomplish proper grounding, there must be a separate ground wire (bare copper) contact between this fixture and the ground connection of your main power supply panel.
- DO NOT handle any energized fixture or attempt to energize any fixture with wet hands or while standing on a wet or damp surface or in water.
- It is recommended that a qualified electrician perform all the wiring. This fixture must be wired in accordance with all national and local electrical codes.
- This fixture is intended to be used for general outdoor lighting, in wet locations, and should be mounted AT LEAST 8ft above the ground.
- Assure that the fixture is mounted to a structurally sound surface that will support the fixture.
- DO NOT use on a dimming circuit.

### 02 / PRE-INSTALLATION

- TURN OFF the power at the fuse or circuit breaker box before you install or service any part of this fixture.
- Carefully remove the fixture from the carton and check that all parts are included. Be careful not to misplace any of the screws or parts needed for installing the fixture.

#### HARDWARE INCLUDED



AA: ST6 Screw\*3

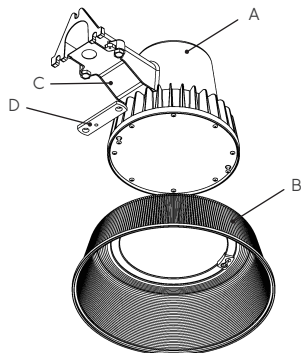


BB: Bolt\*2



CC: Wire Nut\*3

#### PARTS



- A - Lamp
- B - Reflector
- C - Cover plate
- D - Crossbar (for pole mounting ONLY)

### 03 / INSTALLATION

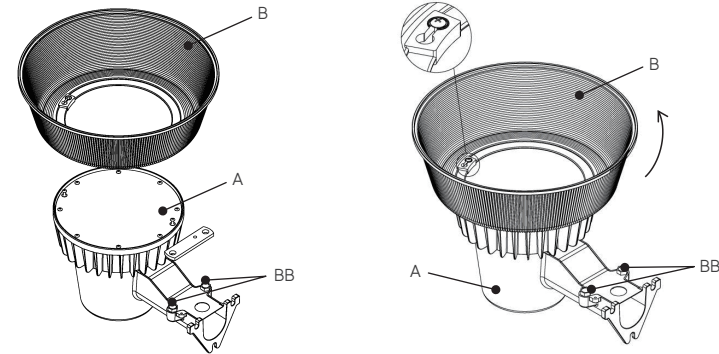
**CAUTION: Turn off the circuit breaker and light switch before beginning installation.**

- This fixture is suitable for wall or pole mount ONLY. It is NOT suitable for ground mount installation.
- The included hardware is for mounting onto WOOD SURFACES ONLY.
- For the best performance, mount the fixture 8-12ft above the ground.

**IMPORTANT: DO NOT use with dimmers or timers.**

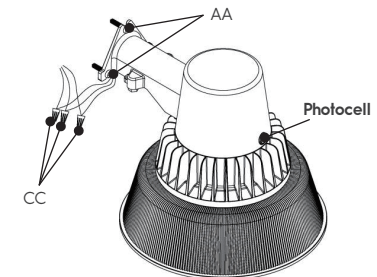
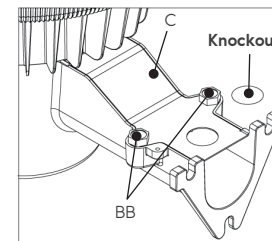
#### PREPARING THE FIXTURE

1. Attach the reflector (B) to the lamp (A) by aligning the holes on each side of the reflector with the screws on each side of the lamp.
2. Turn the reflector (B) to lock in place, then tighten down the screws.



#### WALL MOUNTING

1. Mark the mounting hole locations and drill 3/16" diameter pilot holes.
  2. Remove the cover plate (Part C).
  3. Install the light fixture to the wall by using three ST6 screws (Part AA).
  4. Install the two bottom ST6 screws (Part AA) first, leaving about 3/8" space under the head.
  5. Place the fixture on the two bottom ST6 screws (Part AA) and install the top ST6 screw (Part AA).
  6. Tighten the two bottom ST6 screws (Part AA).
  7. Remove the knockout on the bottom of the cover plate (Part C) for conduit mounting ONLY. Secure the conduit (not included) to the cover plate with a fitting in accordance with the National Electrical Code. Thread the house supply wires through the hole.
  8. Connect the house supply ground wire to the fixture ground (bare copper) wire using the wire nut (Part CC).
  9. Connect the black fixture wire to the black house power supply wire and the white fixture wire to the white (neutral) house supply wire using the wire nuts (Part CC).
- NOTE: For proper connection, place the wire nut over wires and twist clockwise until tight.**
10. Install the cover plate (Part C). Secure the two bolts (Part BB) provided.

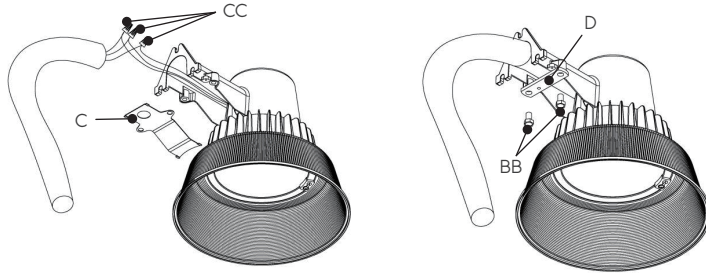


#### POLE MOUNTING

1. Remove the cover plate (Part C) and the two bolts (Part BB).
2. Insert supply wires through the extension arm (not included) and make connections to the light fixture.
3. Connect the house supply ground wire to the fixture ground (bare copper) wire using the nut (Part CC).
4. Connect the black fixture wire to the black house power supply wire and the white fixture wire to the white (neutral) house supply wire using the wire nuts (Part CC).
5. After connecting the wires, push wires inside the extension arm.

**NOTE: For proper connection, place the wire nut over wires and twist clockwise until tight.**

6. Insert the extension arm into the mounting slot on the fixture.
7. Secure with the crossbar (Part D) and two bolts (Part BB).



#### 04 / OPERATION

- To test operation during daylight, cover the photocell with black electrical tape.
- Turn on the circuit breaker and light switch.

**NOTE: Please wait about 1 minute for the circuitry to calibrate after you first turn on the barn light.**

#### 05 / TROUBLESHOOTING

PROBLEM	POSSIBLE CAUSE	SOLUTION
Lights will not come on.	A. Light switch is turned off.	A. Turn light switch on.
	B. Fuse is blown or circuit breaker is turned off.	B. Replace fuse or turn circuit breaker on.
	C. Incorrect circuit wiring.	C. Verify that fixture is wired properly.

#### 06 / WARRANTY

LeonLite warrants that this product is free from defects in materials and workmanship for a period of 5 years from the day of purchase. This warranty does not apply if the product has been damaged through misuse, abuse, accident, modifications, alterations, neglect or mishandling.