

# Outdoor Area Light

## User Manual

### 01 / WARNING

READ CAREFULLY BEFORE INSTALLING FIXTURE. RETAIN THESE INSTRUCTIONS FOR FUTURE REFERENCE.

1. Fixtures must be wired following the National Electrical Code and all applicable local codes. Proper grounding is required for safety.
2. THIS PRODUCT MUST BE INSTALLED FOLLOWING THE APPLICABLE INSTALLATION CODE BY A PERSON FAMILIAR WITH THE CONSTRUCTION AND OPERATION OF THIS PRODUCT AND THE HAZARDS INVOLVED.
3. **WARNING:** Make certain the power is TURNED OFF before installing or maintaining this fixture.

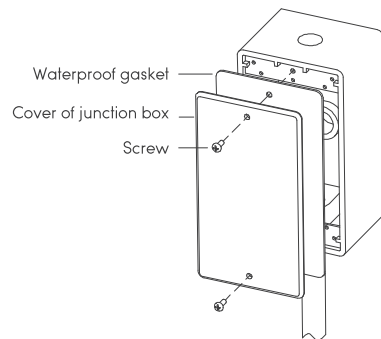
### 02 / PACKAGE CONTENT

Outdoor area light \* 1

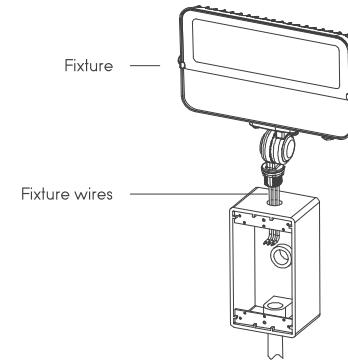
Wire nuts \* 3

### 03 / INSTALLATION

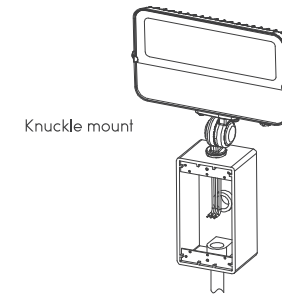
1. TURN OFF THE POWER. Then, unscrew the junction box and remove the cover of the junction box.



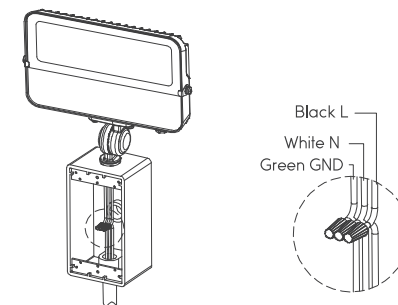
2. Place the fixture wires inside the junction box.



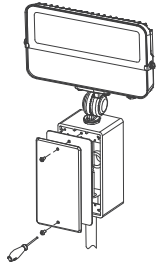
3. Screw the knuckle mount onto the junction box.



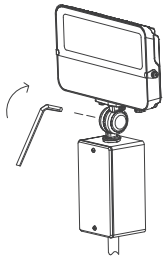
4. Connect the supply wires with the fixture wires using wire nuts. Connect the black wire to the live wire, the white wire to the neutral wire, and the green wire to the ground wire.



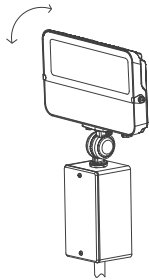
5. Screw the cover back on the junction box.



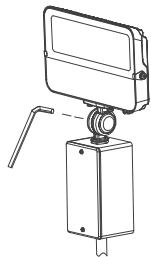
6. Loosen the knuckle mount using a hex key (not included).



7. Adjust the fixture to desired angle.



8. Tighten the knuckle mount. The installation is now complete. Turn the power back on.



## 04 / SPECIFICATIONS

Outdoor Area Light	
Power	15W/30W/50W
Voltage	120V
Working temperature	-40°F-104°F
Luminous flux	1600lm/3150lm/5250lm
Color temperature	3000K Warm White/5000K Daylight
Material	Aluminum
Beam angle	110°

## 05 / WARRANTY

LEONLITE warrants that this product is free from defects in materials and workmanship for a period of 5 years from the day of purchase. If the product has been misused, damaged by accident or in any other way of improper use, this warranty becomes void.

# LeonLite