

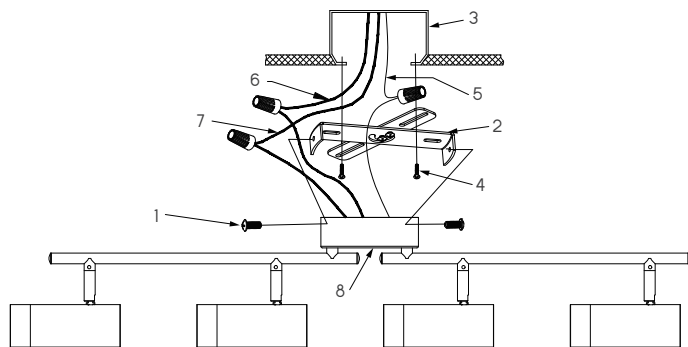
4-Light Track Lighting Kit

User Manual

O1 / CAUTION

- Do not use outdoors.
- Do not mount near gas or electric heaters.
- The use of accessories which are not recommended by the manufacturer may cause unsafe conditions.
- Disconnect power before installation.

O2 / COMPONENT



- | | |
|--------------------------------|-----------------|
| 1. Screw | 5. Ground wire |
| 2. Crossbar | 6. Neutral wire |
| 3. Junction box (not included) | 7. Live wire |
| 4. Screw | 8. Base box |

O3 / INSTALLATION

1. Turn off the power before installation.
2. Unscrew the screw nuts and fix the crossbar to the junction box (not included) in the ceiling with screws.
3. Connect ground wire and bare copper grounding wire together and tighten with wire nuts.
4. Connect the neutral wire in the junction box and the neutral wire attached to the light body (white or blue) together and tighten with wire nuts.
5. Connect the live wire in the junction box and the live wire attached to the light body (black or brown) together and tighten with wire nuts.
6. Wrap the electrical tape around the wire nuts tightly.
7. Fasten the base box to the crossbar with screws.

O4 / COMPATIBLE DIMMER LIST

Lutron: MRF2-6CL-WH, MSCL-VP153M-WH, MACL-153M-IV, TGCL-153PH-WH
Leviton: DSL06-1LZ, IPL06-10Z, No.6674, No.6672

O5 / WARRANTY

LeonLite warrants that this product is free from defects in materials and workmanship for a period of 5 years from the day of purchase. This warranty does not apply if the product has been damaged through misuse, abuse, accident, modifications, alterations, neglect or mishandling.

LeonLite