

40W Dusk to Dawn Floodlight

User Manual

O1 / WARNING

1. The safeguards and instructions appearing on this manual are not meant to cover all possible conditions and situations that may occur. It may be understood that common sense, cautions and care, are factors which cannot be built into any product. The person(s) installing, operating and responsible for the fixture must execute these factors.
2. To help prevent the possibility of electrical shock, the use of rubber sole shoes is recommended. Use work gloves when handling the fixture to avoid cuts or abrasions.
3. Account for all parts and destroy packaging material, as these may be hazardous to children.
4. Failure to install and wire this fixture in accordance with the National Electrical Codes (NEC), all Federal, State and Local electrical codes, as well as specific U.L. safety standards for the intended working environment (location/application), may cause serious personal injury, death and/or property damage.
5. This product must be installed by a person who is familiar with the construction and operation of the product and the hazards involved.
6. Risk of fire and electric shock. Most dwellings built before 1985 have supply wires rated at 140 degrees F. Consult a qualified electrician before beginning installation. If the supply wires are located within 3 inches of the driver, use wires rated at 194 degrees F.
7. Check ALL connections to be sure they are tight and correct before power is turned on to the fixture.
8. This fixture CAN NOT be used with a dimmer switch, motion sensor or remote device.
9. This fixture should not be recessed or positioned in any other orientation than horizontal mounting with the light source pointing down.
10. TURN OFF THE POWER FROM THE MAIN CIRCUIT BEFORE INSTALLING. Make sure that the fixture is grounded following the National Electrical Codes (NEC).

O2 / INSTALLATION

TURN OFF POWER FROM THE MAIN CIRCUIT BEFORE INSTALLING FIXTURE.

1. Remove fixture components and parts pack. Check that all parts are included.

Note: NOT suitable for use with dimmers, motion sensors or other remote devices.

2. Mark mounting hole locations and drill 3/16" diameter pilot holes.
3. Install two 2" Mounting Screws (4) in bottom holes, leaving about 3/8" space under the head.
4. Install the third 2" Mounting Screw (4) into the predrilled hole on top and back the screw out. This will leave the hole threaded and make installation easier.
5. Place fixture housing on the two bottom screws and install third screw.
6. Tighten two bottom screws to secure fixture.

CAUTION: WIRING AND FIXTURE OPERATION

Make sure power is turned off.

7. Remove knockout on back of Cover Plate (5) for junction box/arm mounting or remove knockout on the bottom of Cover Plate (5) for conduit mounting and take house supply wires through hole.

Note: This fixture is intended for use with conduit connectors, conduit and junction box that are UL listed suitable for wet locations and are properly installed and grounded.

8. Ground fixture

Use Wire Nuts (6) to connect the (copper) house supply ground wire & the (green) fixture ground wire.

Note: If house wiring does not include a ground wire consult your local electrical code for approved grounding methods. For proper connection, place wire nuts (6) over wires and twist clockwise until tight.

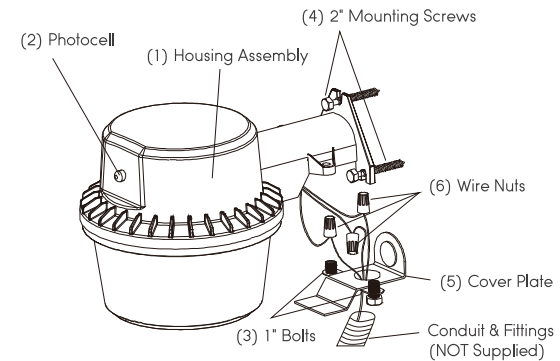
9. Connect supply wires

Use Wire Nuts (6) to connect the black fixture wire to the black (live) power supply wire and the white fixture wire to the white (neutral) supply wire.

10. Secure Cover Plate (5) to housing with two 1" Bolts (3).

11. Turn on electricity at fuse or circuit breaker box and verify success of installation.

Note: Test fixture at night or by covering the Photocell (2).



O3 / TROUBLESHOOTING GUIDE

If this fixture fails to operate properly, use the guide below to diagnose and correct the problem.

1. Verify that power is turned on at switch and breaker box.
2. Verify that fixture is wired properly.
3. Verify that line voltage is correct.
4. Test if photocell works properly.

The photocell in this fixture is designed to turn on fixture light at low light levels.

If light does not come on or stay on, test the photocell to see if it's operating properly by:

1. Cover photocell - light should come on.
2. Shine a flashlight into photocell - light should go off.

If fixture cycles on and off:

Lights reflecting back off any surrounding surfaces may enter the photocell.

To correct this problem:

Re-position the fixture or eliminate the reflective surface.

O4 / WARRANTY

TORCHSTAR warrants that this product is free from defects in materials and workmanship for a period of 5 years from the day of purchase. If the product has been misused, damaged by accident or in any other way of improper use, this warranty becomes void.

O5 / MANUFACTURER CONTACT INFO

Website: www.torchstar.us

E-mail Address: info@torchstar.us

Phone Number: 800-990-7688

TORCHSTAR