

# LED Parking Lot Light

## User Manual

### 01 / WARNING

**READ ALL WARNINGS AND INSTRUCTIONS BEFORE INSTALLING THIS PRODUCT TO ENSURE SAFETY AND PROPER OPERATION, KEEP THIS MANUAL GUIDE FOR FUTURE REFERENCE.**

Unpacking check: Please check and make sure there are no sign of physical damage or missing accessories to the product when unpacking. Do not install damaged products.

Risk of fire or electric shock, installation of this product requires knowledge of the electrical systems, if not qualified, do not attempt installation. Contact a qualified electrician.

TURN OFF POWER AT BREAKER BOX and let the fixture cool down before attempting any installation or servicing.

This product must be installed in accordance with the national electric code (NEC) and all applicable federal, state and local electric codes and safety standards.

Any alteration or modification of this product is expressly forbidden as it may cause serious personal injury, death, property damage and/or product malfunction. To prevent product malfunction and/or electrical shock this product must be properly grounded.

This luminaire is designed to operate in ambient temperatures ranging from -40 F - 113 F and to be horizontally mounted with the LEDs facing down.

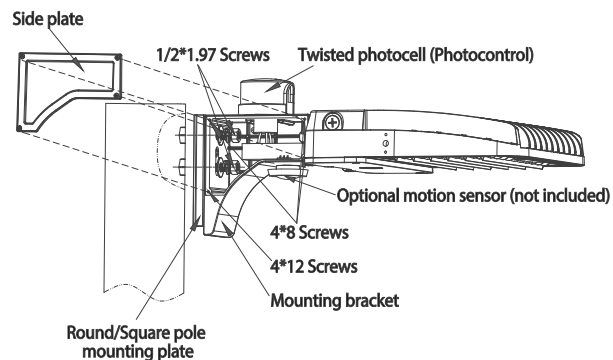
This product must be installed in accordance with the applicable installation code by a Person familiar with the construction and operation of the product and the hazards involved.

MIN 75°C supply conductors.

### 02 / INSTALLATION

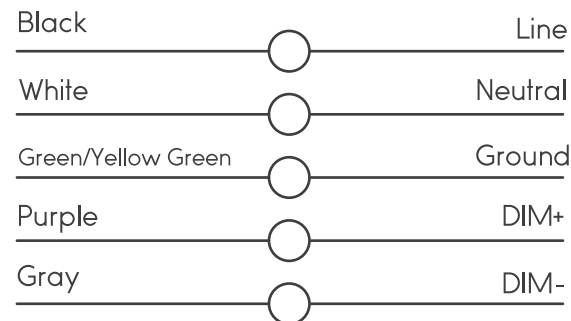
#### Round Pole

- 1.Remove the side plate by loosen the screws.
- 2.Attach round pole mounting plate on mounting bracket and then fix the mounting bracket on the round pole with 2pcs #1/2\*1.97 Screws.
- 3.Slide the LED parking lot light onto the mounting bracket, then tighten the screws.
- 4.Route the cord into mounting bracket for wiring, make wire connection accordingly as shown in the wiring diagram below, replace the side plate and tighten screws.



#### Square Pole

- 1.Remove the side plate by loosen the screws.
- 2.Attach the mounting bracket on the square pole and fix it with 2pcs #1/2\*1.97 Screws.
- 3.Slide the LED parking lot light onto the mounting bracket, and then tighten the screws.
- 4.Route the cord into mounting bracket for wiring and make wire connect accordingly as shown in the wiring diagram, replace the side plate and tighten screws.



### 03 / WARRANTY

LEONLITE warrants that this product is free from defects in materials and workmanship for a period of 5 years from the day of purchase. This warranty does not apply if the product has been damaged through misuse, abuse, accident, modifications, alterations, neglect or mishandling.

# LeonLite