

Parking Lot Light

User Manual

01 / WARNING

1. DO NOT use an electric generator to test the fixture.
2. PLEASE abide by related country, regional and local law and regulations when installing this fixture.
3. Do not install the fixture in the rain to avoid lightning stroke and damage to the light.
4. To avoid the possibility of electrical shock or fire, the installation personnel MUST have professional electrical knowledge.
5. PLEASE wear gloves to avoid injury during the installation.
6. If any smoke or a wire sparking occurs, PLEASE turn off the power immediately and notify relevant personnel.
7. Suitable for outdoor use.
8. Min 75°C supply conductor.
9. THIS PRODUCT MUST BE INSTALLED IN ACCORDANCE WITH THE APPLICABLE INSTALLATION CODE BY A PERSON FAMILIAR WITH THE CONSTRUCTION AND OPERATION OF THE PRODUCT AND THE HAZARDS INVOLVED.

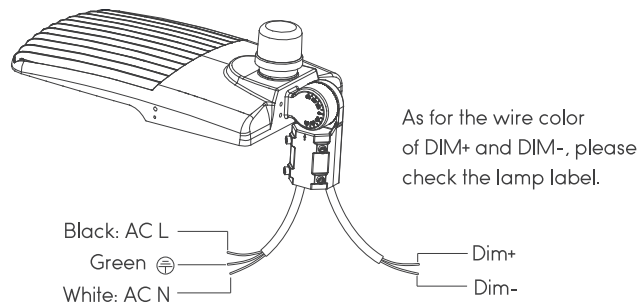
02 / PACKAGE CONTENT

- Parking lot light × 1
- Photocell × 1
- Shorting cap × 1
- Slipfitter × 1

03 / INSTALLATION

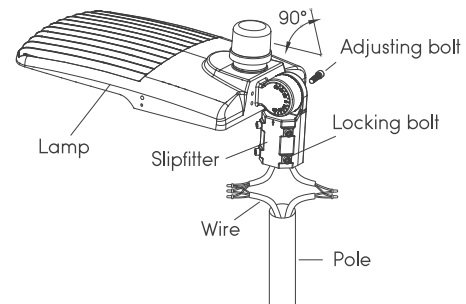
1. Loosen the 4 locking bolts on the slipfitter. Then connect wires as shown in Fig. 1.

Fig. 1



2. Put the wirings back into the pole. Tighten the locking bolts between the pole and the slipfitter. (Fig. 2)

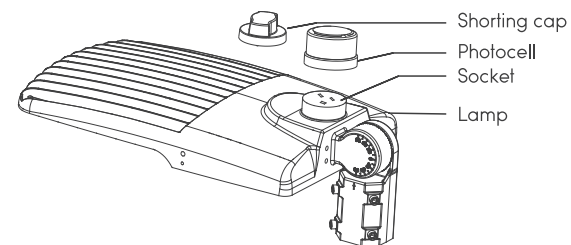
Fig. 2



3. Loosen the adjusting bolt. Adjust the lamp to the desired angle, then tighten the adjusting bolt. (Fig. 2)

Note: If the photocell function is required, please install the photocell on the lamp's back. If not, please install the shorting cap on the lamp's back. (Fig. 3)

Fig. 3



04 / SPECIFICATIONS

Parking Lot Light	
Power	150W/300W
Voltage	100-277V AC
Luminous flux	20,250lm/42,000lm
Color temperature	5000K Daylight
Material	Die-casted aluminum
Waterproof rating	IP65
Dimming type	1-10V

05 / COMPATIBLE DIMMER LIST

LEVITON: DS710

LUTRON: DVSTV/DVTV

COOPER: SF10P

HUBBELL: LHD-IRS3-N-WH

06 / WARRANTY

LEONLITE warrants that this product is free from defects in materials and workmanship for a period of 5 years from the day of purchase. If the product has been misused, damaged by accident or in any other way of improper use, this warranty becomes void.