

Rotating LED Exit Sign Light Panel

User Manual

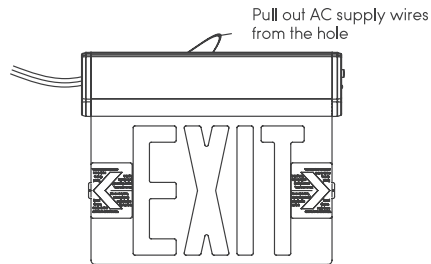
01 / PACKAGE CONTENT

LED light panel × 1	PM4*20 screw × 2
Mounting bracket × 1	Crossbar × 1
Wire nut × 3	Screw anchor × 3
ST3.5*16 screw × 2	ST4*20 screw × 2

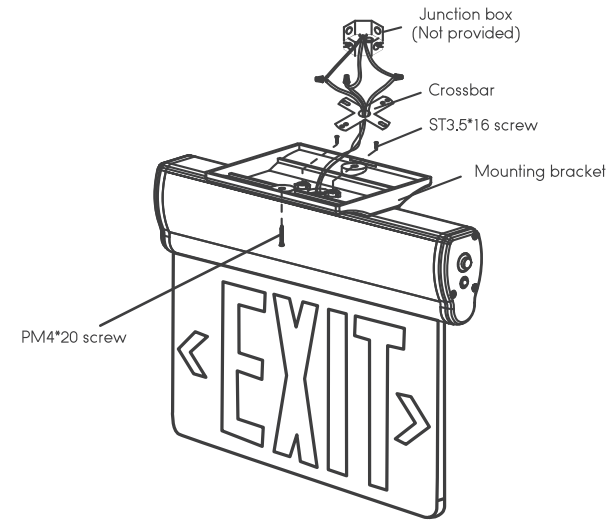
02 / INSTALLATION

CEILING & WALL MOUNT

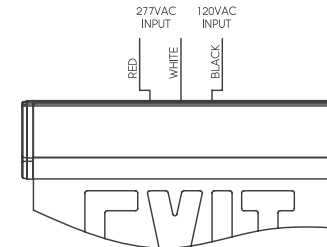
1. Turn off the power before installing.
2. Attach the crossbar to the junction box (not included).
3. Remove the black rubber ring from the driver box and pull the AC wires out from the hole.



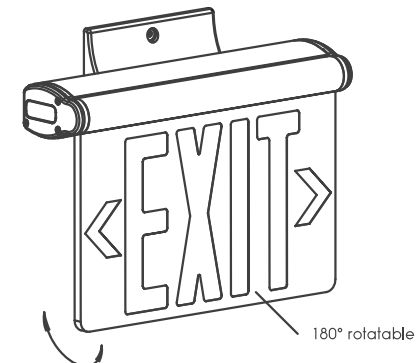
4. Pass the wire through the mounting bracket's central hole. Attach the mounting bracket to the driver box with the ST3.5*16 screws.



5. Now connect the wires. If you're using 120V AC, connect the black and white wires to the building wires. If you're using 277V AC, connect the red and white wires to the building wires.

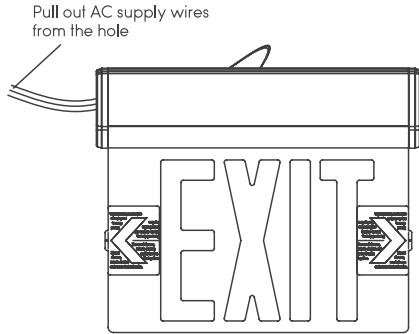


6. Attach the mounting bracket to crossbar with the PM4*20 screws.
7. If the chevrons are needed, PLEASE keep them and tear off the instruction stickers in the panel. If not needed, tear off all the stickers on the panel.
8. The EXIT panel can be rotated up to 180°. Wall mounting can be completed by rotating the mounting bracket 90°.

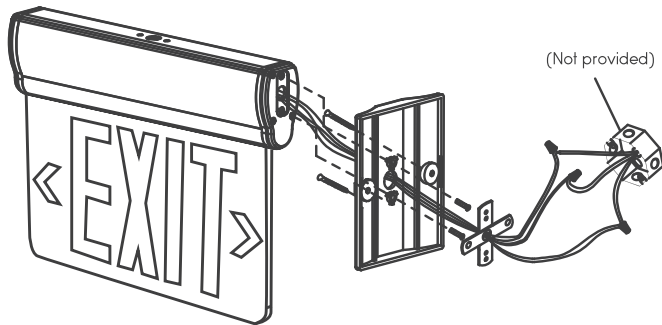


END MOUNT

1. Turn off the power before installing.
2. Attach the crossbar to the junction box (not included).
3. Remove the driver box's side cover and pull out the AC wires. Detach, then reattach the light panel to change its direction if necessary.
4. Pass the wires through the center of both the side cover and mounting bracket. Screw the side cover back to the driver box. Attach the mounting bracket to the tightened side cover with the ST3,5*16 screws.



5. Now connect the wires. If you're using 120V AC, connect the black and white wires to the building wires. If you're using 277V AC, connect the red and white wires to the building wires.
6. Attach the mounting bracket to the crossbar with the PM4*20 screws.
7. If the chevrons are needed, PLEASE keep them and tear off the instruction stickers on the panel. If not needed, tear off all the stickers on the panel.



03/ SPECIFICATIONS

Rotating LED Exit Sign Light Panel	
Power	Maximum 4.4W
Voltage	120/277V AC
Beam angle	120°
Certification	UL
Working temperature	32°F-104°F
Material	Acrylic & nanoplastics
Battery type	Ni-MH battery
Battery capacity	3.6V 500mAh

04 / CAUTION

- DO NOT use outdoors.
- This equipment should be mounted in locations and at heights where it will NOT be readily subjected to tampering by unauthorized personnel.
- DO NOT mount near gas or electric heaters.
- Cap off the unused wires with the included wire nuts or with other approved methods.
- Use of equipment that was NOT recommended by the manufacturer may cause an unsafe condition.
- DO NOT use this equipment for ANYTHING other than the intended use.
- ONLY qualified personnel should service this equipment.
- TURN OFF the AC power BEFORE performing ANY service.
- Be careful with the battery if there is lye leaking. Battery lye can cause burns to your skin and/or eyes. If lye is spilled on the skin and/or eyes, flush the lye with fresh water and immediately contact a physician.

05 / WARRANTY

LEONLITE warrants that this product is free from defects in materials and workmanship for 2 years from the day of purchase. If the product has been misused, damaged by accident or in any other way of improper use, this warranty becomes void.

LeonLite