

10W Track Light Head

User Manual

01 / PACKAGE CONTENT

10W track light heads × 2

02 / WARNING

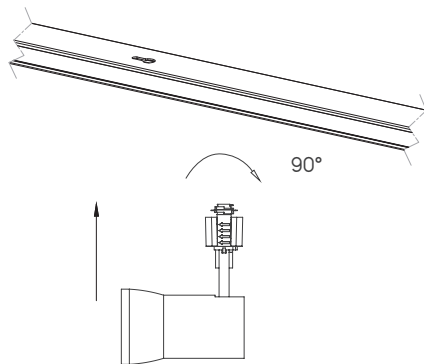
IMPORTANT: NEVER attempt any work or maintenance without shutting off the power.

- READ ALL INSTRUCTIONS BEFORE INSTALLING.
- This system must be installed by a qualified electrician in accordance with the National Electrical Code and local regulations.
- TURN OFF the power for the room you are working in at the circuit breaker switches or go to the main fuse box, switch the main power to the "OFF" position and unscrew the fuses.
- Put the wall switch in the "OFF" position.

03 / INSTALLATION

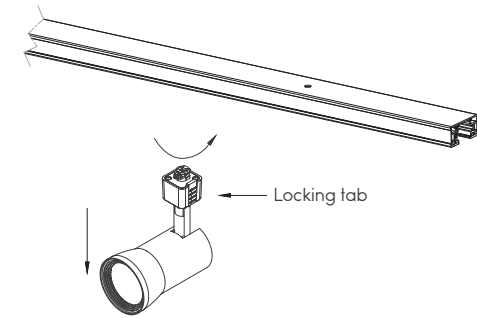
1. Turn off the power. Insert the adaptor into the track slot. The body of the track light has an arrow whose direction should be paralleled with the track.
2. The track light can be positioned anywhere along the track. Slide the adaptor to the desired installation position and rotate it 90° to the track slot. The arrow on the track light's body should be pointing to the side of the track with two track slots.

Fig.1



3. Adjust the track light head's direction. The installation is now complete.
4. To remove the track light, press the locking tab on the adaptor and reverse the previous steps.

Fig.2



04 / SPECIFICATIONS

10W Track Light Head	
Working temperature	-40°F-104°F
CRI	>90
Beam angle	38°
Power rating	10W
Voltage	120V
Current	0.079A
Equivalent	65W
Lifespan	50,000hrs
Luminous flux	700lm

05 / COMPATIBLE DIMMERS

LUTRON: CTCL-153PDH, CTCL-153P, CT-600P, DVCL-153P
LEVITON: 6672, 6674
PASS & SEYMOUR: HCL453PTCCCV6

06 / WARRANTY

LEONLITE warrants that this product is free from defects in materials and workmanship for 5 years from the day of purchase. If the product has been misused, damaged by accident or in any other way of improper use, this warranty becomes void.

LeonLite