

50W CCT Selectable Dusk to Dawn Floodlight

User Manual

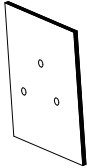
01 / WARNING

1. The safeguards and instructions appearing on this manual are not meant to cover all possible conditions and situations that may occur. It may be understood that common sense, cautions and care, are factors which cannot be built into any product. The person(s) installing, operating and responsible for the fixture must execute these factors.
2. To help prevent the possibility of electrical shock, the use of rubber sole shoes is recommended. Use work gloves when handling the fixture to avoid cuts or abrasions.
3. Account for all parts and destroy packaging material, as these may be hazardous to children.
4. Failure to install and wire this fixture in accordance with the National Electrical Codes (NEC), all Federal, State and Local electrical codes, as well as specific U.L. safety standards for the intended working environment (location/application), may cause serious personal injury, death and/or property damage.
5. This product must be installed by a person who is familiar with the construction and operation of the product and the hazards involved.
6. Risk of fire and electric shock. Most dwellings built before 1985 have supply wires rated at 140 degrees F. Consult a qualified electrician before beginning installation. If the supply wires are located within 3 inches of the driver, use wires rated at 194 degrees F.
7. Check ALL connections to be sure they are tight and correct before power is turned on to the fixture.
8. This fixture CAN NOT be used with a dimmer switch, motion sensor or remote device.
9. This fixture should not be recessed or positioned in any other orientation than horizontal mounting with the light source pointing down.
10. TURN OFF THE POWER FROM THE MAIN CIRCUIT BEFORE INSTALLING. Make sure that the fixture is grounded following the National Electrical Codes (NEC).

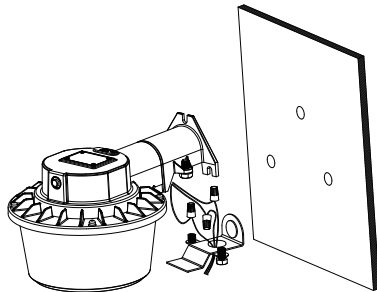
02 / INSTALLATION

WALL MOUNTING

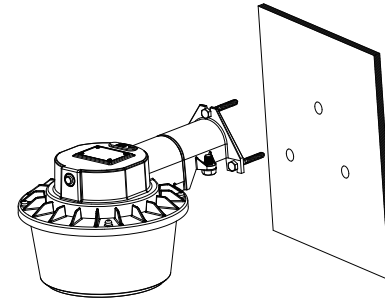
1. Drill three 3/16 holes in the wall or wood.



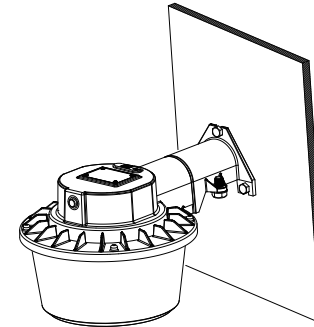
2. Take brackets out of accessory bag, then connect the power cord.



3. Lock the brackets back to body of the light with two screws.



4. At last, lock the light on the wall or wood with three screws.

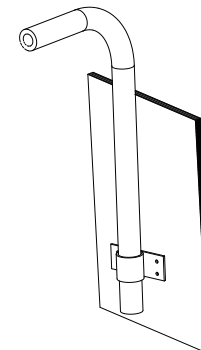


POLE MOUNTING

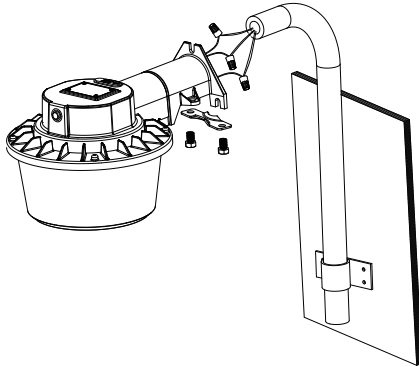
1. Drill four 3/16 holes in the wall.



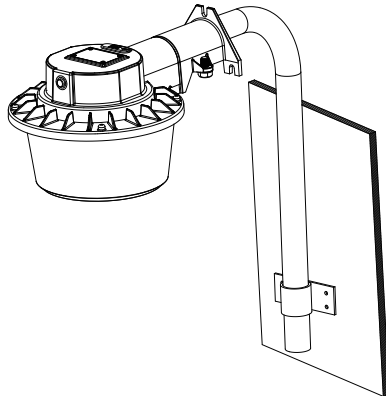
2. Fix the iron poles on wall with four expansion screws.



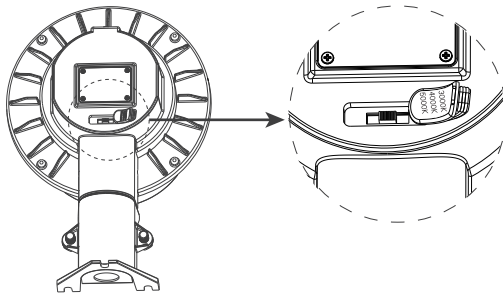
3. Take brackets out of accessory bag, then connect the power cord.



4. At last, lock the bracket to the light with two screws.



03 / HOW TO USE



Open the rubber cover to adjust the color temperature.

04 / TROUBLE SHOOTING GUIDE

If this fixture fails to operate properly, use the guide below to diagnose and correct the problem.

1. Verify that power is turned on at switch and breaker box.
2. Verify that fixture is wired properly.
3. Verify that the line voltage is correct.
4. Test if photocell works properly.

The photocell in this fixture is designed to turn on fixture light at low light levels.

If the light does not come on or stay on, test the photocell to see if it's operating properly by:

1. Cover photocell - light should come on.
2. Shine a flashlight into photocell - light should go off.

If fixture cycles on and off:

Light can reflect off any surrounding surface and can enter the photocell. To correct this problem, reposition the fixture or eliminate the reflective surface.

05 / WARRANTY

TORCHSTAR warrants that this product is free from defects in materials and workmanship for a period of 5 years from the day of purchase. If the product has been misused, damaged by accident or in any other way of improper use, this warranty becomes void.

06 / MANUFACTURER CONTACT INFO

Website: www.torchstar.us

E-mail Address: info@torchstar.us

Phone Number: 800-990-7688

TORCHSTAR