

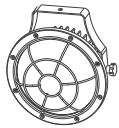
LED Swing Arm Dock Light

User Manual

O1 / WARNING

- Remove the parts from the box and check that all parts are present. Consult customer service if the proper parts were not received.
- Measure to find the proper mounting location. The recommended mounting height is approximately 80 inches from the floor and 12-18 inches from the edge of the door opening. Drill four holes using the base plate as a template.
- If you are mounting to a solid surface, it is advised that you use an M8 bolt.
- This dock light comes with a standard 3 prong US-style plug. Insert this into any standard 110V outlet.
- When using portable luminaires, basic safety precautions should always be followed to reduce the risk of fire, electric shock, and personal injury, including the following: Use quality safety glasses and leather gloves. Always read and follow all safety instructions included with all power tools. This unit is intended to be installed in dry or damp locations only.

O2 / PACKAGE CONTENT



LED Lamp × 1



Bracket × 1

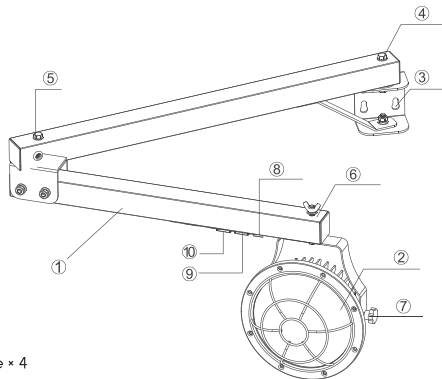


M8 explosion screws × 4



Screw nut × 1

O3 / PRODUCT DIAGRAM



- ① Bracket
- ② LED Lamp
- ③ M8 screw hole × 4
- ④ 180° rotatable joint
- ⑤ 330° rotatable joint
- ⑥ ⑦ 360° rotatable joint
- ⑧ Switch
- ⑨ ⑩ Receptacle on bracket

O4 / INSTALLATION

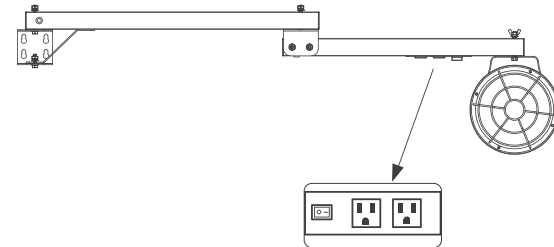
Tools Needed to Install		
Pneumatic drill	Monkey spanner	M14 Socket wrench
M8 drill bit	M8 Internal hexagonal wrench	

Step 1 Remove the parts from the box and ensure that all parts are present. Consult customer service if the proper parts were not received.

Step 2 Use the M8 drill bit to drill 4 holes according to the hole position, put the M8 screws into the hole, put it on the bracket, and then tighten it with a screw nut.

Step 3 Install the lamp on the bracket.

Step 4 Insert the plug into the socket on the bracket and finally insert the plug at the other end into the power socket. The installation is complete.



O5 / SPECIFICATIONS

LED Swing Arm Dock Light	
Power	50W
Voltage	100-277V AC
Beam angle	120°
Luminous flux	5500lm
Color temperature	5700K
Working temperature	-13°F-104°F
Material	Metal

O6 / WARRANTY

LEONLITE warrants that this product is free from defects in materials and workmanship for a period of 5 years from the day of purchase. If the product has been misused, damaged by accident or in any other way of improper use, this warranty becomes void.