

# LED Cylinder Wall Lamp

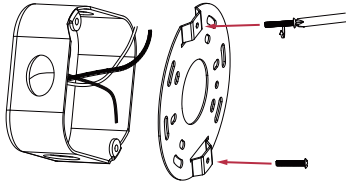
## User Manual

### 01 / WARNING

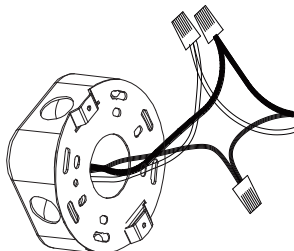
1. PLEASE READ THE PRODUCT SPECIFICATIONS CAREFULLY AND MAKE SURE THE ENVIRONMENT OF USAGE MEETS WHAT THE PRODUCT REQUIRES.
2. PLEASE DO NOT COVER ANYTHING ON THE LAMP TO AVOID HIGH TEMPERATURES.
3. PLEASE DO NOT PUT THIS PRODUCT IN WATER.
4. PLEASE keep this product away from fires, high temperature environments or corrosive gas which may shorten its service life.
5. PLEASE disconnect the power when installing or overhauling this lamp to avoid any risk of injury.
6. The installation and maintenance of this lamp MUST be performed by professionals.

### 02 / INSTALLATION

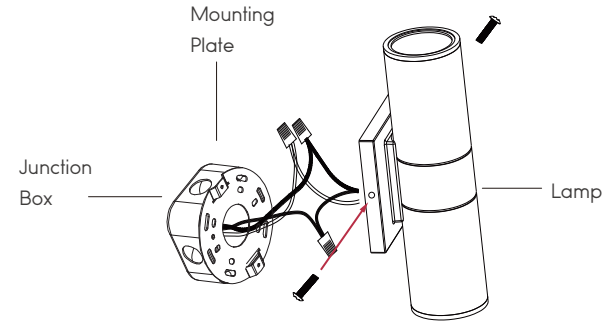
1. Open the package, take the lamp out, and make sure the LED lamp to be intact without damage.
2. Install the circular mounting plate to the junction box (not included) with the mounting screws by using a screwdriver (not included). Make sure that the internal wires from the junction box (not included) are pulled through the center hole of the mounting plate.



3. Take out the wire connectors from the attached bag. Connect the input wires from the lamp to the internal wires from the junction box (not included) to power the lamp. Make sure that the wires are connected correctly; black to black; white to white; ground to ground.



4. Use a screwdriver (not included) to screw in the screws to fix the lamp to the mounting plate and make sure that it's perfectly fixed. Make sure that the wires are not pinched between the mounting plate and the lamp.



### 03 / WARRANTY

LeonLite warrants that this product is free from defects in materials and workmanship for a period of 5 years from the day of purchase. This warranty does not apply if the product has been damaged through misuse, abuse, accident, modifications, alterations, neglect or mishandling.