

LED High Bay Shop Light Fixture

User Manual

01 / CAUTION

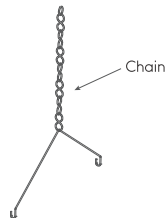
1. The installation and maintenance must be completed by electricians or professionals.
2. Please turn off the power before installation and maintenance.
3. The thermally insulating material is not allowed to cover the fixture.
4. Please keep the fixture away from the corrosive substance, and keep it dry and clean.

02 / SPECIFICATION

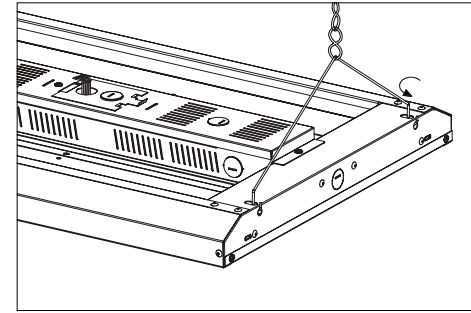
Part No.	Power	Input Current	Input Voltage	Frequency	PF	THD	Luminous Flux	CCT	Ra	Lifespan	Warranty
ST3LHB-165W50-2FT	165W	1.6A	AC120-277V	50/60Hz	>0.9	<20%	21,450lm	5000K	80	50,000hrs	5 years
ST3LHB-225W50-4FT	225W	2A					29,250lm				

03 / INSTALLATION

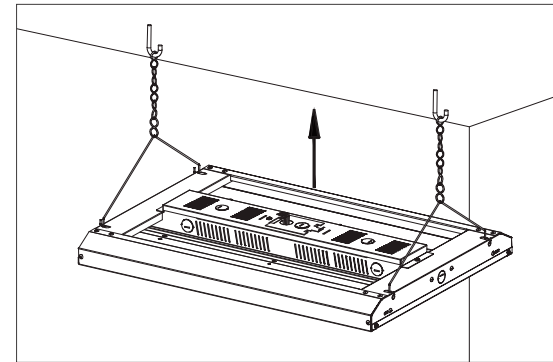
1. Hook the chain as shown below.



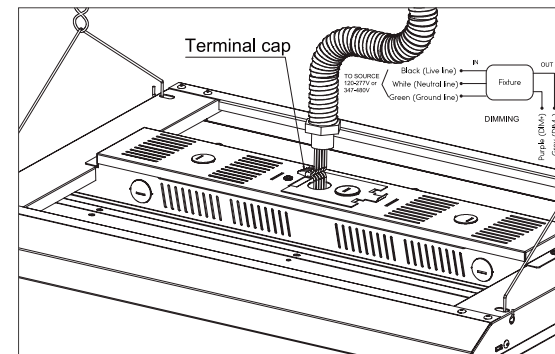
2. Insert the hook into the slotted holes as shown below.



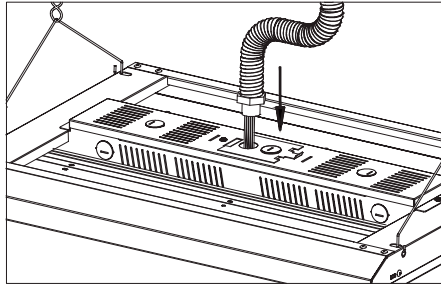
3. Hook up the chain on the ceiling anchor.



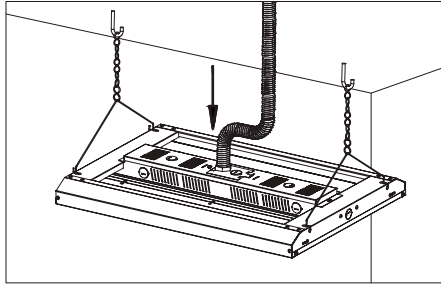
4. Turn off power, and make wiring connections with the terminal cap (see wiring instruction below)



5. Insert the terminal cap and wires into the driver box.



6. Insert the wire terminal joint to the wire entry. Installation completed.



O4 / WARRANTY

LeonLite warrants that this product is free from defects in materials and workmanship for a period of five years from the day of purchase. This warranty does not apply if the product has been damaged through misuse, abuse, accident, modifications, alterations, neglect or mishandling.

LeonLite