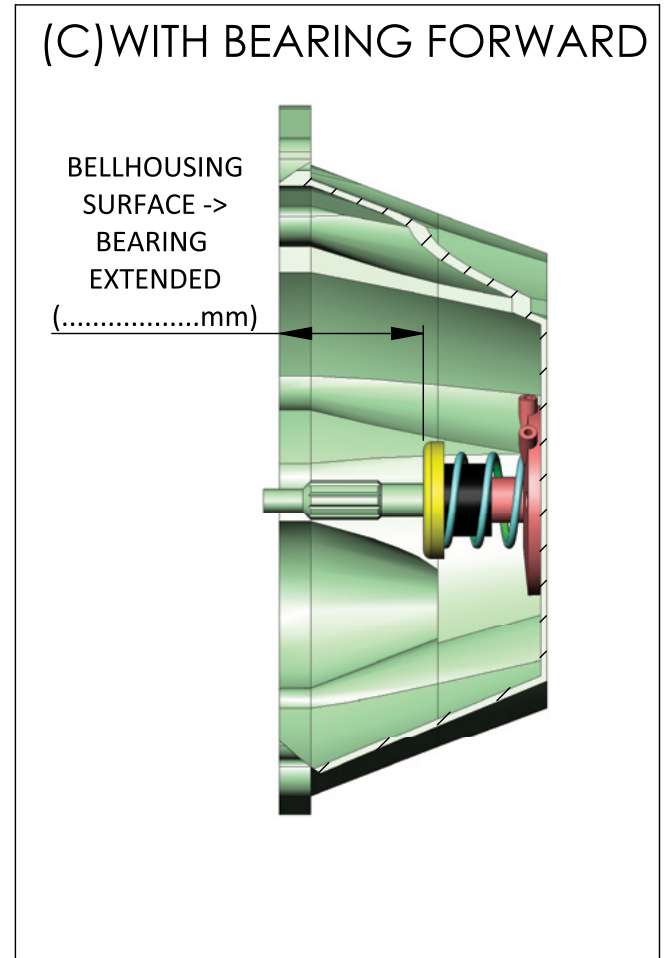
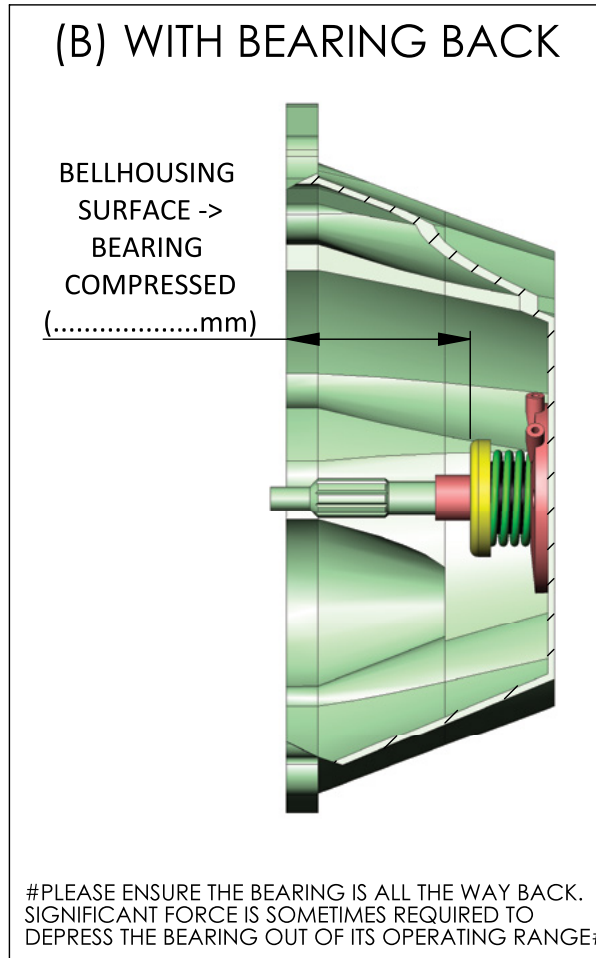
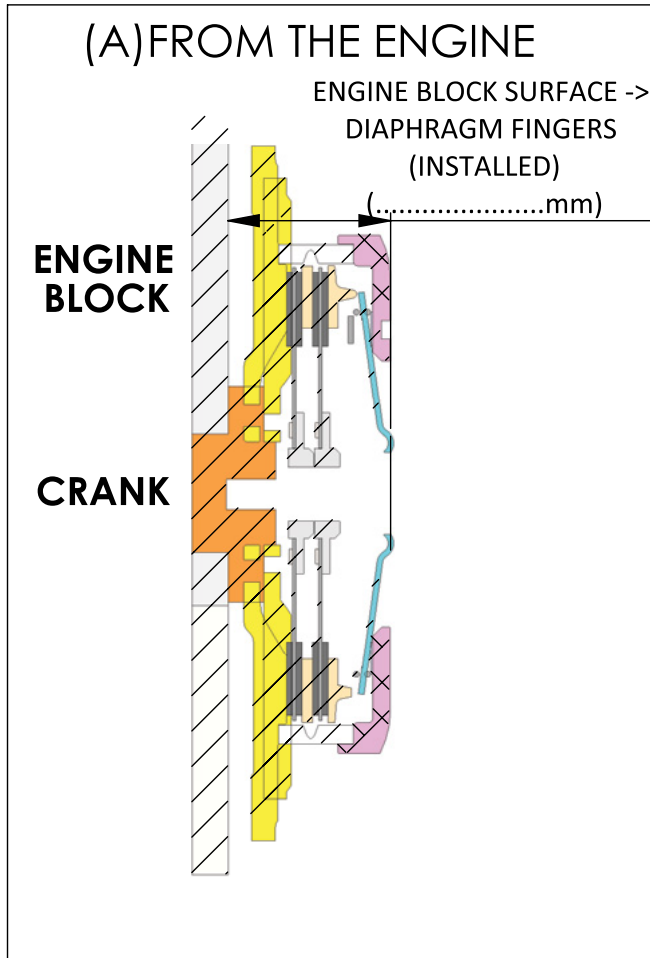




TSB-202 RACING CLUTCH RELEASE BEARING SETUP & CHECK



CALCULATED VALUES MUST BE EQUAL TO OR LARGER THAN THE VALUES ON THE RIGHT
 ROOM FOR CLUTCH WEAR = $B-A = \dots \geq 4\text{mm}$
 CLUTCH RELEASE TRAVEL = $A-C = \dots \geq 8\text{mm}$



LEADING BRANDS



Scan QR to view Clutch Tech video

