



Pump & Motor Division



ENGINEERING YOUR SUCCESS.

- **Three-piece cast iron construction**
High efficiency and long life in severe operating environments.
- **Low friction bushing**
Provides strength in heavy duty applications.
- **Balanced thrust plates**
Optimize pump efficiency.
- **Largest journal bearings available**
for high pressure and long life.



Product Features	Description
Pump Type	Heavy-duty, cast iron, external gear
Mounting	SAE standard flanges, ZF, others
Ports	SAE split flanges and other types of threaded ports, see Specifications
Shaft Style	SAE splined, keyed, and others, see Specifications
Maximum Speed	400 - 3000 rpm, see Specifications
Theor. displacement	See Specifications
Drive	Clockwise, counterclockwise, double. Direct drive with flexible coupling is recommended. Pumps subject to radial loads must be specified with an outboard bearing. Axial loading is not allowed.
Inlet pressure	30 psia (15psig) maximum pressure / 5 in. Hg maximum vacuum at operating temperature
Outlet pressure	See Specifications
Hydraulic fluids	Mineral oil, fire resistant fluids: water-oil emulsions 60/40, MFB; water-glycol, HFC; phosphate-esters, HFD (FPM seals required)

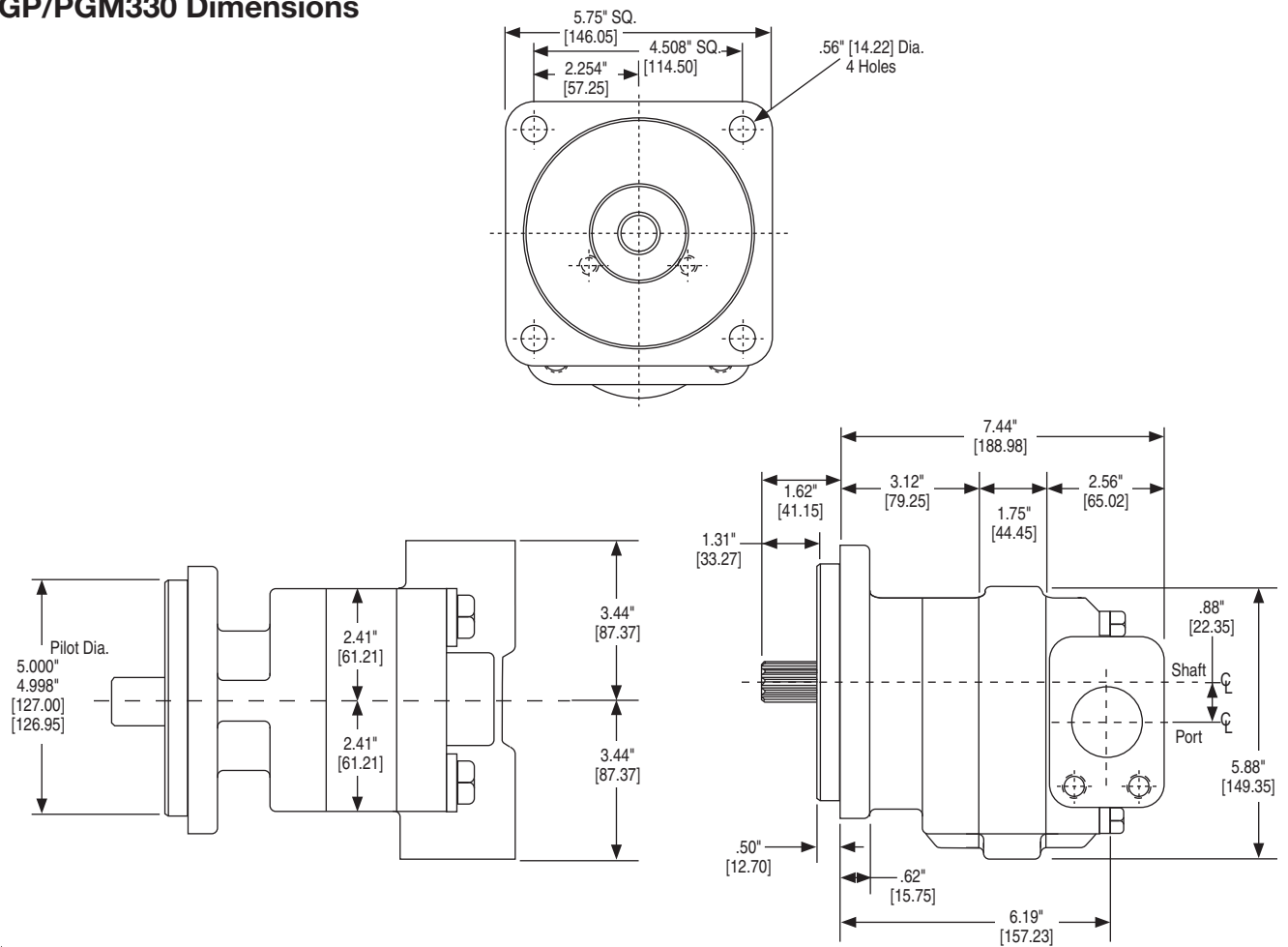
Product Features	Description
Fluid viscosity	From 7.5 to 1600 cSt (50 to 7500 sus). Recommended 15 to 75 cSt.
Fluid temperature	Mineral oil with standard seals: 0°F to 180°F (-20°C to 80°C); Fire resistant fluids HFB, HFC: 0°F to 150°F (-20°C to 65°C)
Filtration	ISO 4406 code: <ul style="list-style-type: none"> • 19/16 at 2000 psi/140 bar • 17/14 at 3000 psi/210 bar • 15/12 at 4000 psi/275 bar
Direction of rotation (looking at the drive shaft)	CW, CCW, Bi-Rotational
Multiple pump assemblies	Up to 6 gear selections of the same model, even with different gear widths
Separate or common inlet capability	Common

PGP/PGM330 Specifications

PGP330 Frame Size	05	07	10	12	15	17	20
Displacement – cm ³ /rev (in ³ /rev)	16.1 (0.99)	24.2 (1.48)	32.3 (1.97)	40.4 (2.46)	48.4 (2.96)	56.5 (3.45)	64.6 (3.94)
Max continuous pressure – bar (psi)	241 (3,500)	241 (3,500)	241 (3,500)	241 (3,500)	241 (3,500)	224 (3,250)	207 (3,000)
Max Speed – RPM	3,000	3,000	3,000	3,000	3,000	3,000	3,000
Approximate Weight – Lbs. [kg]	33.6 [15.2]	34.8 [15.8]	36 [16.3]	37.3 [16.9]	38.5 [17.5]	40 [18.1]	41.3 [18.7]

PGM330 Frame Size	05	07	10	12	15	17	20
Displacement – cm ³ /rev (in ³ /rev)	16.1 (0.99)	24.2 (1.48)	32.3 (1.97)	40.4 (2.46)	48.4 (2.96)	56.5 (3.45)	64.6 (3.94)
Max continuous pressure – bar (psi)	241 (3,500)	241 (3,500)	241 (3,500)	241 (3,500)	241 (3,500)	224 (3,250)	207 (3,000)
Max Speed – RPM	3,000	3,000	3,000	3,000	3,000	3,000	3,000
Approximate Weight – Lbs. [kg]	33.6 [15.2]	34.8 [15.8]	36 [16.3]	37.3 [16.9]	38.5 [17.5]	40.0 [18.1]	41.3 [18.7]

PGP/PGM330 Dimensions



PGP/PGM330 Performance Data

PGP330 Pump Performance Data

Speed RPM	Output Flow Input Power	Gear Widths						
		1/2"	3/4"	1"	1-1/4"	1-1/2"	1-3/4"	2"
900	GPM	3.2	5.1	7.0	8.8	10.6	12.4	14.3
	LPM	12	19	26	33	40	47	54
	HP	9	13	17	21	26	28	29
	kW	6	10	13	16	19	21	22
1200	GPM	4.5	7.0	9.5	12.0	14.5	16.9	19.4
	LPM	17	26	36	45	55	64	73
	HP	11	17	23	28	34	37	39
	kW	8	13	17	21	25	28	29
1500	GPM	5.8	8.9	12.1	15.2	18.3	21.4	24.5
	LPM	22	34	46	57	69	81	93
	HP	14	21	28	35	43	46	49
	kW	11	16	21	26	32	34	36
1800	GPM	7.1	10.8	14.7	18.4	22.1	25.9	29.6
	LPM	27	41	55	70	84	98	112
	HP	17	26	34	43	51	55	58
	kW	13	19	25	32	38	41	44
2100	GPM	8.4	12.7	17.2	21.6	26.0	30.3	34.7
	LPM	32	48	65	82	98	115	131
	HP	20	30	40	50	60	65	68
	kW	15	22	30	37	44	48	51
2400	GPM	9.6	14.7	19.8	24.8	29.8	34.8	39.8
	LPM	36	55	75	94	113	132	151
	HP	23	34	45	57	68	74	78
	kW	17	25	34	42	51	55	58
3000	GPM	12.2	18.5	24.9	31.2	37.5	43.8	50.1
	LPM	46	70	94	118	142	166	190
	HP	28	43	57	71	85	92	97
	kW	21	32	42	53	64	69	73

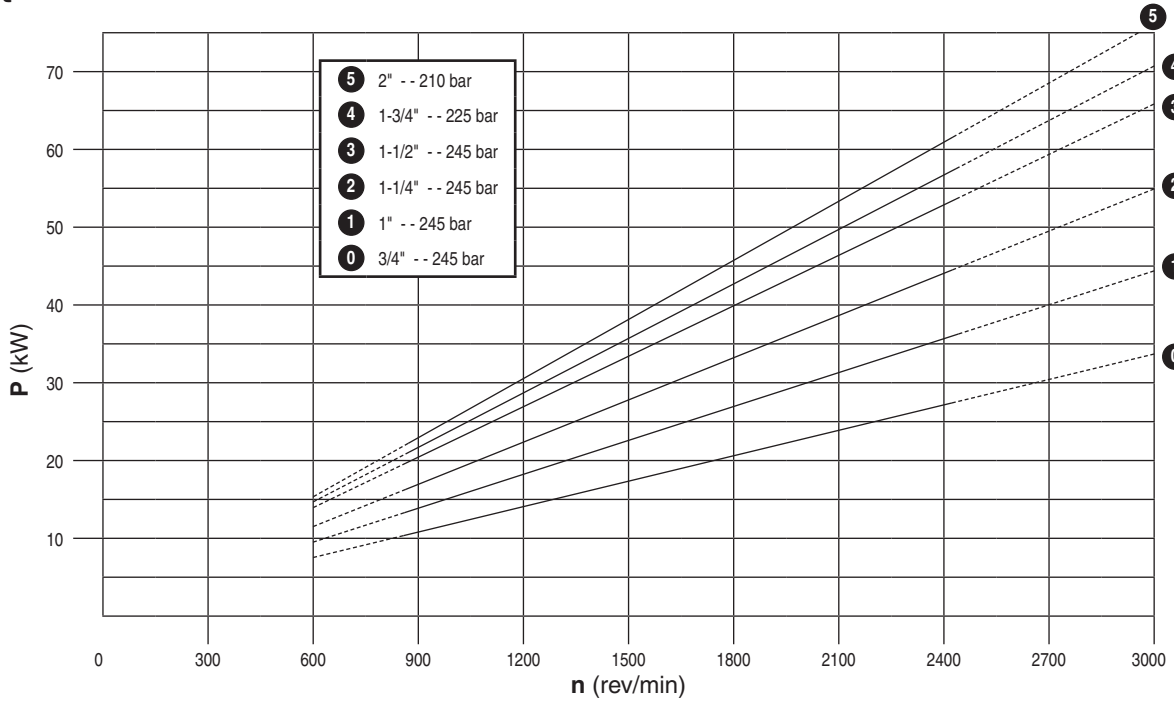
PGM330 Motor Performance Data

Speed RPM	Output Torque	Gear Widths									
		1" 3500 psi		1-1/4" 3500 psi		1-1/2" 3500 psi		1-3/4" 3250 psi		2" 3000 psi	
		A	B	A	B	A	B	A	B	A	B
900	in/lbs	10.1	1010	12.3	1270	14.5	1530	16.7	1665	19.0	1770
	Nm	38	114.1	47	143.5	55	172.9	63	188.1	72	200.0
1200	in/lbs	12.8	1005	15.7	1265	18.6	1525	21.4	1660	24.3	1760
	Nm	49	113.6	59	142.9	70	172.3	81	187.6	92	198.9
1500	in/lbs	15.6	1000	19.1	1255	22.6	1515	26.1	1650	29.6	1750
	Nm	59	113.0	72	141.8	85	171.2	99	186.4	112	197.7
1800	in/lbs	18.4	995	22.5	1250	26.6	1505	30.8	1640	34.9	1740
	Nm	69	112.4	85	141.2	101	170.0	116	185.3	132	196.6
2100	in/lbs	21.1	990	25.9	1240	30.7	1495	35.4	1625	40.2	1720
	Nm	80	111.9	98	140.1	116	168.9	134	183.6	152	194.3
2400	in/lbs	23.9	985	29.3	1235	34.7	1480	40.1	1605	45.5	1695
	Nm	90	111.3	111	139.5	131	167.2	152	181.3	172	191.5
3000	in/lbs	29.2	980	35.9	1230	42.6	1475	49.3	1595	56.0	1685
	Nm	110	110.7	136	139.0	161	166.7	186	180.2	212	190.4

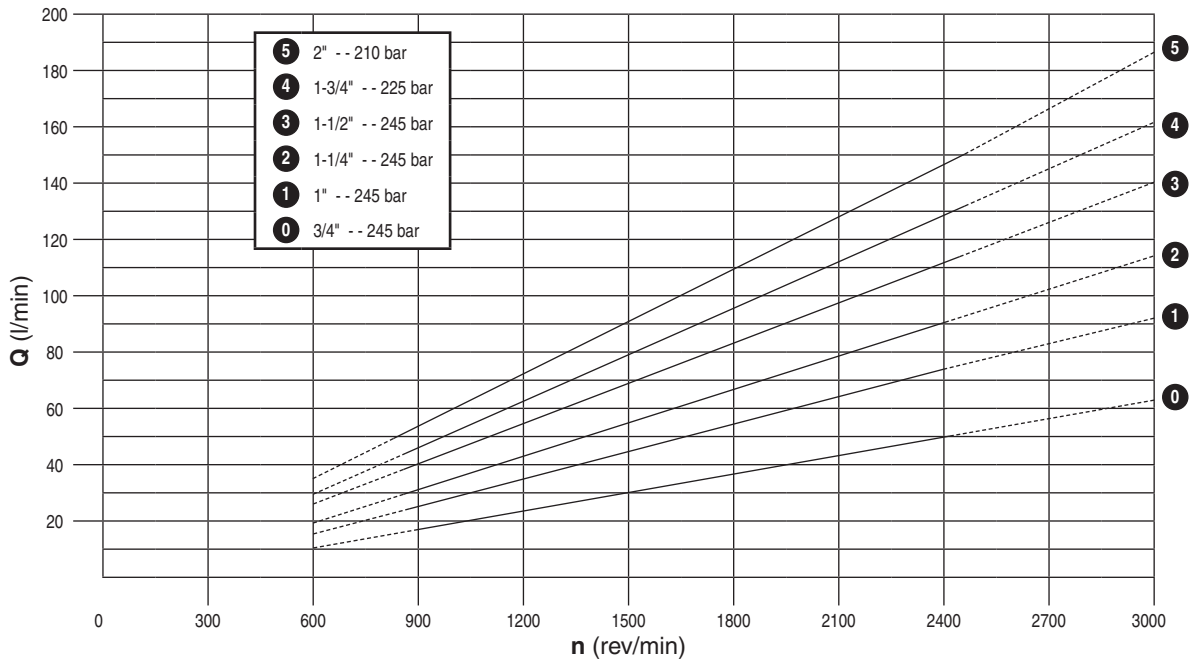
A: Input Flow GPM/LPM; B: Output Torque IN/LBS/Nm

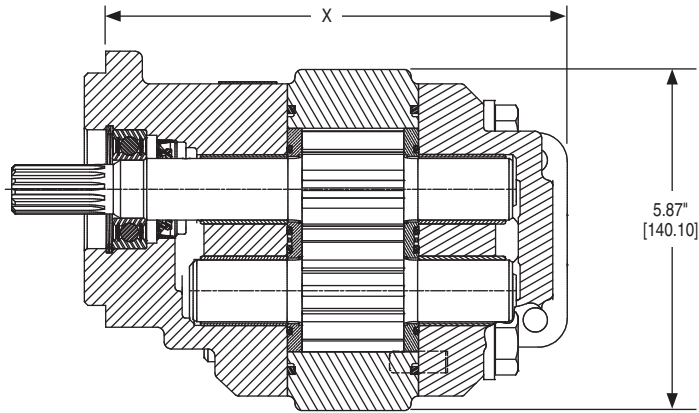
Note: In accordance with our policy of continuing product development, we reserve the right to change specifications shown in this catalog without notice.

Input



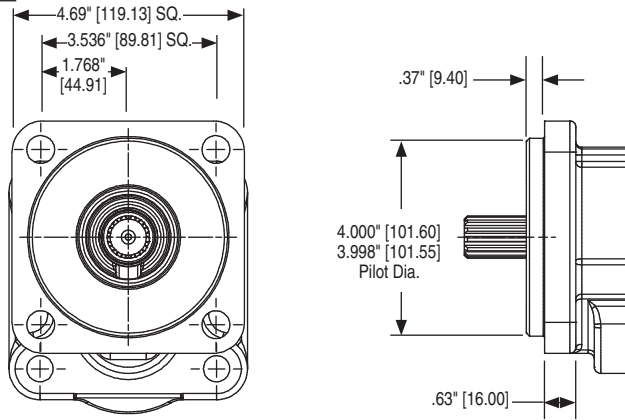
Output



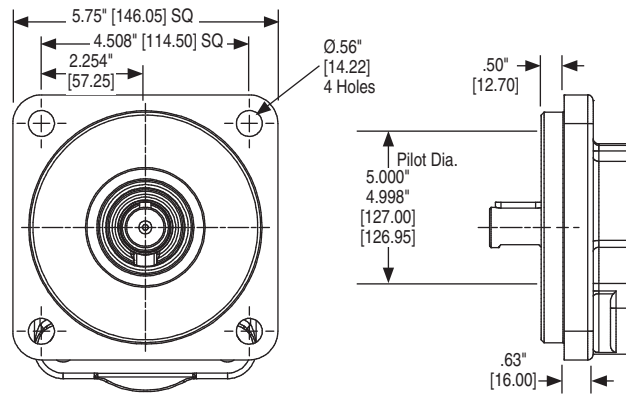


X DIMENSION							
SEC CODE	05	07	10	12	15	17	20
42	6.69" [169.93]	6.94" [176.28]	7.19" [182.63]	7.44" [188.98]	7.69" [195.33]	7.94" [201.68]	8.19" [208.02]
78	6.69" [169.93]	6.94" [176.28]	7.19" [182.63]	7.44" [188.98]	7.69" [195.33]	7.94" [201.68]	8.19" [208.02]
97	6.69" [169.93]	6.94" [176.28]	7.19" [182.63]	7.44" [188.98]	7.69" [195.33]	7.94" [201.68]	8.19" [208.02]

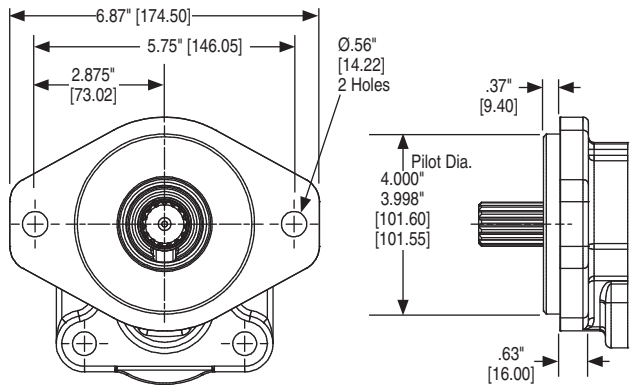
42 SAE B 4-Bolt

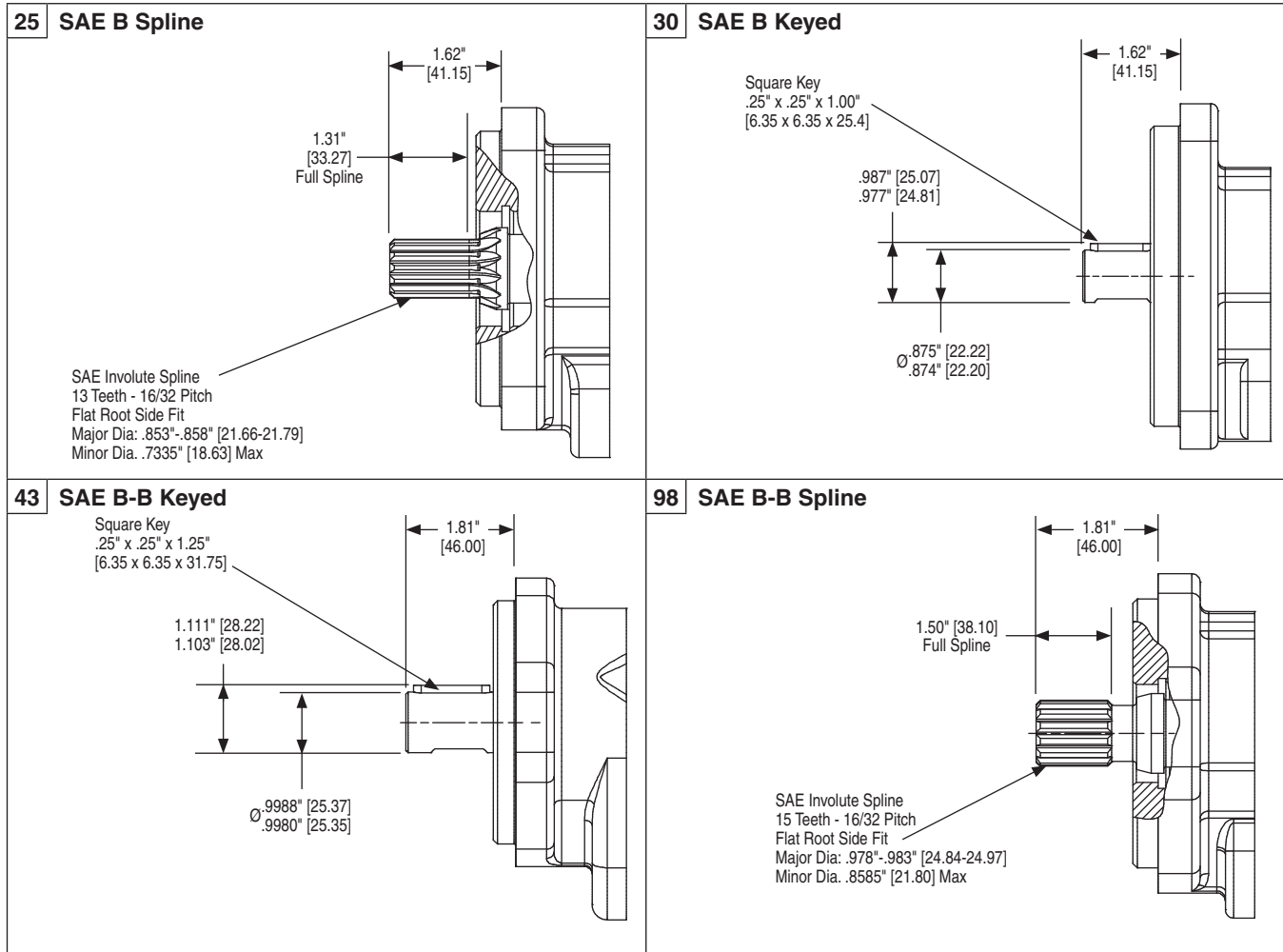


78 SAE C 4-Bolt



97 SAE B 2-Bolt





Shaft Style		Integral: 1 2 pieces: 2	Maximum Torque	
			lb-ft	Nm
SAE A	Splined - 9 Teeth	1	-	-
	5/8" Keyed	1 2	- -	- -
SAE B	Splined - 13 Teeth	1 2	242 159	328 215
	7/8" Keyed	1 2	167 159	226 215
SAE BB	Splined - 15 Teeth	1 2	371 159	503 215
	1" Keyed	1 2	250 159	339 215
SAE C	Splined - 14 Teeth	1 2	- 159	- 215
	1.25" Keyed	1 2	- 159	- 215
		Connecting Shaft		159

Torque (lb-ft) = $\frac{\text{Pressure (PSI)} \times \text{Displacement (in}^3\text{/rev)}}{75.4}$

Torque (Nm) = $\frac{\text{Pressure (Bar)} \times \text{Displacement (cc/rev)}}{62.8}$