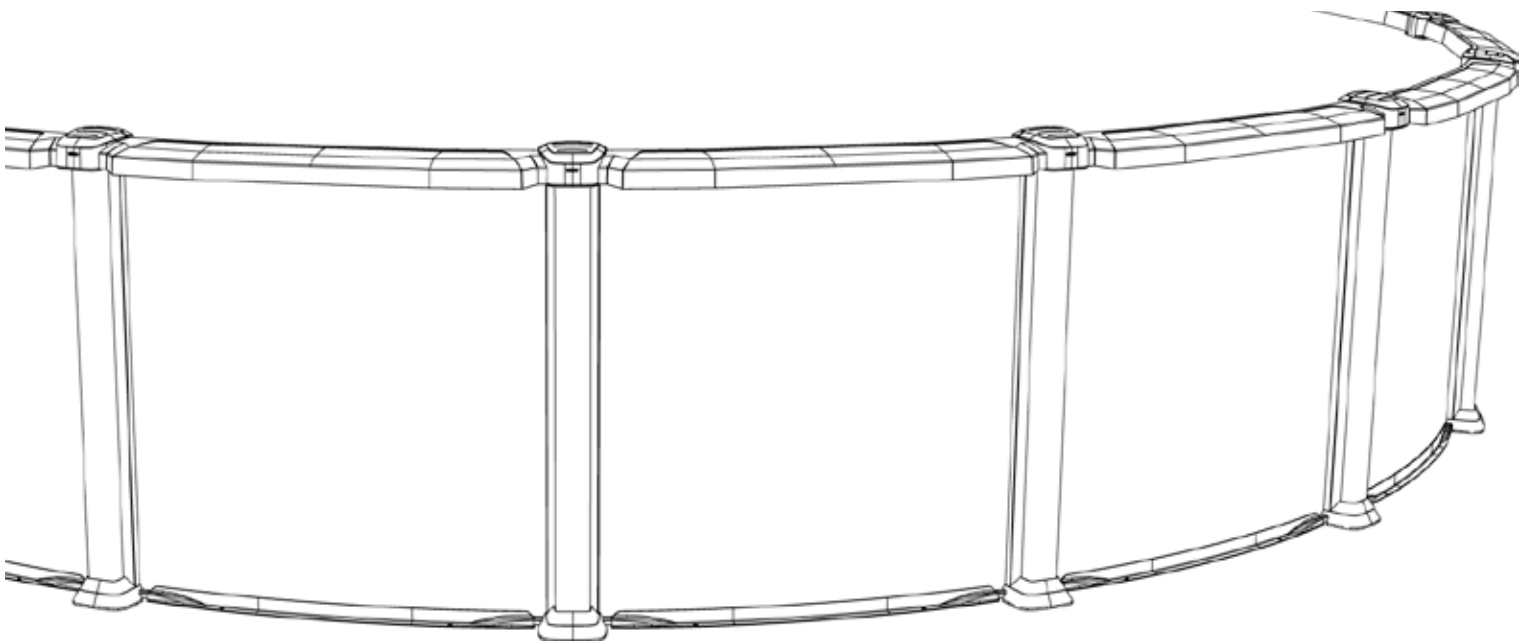


**LIBERTY
ELIXIR
JAVA | JAVA LX**



**ABOVE GROUND POOL
OVAL INSTALLATION MANUAL**

V35010

ABOVE GROUND POOL SAFETY

PLEASE READ BEFORE INSTALLATION



WARNING

FAILURE TO HEED THESE WARNINGS CAN RESULT IN PERMANENT INJURY, PARALYSIS FROM A BROKEN NECK, ELECTROCUTION OR DROWNING.

THIS POOL IS NOT DESIGNED FOR DIVING OR JUMPING!
DANGEROUS INJURY CAN RESULT. SHALLOW WATER!

Carefully read, understand and follow all information in this user manual before installing and using the swimming pool. These warnings, instructions and safety guidelines address some common risks of water recreation, but they cannot cover all risks and dangers in all cases. Always use caution, common sense and good judgment when enjoying any water activity. **RETAIN THIS INFORMATION FOR FUTURE USE.**

Your pool contains a large quantity of water, and is deep enough to present inherent dangers to life and health unless the following safety rules are strictly observed. First-time users run the highest risk of injury. Make sure everyone understands and encourage all users especially children to learn how to swim. Learn Basic Life Support (Cardiopulmonary Resuscitation-CPR) and refresh this knowledge regularly. Instruct all pool users, including children, what to do in case of an emergency. Keep a working phone and a list of emergency phone numbers near the pool. This can make a life-saving difference in the event of an emergency. To ensure your pool is used safely you **MUST** observe the following safety precautions:

1. NO JUMPING OR DIVING

The top rail of your pool is not a walkway and must not be used for jumping or diving. Do not permit jumping or diving into the pool from a deck or the top rail of the pool. Diving or jumping into the pool can result in serious injury.

2. NEVER USE THE POOL ALONE

Never permit the pool to be used unless it is attended by at least one person other than the bather. Someone should always be available to lend assistance in an emergency. Designate a competent adult to supervise the pool each time it is being used. Vigilant supervision of weak swimmers and non-swimmers by a competent adult is required at all times, remembering that children under five are at the highest risk of drowning.

3. NEVER LEAVE CHILDREN UNATTENDED

Never leave a child alone and unsupervised in or near the pool—not even for a second. There is no substitute for constant adult supervision.

4. NO ROUGH PLAY

Do not permit "roughhousing" in and around your pool. Surfaces can become slippery and hazardous when wet.

5. LIGHT THE POOL AT NIGHT

If the pool is used after dusk, adequate lighting must be provided. Illumination in the pool area must be sufficient to clearly judge pool depth and all features in and around the pool. For lighting recommendations, consult your local licensed electrical contractor

6. RESTRICT ACCESS TO THE POOL

Do not leave chairs or other furniture beside the pool that could be used by a child to climb up into the pool. Ladders must be removed whenever the pool is unattended. A fence with a lockable gate around the pool or yard is strongly recommended and may be required by law in some jurisdictions. Secure doors and windows, where applicable to prevent unauthorized access to the swimming pool. Remove all toys from the swimming pool and surrounding area when not in use to avoid attracting children to the pool. Barriers, pool covers, pool alarms or similar safety devices are helpful aids, but they are not substitutes for continuous adult supervision.

7. NO ALCOHOL OR DRUGS

Never drink alcoholic beverages, use any intoxicants or medication which could hinder your judgment and reflexes.

8. KEEP YOUR POOL CLEAN AND SANITARY

Your filter system will remove suspended particles from the water and the surface skimmer will remove insects, leaves and other debris from the water surface. Use the correct pool chemicals as directed to destroy harmful bacteria and prevent formation of algae. Remember, unsanitary water is a serious health hazard.

9. KEEP OFF TOP LEDGES

Do not walk on top ledges. They can be slippery and they are not a walkway.

10. POOL COVER SAFETY

The cover must have a tamperproof locking retainer cable that positions the cover around the pool wall and keeps it securely in place. Never allow anyone, especially small children on the cover. Asphyxiation or drowning could result. Be sure to remove pool cover completely from the water surface before entering the pool. When purchasing any pool cover, please consult a swimming pool professional.

11. ELECTRICAL HAZARD

Never touch or attempt to service electrical equipment, including the filter when your body and/or the ground is wet. Electrocution or permanent injury due to high voltage (120V AC) could result. The pool should be bonded in accordance with Section 680-26 of the National Electrical Code. For further assistance contact your dealer or a local licensed electrician. Do not use pool during electrical or rain storms.

12. SAFETY EQUIPMENT

Keep a safety rope 1/4" by 50" with a flotation buoy with an outside diameter of 15". Have accessible in a prominent area by your pool. Keep a pole not less than 16 feet (4,88m) long with a blunt or hook end available at poolside in case of emergencies. Weak swimmers and non-swimmers should wear personal protection equipment when using the pool.

13. POOL CHEMICALS

Store pool chemicals out of the reach of children. Do not place chlorine, chlorine tablets or sticks directly into skimmer, or winterize your pool with liquid chlorine. Damage to the skimmer, pool liner and filter will result. Failure to obey this instruction will void all component warranties. Always follow chemical manufacturer's instructions when storing, handling and dispensing pool chemicals.

14. CHECK FOR DAMAGE

Periodically check your pool and ladder components for damage and wear. Be sure all screws are in place. Replace all damaged or worn components and tighten all screws before you use the pool, deck or ladders. At first sign, remove rust and touch up immediately.

15. POOL PARTS

Never modify the pool or accessories, or remove or drill holes in the pool, deck or ladder components unless instructed. Your pool wall is made of thin metal, there is an inherent cut hazard with metal so use gloves during installation. Always use Original Equipment Manufactured parts for your replacement parts.

FOLLOW ALL SAFETY INSTRUCTIONS

Read and follow all safety instructions packaged with pool, ladder, deck or any other accessory. Additional pool safety publications can be obtained by contacting: The Association of Pool & Spa Professionals (www.apsp.org)



IMPORTANT NOTICE READ BEFORE INSTALLATION!

The safety stickers must be installed as per following instructions. Failure to properly install warning labels will void warranty. Failure to mount these safety labels may subject you to substantial liability in case of injury. These warnings are not to be removed under any circumstances! If they become discolored or fall off please request replacements which will be sent at no charge.

PLACE SIGN ON LINER ABOVE WATER LINE, OPPOSITE ENTRY TO POOL



PLACE SIGN ON WALL NEXT TO POOL ENTRY



REMEMBER TO WATCH CHILDREN



IMPORTANT INFORMATION ABOUT YOUR LINER

We do not make or supply liners for our pools.

Please contact your liner's manufacturer with questions or if instructions are not included with the liner.

Liner must be installed per the liner manufacturer's instructions.

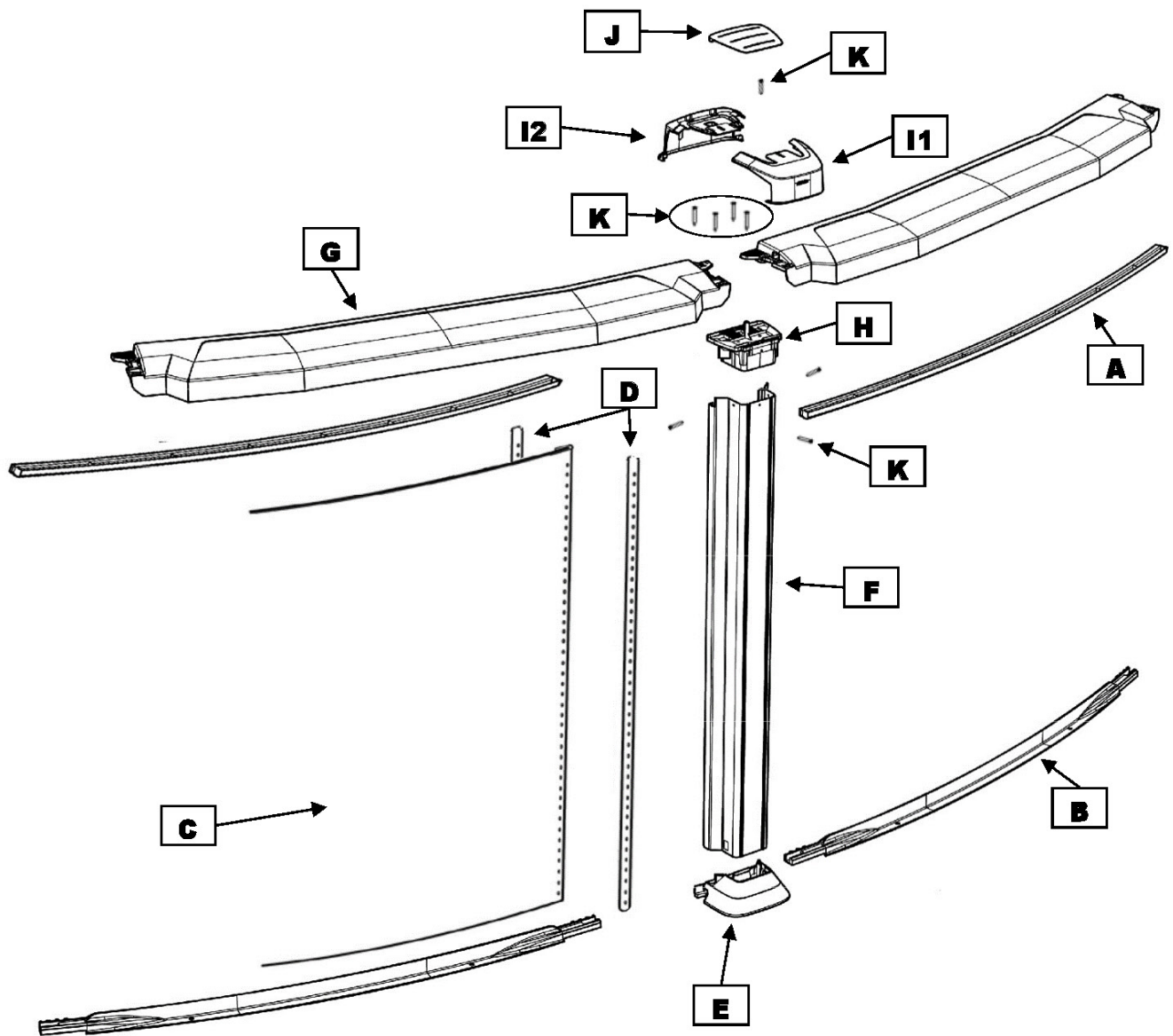
Incorrect liner installation may void the warranty.

Section
1

GENERAL INSTRUCTIONS - OVAL POOLS
GROUND PREPARATION

PARTS LISTING

Liberty RTR
PLIB-52RSRRRRQ11
Round



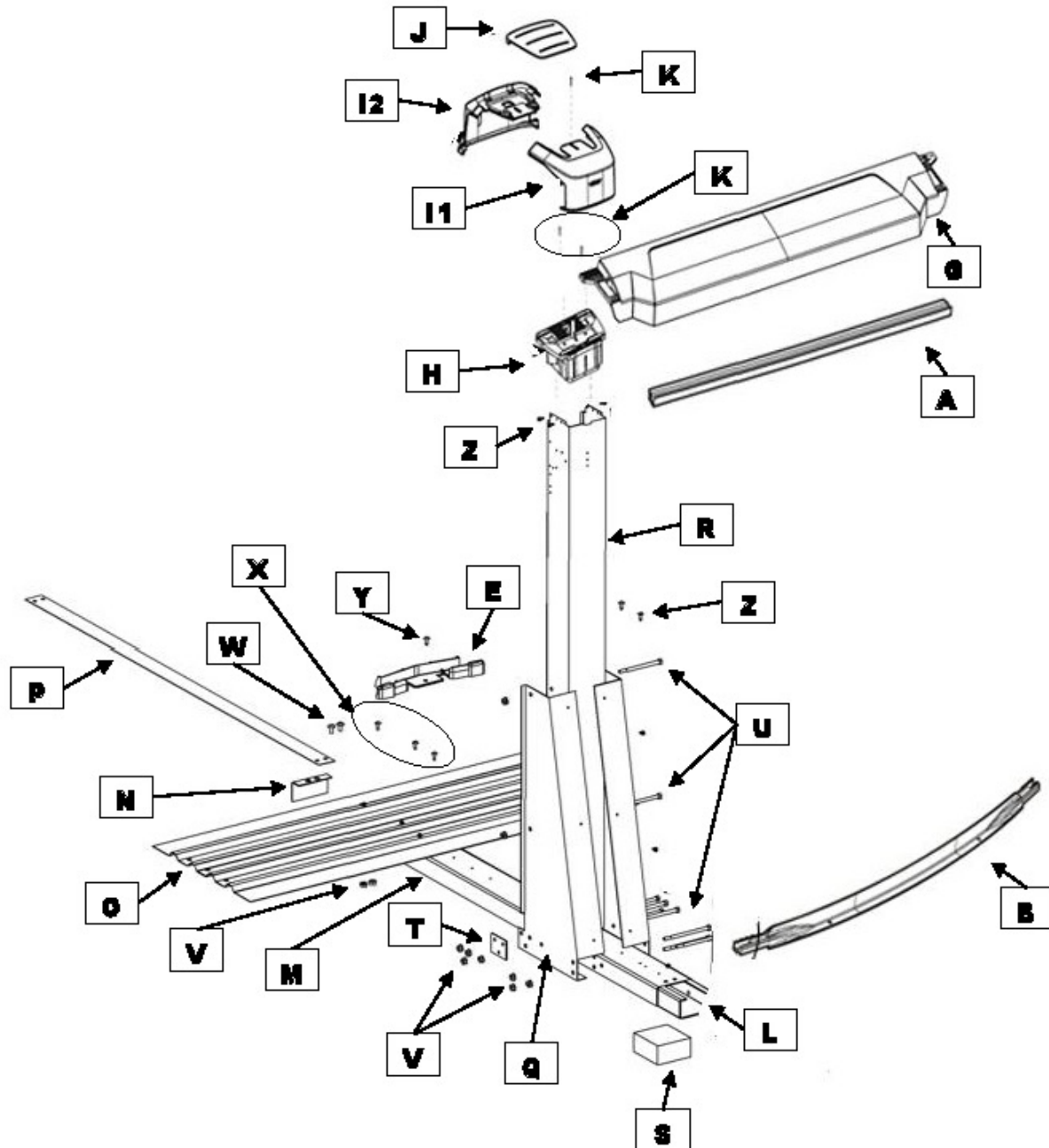
! **IMPORTANT NOTE:**
Make sure you have all the parts necessary before you start installation.

Section
1

GENERAL INSTRUCTIONS - OVAL POOLS
GROUND PREPARATION

PARTS LISTING

Liberty RTR
PLIB-YM52RSRRRRQ11
Yardmore
Straight Section



Section 1

GENERAL INSTRUCTIONS - OVAL POOLS GROUND PREPARATION

PARTS LISTING

Product Description:		Liberty Oval		Revised Sept 2019					
Product Code:		PLIB-YM52RSRRRQ11							
Index#	Description	Part #	Quantity required for installation (by pool size)						
			1216	1218	1220	1224	1526	1530	1833
A	Stabilizer (Round section)	1071507160000	4	6	6	6	8	8	10
A	Stabilizer (Straight section)	10707000042	2	6	2	4	4	6	6
A	Stabilizer-transition (End of straight section)	1071507160010	4		4	4	4	4	4
B	Bottom rail (Section round)	1081507000000	4	6	6	6	8	8	10
B	Bottom rail (Straight section)	10807000042	2	6	2	4	4	6	6
B	Bottom rail-transition (End of straight section right)	1081507000020	2		2	2	2	2	2
B	Bottom rail-transition (End of straight section left)	1081507000030	2		2	2	2	2	2
C	Steel wall		1	1	1	1	1	1	1
D	Steel bar	11823	2	2	2	2	2	2	2
E	Bottom plate	11202350000	6	8	8	8	10	10	12
E	Bottom plate (straight section)	10402000000	4	4	4	6	6	8	8
F	Upright	10202350002	6	8	8	8	10	10	12
G	Top ledge	10102350000	8	6	10	10	12	12	14
G	Top Ledge (straight section)	10102350042	2	6	2	4	4	6	6
H	Top plate	11102350000	10	12	12	14	16	18	20
I1	Ledge cover (front part)	10302350000	10	12	12	14	16	18	20
I2	Ledge cover (back part)	10302350010	10	12	12	14	16	18	20
J	Ledge cover plate	10302350030	10	12	12	14	16	18	20
K	Pan Phil SS #12,1 TYPE A	2PPS121	60	70	70	80	90	100	110
L	Under channel	15933	4	4	4	6	6	8	8
M	Steel strap end channel	16539	4	4	4	6	6	8	8
N	Oval channel end cap	22726	4	4	4	6	6	8	8
O	Steel pressure plate	16549	4	4	4	6	6	8	8
P	Strap 12'	16724	4	4	4	6			
P	Strap 15'	16725					9	12	
P	Strap 18'	16726							12
Q	Right gusset	33091	4	4	4	6	6	8	8
Q	Left gusset	33090	4	4	4	6	6	8	8
R	Straight side steel upright 52"	10003	4	4	4	6	6	8	8
S	Foam Block	29917	4	4	4	6	6	8	8
T	Washer 3 holes	16663	8	8	8	12	12	16	16
U	Bolt 5" x 5/16 - 18	99-0073	40	40	40	60	60	80	80
V	Nut 5/16 - 18	99-0027	52	52	52	84	84	112	112
W	Screw 1/2" x 5/16 - 18	99-0026	12	12	12	24	24	32	32
X	Screw 1/2" #10	99-0068	34	34	34	46	46	58	58
Y	Screw #10x1" 1-8SS PHLHX A FLTHRDW/WS	99-0070	5	5	5	10	10	10	10
Z	Stainless steel screw 12 x 3/4"	V12x34	60	60	60	80	80	105	105
*	Hardware bag	1051216350	1						
*	Hardware bag	1051220350		1	1				
*	Hardware bag	1051224350				1			
*	Hardware bag	1051526350					1		

**Section
1**

**GENERAL INSTRUCTIONS - OVAL POOLS
GROUND PREPARATION**

PARTS LISTING

Product Description:		Liberty Oval	Revised Sept 2019						
Product Code:		PLIB-YM52RSRRRRQ11							
			Quantity required for installation (by pool size)						
Index#	Description	Part #	1216	1218	1220	1224	1526	1530	1833
*	Hardware bag	1051530350						1	
*	Hardware bag	1051833350							1
**	Hardware bag for wall	1050000054	1	1	1	1	1	1	1
***	Hardware bag	16720	1	1	1	1	1	2	2
***	Hardware bag	16722				1	1		
****	Hardware bag	10522122	1	1	1				
****	Hardware bag	10522124				1	1		
****	Hardware bag	10522123						1	1
	Truss phill 18-8 bolts 18-8 1/4-0x3/4	99-0023	31	31	31	31	31	31	31
	Flange nuts S/S 1/4-20 Serrated	2FGS422	31	31	31	31	31	31	31
	Installation DVD	SACWBI36875	1	1	1	1	1	1	1

* In the hardware bag you will find parts: #2PPS121

** In the hardware bag for wall you will find parts: #99-0023 - #2FGS422

*** In the hardware bag you will find parts: #99-0073 - #99-0027 - 16663

**** In the hardware bag you will find parts: #99-0073 - #99-0070 - #99-0068 - #99-0027 - #99-0026 - #V12x34

Section 1

GENERAL INSTRUCTIONS - OVAL POOLS GROUND PREPARATION

PARTS LISTING

Product Description:			Liberty Oval			Revised Sept 2019			
Product Code:			PLIB-YM52RSRRRRQ11						
Index#	Description	Part #	Quantity required for installation (by pool size)						
			1840	1844	2143				
A	Stabilizer (Round section)	1071507160000	10	10					
A	Stabilizer (Round section)	1072407160000			10				
A	Stabilizer (Straight section)	10707000042	10	12	12				
A	Stabilizer-transition (End of straight section)	1071507160010	4	4					
A	Stabilizer-transition (End of straight section)	1072407160010			4				
B	Bottom rail (Section round)	1081507000000	10	10					
B	Bottom rail (Section round)	1082407000000			10				
B	Bottom rail (Straight section)	10807000042	10	12	12				
B	Bottom rail-transition (End of straight section right)	1081507000020	2	2					
B	Bottom rail-transition (End of straight section left)	1081507000030	2	2					
B	Bottom rail-transition (End of straight section right)	1082407000020			2				
B	Bottom rail-transition (End of straight section left)	1082407000030			2				
C	Steel wall		1	1	1				
D	Steel bar	11823	2	2	2				
E	Bottom plate	11202350000	12	12	12				
E	Bottom plate (straight plate)	10402000000	12	14	14				
F	Upright	10202350002	12	12	12				
G	Top ledge	10102350000	14	14	14				
G	Top Ledge (straight section)	10102350042	10	12	12				
H	Top plate	11102350000	24	26	26				
I1	Ledge cover (front part)	10302350000	24	26	26				
I2	Ledge cover (back part)	10302350010	24	26	26				
J	Ledge cover plate	10302350030	24	26	26				
K	Pan Phil SS #12,1 TYPE A	2PPS121	130	140	150				
L	Under channel	15933	12	14	14				
M	Steel strap end channel	16539	12	14	14				
N	Oval channel end cap	22726	12	14	14				
O	Steel pressure plate	16549	12	14	14				
P	Strap 18'	16726	18	21					
P	Strap 21'	22126			28				
Q	Right gusset	33091	12	14	14				
Q	Left gusset	33090	12	14	14				
R	Straight side steel upright 52"	10003	12	12	14				
S	Foam Block	29917	12	12	14				
T	Washer 3 holes	16663	24	28	28				
U	Bolt 5" x 5/16 - 18	99-0073	120	140	140				
V	Nut 5/16 - 18	99-0027	168	196	210				
W	Screw 1/2" x 5/16 - 18	99-0026	48	56	70				
X	Screw 1/2" #10	99-0068	82	94	94				

**Section
1**

**GENERAL INSTRUCTIONS - OVAL POOLS
GROUND PREPARATION**

PARTS LISTING

Product Description:		Liberty Oval				Revised Sept 2019			
Product Code:		PLIB-YM52RSRRRRQ11							
			Quantity required for installation (by pool size)						
Index#	Description	Part #	1840	1844	2143				
Y	Screw #10x1" 1-8SS PHLHX A	99-0070	12	14	14				
Z	Stainless steel screw 12 x 3/4"	V12x34	136	150	158				
*	Hardware bag	1051840350	1						
*	Hardware bag	1051844350		1					
*	Hardware bag	1052143350			1				
**	Hardware bag for wall	1050000054	1	1	1				
***	Hardware bag	16720	3	3	3				
***	Hardware bag	16722		1	1				
****	Hardware bag	10522125	1						
****	Hardware bag	10522126		1					
****	Hardware bag	10522127			1				
	Truss phill 18-8 bolts 18-8 1/4-0x3/4	99-0023	31	31	31				
	Flange nuts S/S 1/4-20 Serrated	2FGS422	31	31	31				
	Installation DVD	SACWBI36875	1	1	1				

* In the hardware bag you will find parts: #2PPS121

** In the hardware bag for wall you will find parts: #99-0023 - #2FGS422

*** In the hardware bag you will find parts: #99-0073 - #99-0027 - 16663

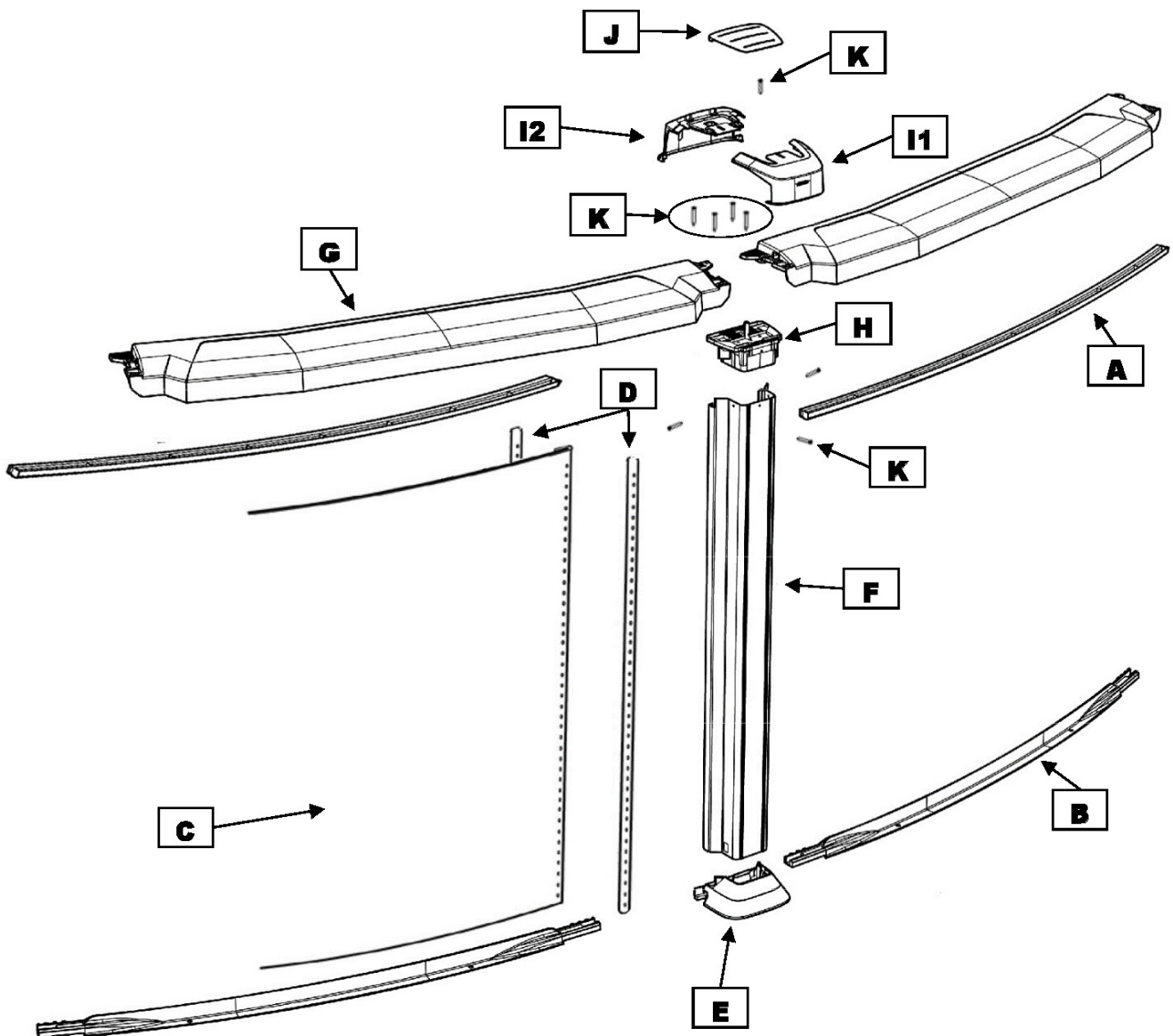
**** In the hardware bag you will find parts: #99-0073 - #99-0070 - #99-0068 - #99-0027 - #99-0026 - #V12x34

Section
1

GENERAL INSTRUCTIONS - OVAL POOLS
GROUND PREPARATION

PARTS LISTING

Liberty RTR
PLIB-54RSRRRRQ11
Round



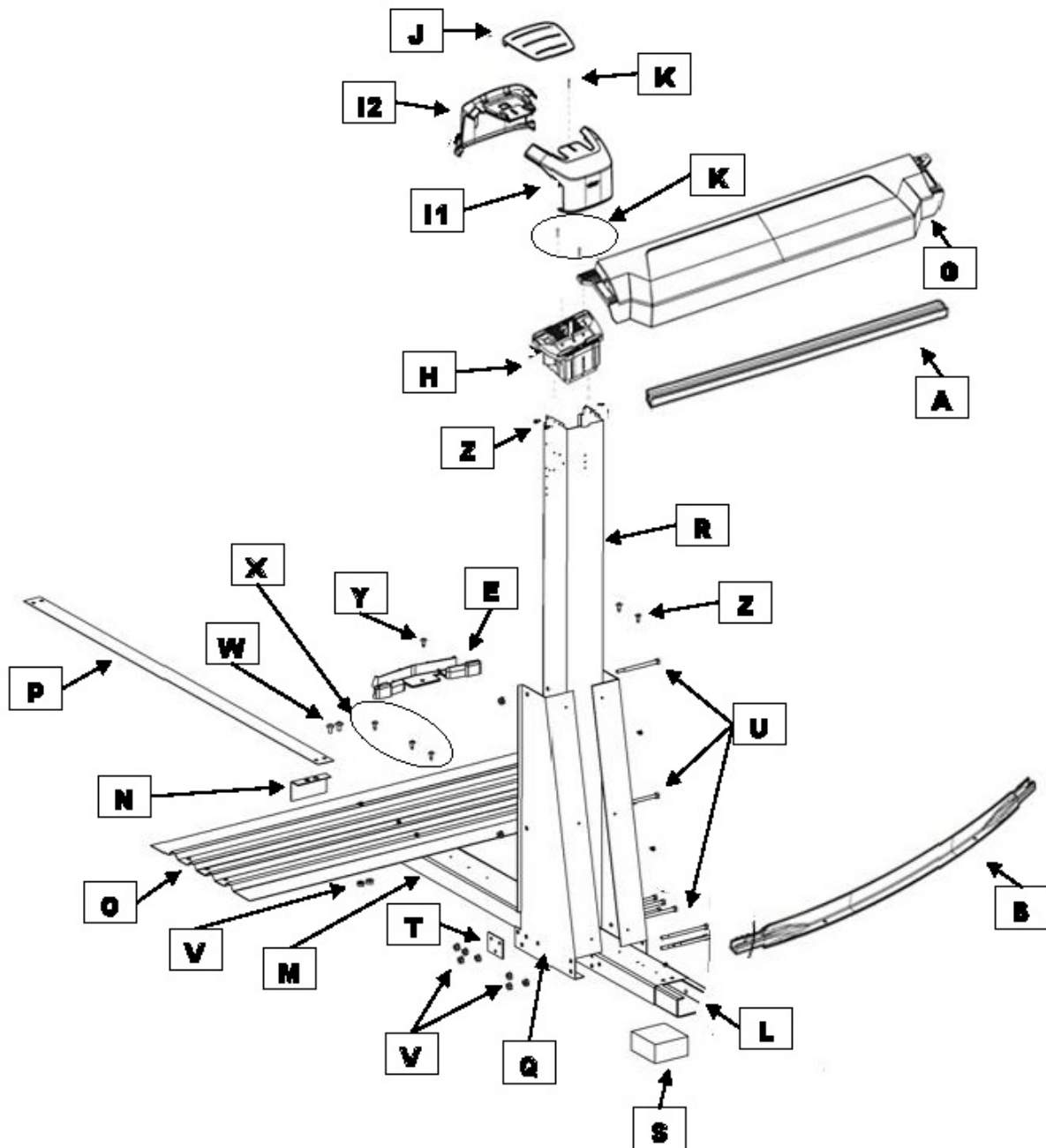
! **IMPORTANT NOTE:**
Make sure you have all the parts necessary before you start installation.

Section
1

GENERAL INSTRUCTIONS - OVAL POOLS
GROUND PREPARATION

PARTS LISTING

Liberty RTR
PLIB-YM54RSRRRRQ11
Yardmore
Straight Section



Section 1

GENERAL INSTRUCTIONS - OVAL POOLS GROUND PREPARATION

PARTS LISTING

Product Description:		Liberty Oval		Revised Sept 2019				
Product Code:		PLIB-YM54RSRRRRQ11						
			Quantity required for installation (by pool size)					
Index#	Description	Part #	1216	1218	1220	1224	1526	
A	Stabilizer (Round section)	1071507160000	4	6	6	6	8	
A	Stabilizer (Straight section)	10707000042	2	6	2	4	4	
A	Stabilizer-transition (End of straight section)	1071507160010	4		4	4	4	
B	Bottom rail (Section round)	1081507000000	4	6	6	6	8	
B	Bottom rail (Straight section)	10807000042	2	6	2	4	4	
B	Bottom rail-transition (End of straight section right)	1081507000020	2		2	2	2	
B	Bottom rail-transition (End of straight section left)	1081507000030	2		2	2	2	
C	Steel wall		1	1	1	1	1	
D	Steel bar	11825	2	2	2	2	2	
E	Bottom plate	11202350000	6	8	8	8	10	
E	Bottom plate(straight section)	10402000000	4	4	4	6	6	
F	Upright	10202350004	6	8	8	8	10	
G	Top ledge	10102350000	8	6	10	10	12	
G	Top ledge (straight section)	10102350042	2	6	2	4	4	
H	Top plate	11102350000	10	12	12	14	16	
I1	Ledge cover (front part)	10302350000	10	12	12	14	16	
I2	Ledge cover (back part)	10302350010	10	12	12	14	16	
J	Ledge cover plate	10302350030	10	12	12	14	16	
K	Pan Phill SS #12,1 TYPE A	2PPS121	60	70	70	80	90	
L	Under channel	15933	4	4	4	6	6	
M	Steel strap end channel	16539	4	4	4	6	6	
N	Oval channel end cap	22726	4	4	4	6	6	
O	Steel pressure plate	16549	4	4	4	6	6	
P	Strap 12'	16724	4	4	4	6		
P	Strap 15'	16725					9	
Q	Right gusset	33091	4	4	4	6	6	
Q	Left gusset	33090	4	4	4	6	6	
R	Straight side steel upright	10004	4	4	4	6	6	
S	Foam block	29917	4	4	4	6	6	
T	Washer 3 holes	16663	8	8	8	12	12	
U	Bolt 5" x 5/16 - 18	99-0073	40	40	40	60	60	
V	Nut 5/16 - 18	99-0027	52	52	52	84	84	
W	Screw 1/2" x 5/16 - 18	99-0026	12	12	12	24	24	
X	Screw 1/2" #10	99-0068	34	34	34	46	46	
Y	Screw #10x1" 18-8SS	99-0070	5	5	5	10	10	
Z	Stainless steel screw 12 x 3/4"	V12x34	60	60	60	80	80	
*	Hardware bag	1051216350	1					
*	Hardware bag	1051220350		1	1			
*	Hardware bag	1051224350				1		
*	Hardware bag	1051526350					1	
**	Hardware bag for wall	1050000054	1	1	1	1	1	
***	Hardware bag	16720	1	1	1	1	1	
***	Hardware bag	16722				1	1	
****	Hardware bag	10522122	1	1	1			
****	Hardware bag	10522124				1	1	

**Section
1**

**GENERAL INSTRUCTIONS - OVAL POOLS
GROUND PREPARATION**

PARTS LISTING

Product Description:		Liberty Oval		Revised Sept 2019			
Product Code:		PLIB-YM54RSRRRRQ11					
		Quantity required for installation (by pool size)					
Index#	Description	Part #	1216	1218	1220	1224	1526
	Truss phil 18-8 bolts 18-8 1/4-0x3/4	99-0023	31	31	31	31	31
	Flange nuts S/S 1/4-20 Serrated	2FGS422	31	31	31	31	31
	Installation DVD	SACWBI36875	1	1	1	1	1

* In the hardware bag you will find parts: #V12x34 - #2PPS121

** In the hardware bag for wall you will find parts: #99-0023 - #2FGS422

*** In the hardware bag you will find parts: #99-0073 - #99-0027 - #16663

**** In the hardware bag you will find parts: #99-0073 - #99-0070 - #99-0068 - #99-0027 - #99-0026 - #V12x34

Section 1

GENERAL INSTRUCTIONS - OVAL POOLS GROUND PREPARATION

PARTS LISTING

Product Description:		Liberty Oval		Revised Sept 2019				
Product Code:		PLIB-YM54RSRRRRQ11						
Index#	Description	Part #	Quantity required for installation (by pool size)					
			1530	1833	1840	1844	2143	
A	Stabilizer (Round section)	1071507160000	8	10	10	10		
A	Stabilizer (Round section)	1072407160000					10	
A	Stabilizer (Straight section)	10707000042	6	6	10	12	12	
A	Stabilizer-transition (End of straight section)	1071507160010	4	4	4	4		
A	Stabilizer-transition (End of straight section)	1072407160010					4	
B	Bottom rail (Section round)	1081507000000	8	10	10	10		
B	Bottom rail (Section round)	1082407000000					10	
B	Bottom rail (Straight section)	10807000042	6	6	10	12	12	
B	Bottom rail-transition (End of straight section right)	1081507000020	2	2	2	2		
B	Bottom rail-transition (End of straight section left)	1081507000030	2	2	2	2		
B	Bottom rail-transition (End of straight section right)	1082407000020					2	
B	Bottom rail-transition (End of straight section left)	1082407000030					2	
C	Steel wall		1	1	1	1	1	
D	Steel bar	11825	2	2	2	2	2	
E	Bottom plate	11202350000	10	12	12	12	12	
E	Bottom plate(straight section)	10402000000	8	8	12	14	14	
F	Upright	10202350004	10	12	12	14	12	
G	Top ledge	10102350000	12	14	14	14	14	
G	Top ledge (straight section)	10102350042	6	6	10	12	12	
H	Top plate	11102350000	18	20	24	26	26	
I1	Ledge cover (front part)	10302350000	18	20	24	26	26	
I2	Ledge cover (back part)	10302350010	18	20	24	26	26	
J	Ledge cover plate	10302350030	18	20	24	26	26	
K	Pan Phill SS #12,1 TYPE A	2PPS121	100	110	130	140	150	
L	Under channel	15933	8	8	12	14	14	
M	Steel strap end channel	16539	8	8	12	14	14	
N	Oval channel end cap	22726	8	8	12	14	14	
O	Steel pressure plate	16549	8	8	12	14	14	
P	Strap 15'	16725	12					
P	Strap 18'	16726		12	18	21		
P	Strap 21'	22126					28	
Q	Right gusset	33091	8	8	12	14	14	
Q	Left gusset	33090	8	8	12	14	14	
R	Straight side steel upright	10004	8	8	12	12	14	
S	Foam block	29917	8	8	12	14	14	
T	Washer 3 holes	16663	16	16	24	28	28	
U	Bolt 5" x 5/16 - 18	99-0073	80	80	120	140	140	
V	Nut 5/16 - 18	99-0027	112	112	168	196	210	
W	Screw 1/2" x 5/16 - 18	99-0026	32	32	48	56	70	
X	Screw 1/2" #10	99-0068	58	58	82	94	94	
Y	Screw #10x1" 18-8SS	99-0070	10	10	12	14	14	

**Section
1**

**GENERAL INSTRUCTIONS - OVAL POOLS
GROUND PREPARATION**

PARTS LISTING

Z	Stainless steel screw 12 x 3/4"	V12x34	105	105	136	150	158	
*	Hardware bag	1051530350	1					
*	Hardware bag	1051833350		1				
*	Hardware bag	1051840350			1			
Product Description:		Liberty Oval					Revised Sept 2019	
Product Code:		PLIB-YM54RSRRRRQ11						
			Quantity required for installation (by pool size)					
Index#	Description	Part #	1530	1833	1840	1844	2143	
*	Hardware bag	1051844350				1		
*	Hardware bag	1052143350					1	
**	Hardware bag for wall	1050000054	1	1	1	1	1	
***	Hardware bag	16720	2	2	3	3	3	
***	Hardware bag	16722				1	1	
****	Hardware bag	10522123	1	1				
****	Hardware bag	10522125			1			
****	Hardware bag	10522126				1		
****	Hardware bag	10522127					1	
	Truss phil 18-8 bolts 18-8 1/4-0x3/4	99-0023	31	31	31	31	31	
	Flange nuts S/S 1/4-20 Serrated	2FGS422	31	31	31	31	31	
	Installation DVD	SACWBI36875	1	1	1	1	1	

* In the hardware bag you will find parts: #V12x34 - #2PPS121

** In the hardware bag for wall you will find parts: #99-0023 - #2FGS422

*** In the hardware bag you will find parts: #99-0073 - #99-0027 - #16663

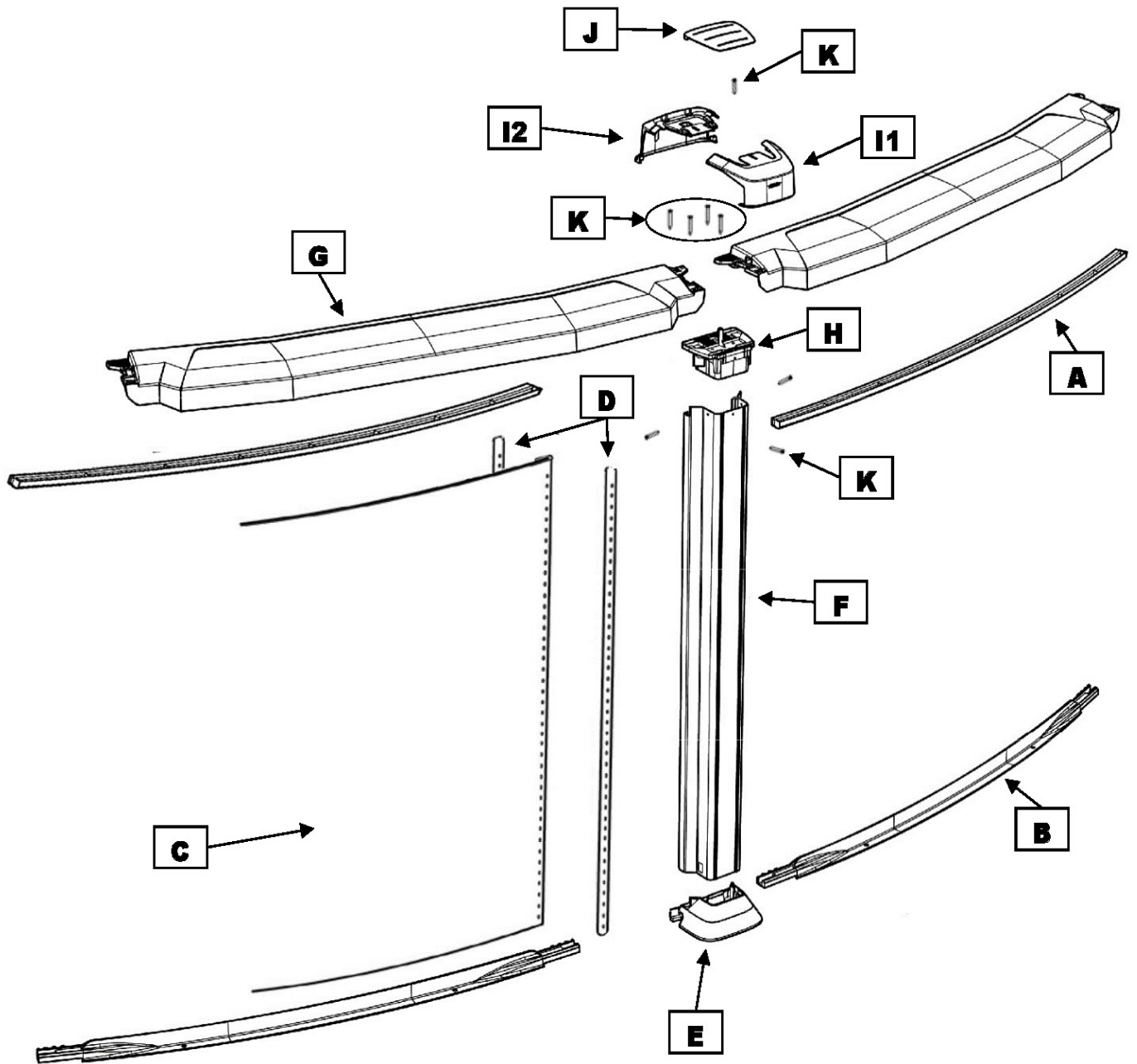
**** In the hardware bag you will find parts: #99-0073 - #99-0070 - #99-0068 - #99-0027 - #99-0026 - #V12x34

Section
1

GENERAL INSTRUCTIONS - OVAL POOLS
GROUND PREPARATION

PARTS LISTING

Elixir RTR
PELX-52RSRRRRQ21
Round



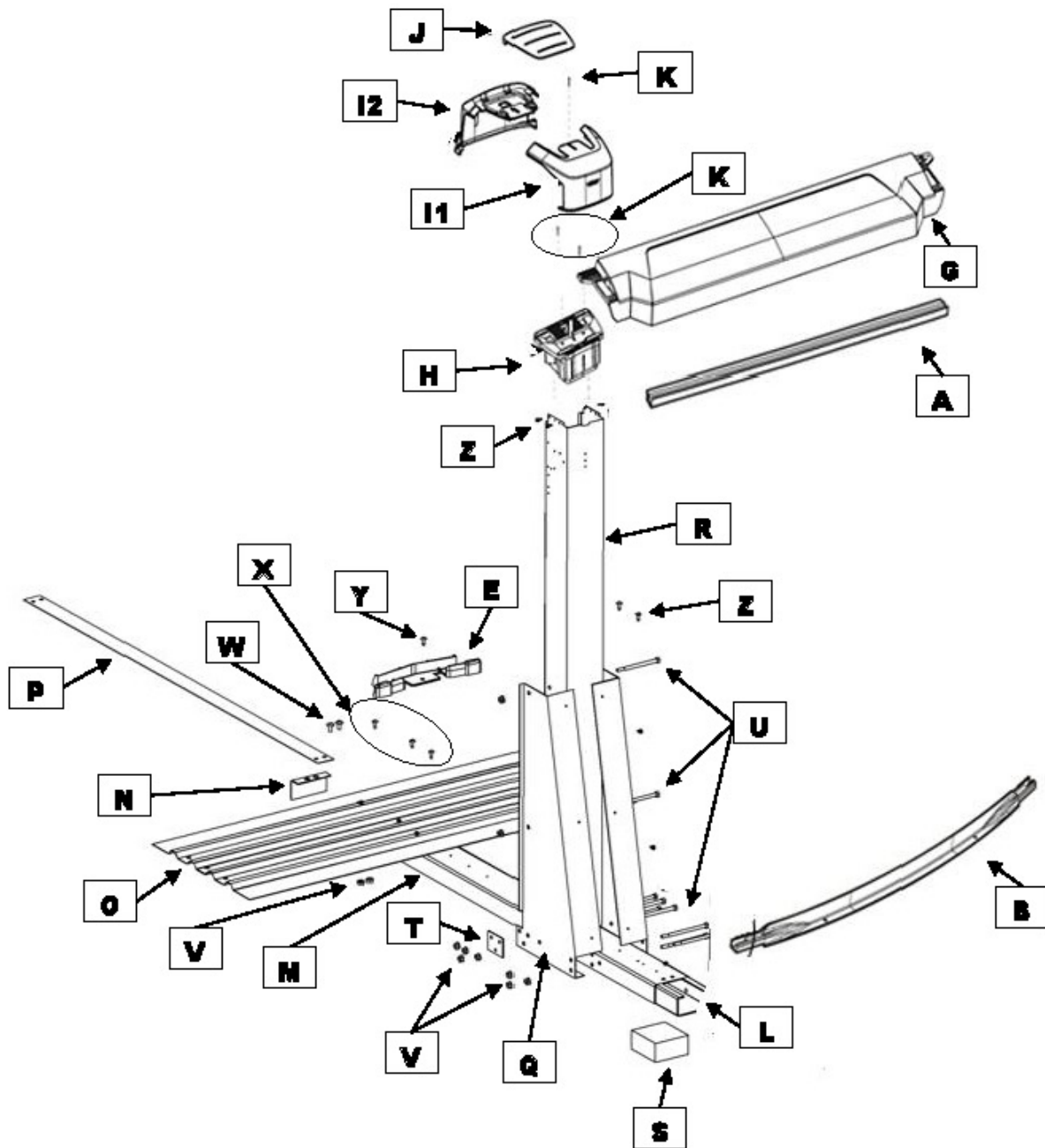
⚠ IMPORTANT NOTE:
Make sure you have all the parts necessary before you start installation.

Section
1

GENERAL INSTRUCTIONS - OVAL POOLS
GROUND PREPARATION

PARTS LISTING

Elixir RTR
PELX-YM52RSRRRRQ21
Yardmore
Straight Section



Section 1

GENERAL INSTRUCTIONS - OVAL POOLS GROUND PREPARATION

PARTS LISTING

Product Description:		Elixir Oval		Revised Sept 2019						
Product Code:		PELX-YM52RSRRRRQ21								
Index#	Description	Part #	Quantity required for installation (by pool size)							
			1216	1220	1224	1526	1530	1833	1840	2143
A	Stabilizer (Round section)	1071507160000	4	6	6	8	8	10	10	
A	Stabilizer (Round section)	1072407160000								10
A	Stabilizer (Straight section)	10741000042	2	2	4	4	6	6	10	12
A	Stabilizer-transition (End of straight side section)	1071507160010	4	4	4	4	4	4	4	
A	Stabilizer-transition (End of straight side section)	1072407160010								4
B	Bottom rail (Section round)	1081541000000	4	6	6	8	8	10	10	
B	Bottom rail (Section round)	1082441000000								10
B	Bottom rail (Straight section)	10841000042	2	2	4	4	6	6	10	12
B	Bottom rail-transition (End of straight section right)	1081541000020	2	2	2	2	2	2	2	
B	Bottom rail-transition (End of straight section right)	1082441000020								2
B	Bottom rail-transition (End of straight section left)	1081541000030	2	2	2	2	2	2	2	
B	Bottom rail-transition (End of straight section left)	1082441000030								2
C	Steel wall		1	1	1	1	1	1	1	1
D	Steel bar	11823	2	2	2	2	2	2	2	2
E	Bottom plate	11241350000	6	8	8	10	10	12	12	12
E	Bottom plate (straight section)	10441000000	4	4	6	6	8	8	12	14
F	Upright	10243350002	6	8	8	10	10	12	12	12
G	Top ledge	10141350000	8	10	10	12	12	14	14	14
G	Top Ledge (straight section)	10141350042	2	2	4	4	6	6	10	12
H	Top plate	11141350000	10	12	14	16	18	20	24	26
I1	Ledge cover (front part)	10341350000	10	12	14	16	18	20	24	26
I2	Ledge cover (back part)	10341350010	10	12	14	16	18	20	24	26
J	Ledge cover plate	10341350030	10	12	14	16	18	20	24	26
K	Pan Phil SS #12,1' TYPE A	2PPS121	60	70	80	90	100	110	130	150
L	Under channel	15933	4	4	6	6	8	8	12	14
M	Steel strap end channel	16539	4	4	6	6	8	8	12	14
N	Oval channel end cap	22726	4	4	6	6	8	8	12	14
O	Steel pressure plate	16549	4	4	6	6	8	8	12	14
P	Strap 12'	16724	4	4	6					
P	Strap 15'	16725				9	12			
P	Strap 18'	16726						12	18	
P	Strap 21'	22126								28
Q	Right gusset	38563	4	4	6	6	8	8	12	14
Q	Left gusset	38562	4	4	6	6	8	8	12	14
R	Straight side steel upright''	10001	4	4	6	6	8	8	12	14
S	Foam block	29917	4	4	6	6	8	8	12	14
T	Washer 3 holes	16663	8	8	12	12	16	16	24	28
U	Bolt 5" x 5/16 - 18	99-0073	40	40	60	60	80	80	120	140
V	Nut 5/16 - 18	99-0027	52	52	84	84	112	112	168	210

**Section
1**

**GENERAL INSTRUCTIONS - OVAL POOLS
GROUND PREPARATION**

PARTS LISTING

Product Description:		Elixir Oval	Revised Sept 2019							
Product Code:		PELX-YM52RSRRRRQ21								
Index#	Description	Part #	Quantity required for installation (by pool size)							
			1216	1220	1224	1526	1530	1833	1840	2143
W	Screw ½" x 5/16 – 18	99-0026	12	12	24	24	32	32	48	70
X	Screw ½" #10	99-0068	34	34	46	46	58	58	82	94
Y	Screw 1 #10	99-0070	5	5	10	10	10	10	12	14
Z	Screws 12 3/4	V12x34	60	60	80	80	105	105	136	158
*	Hardware bag	1051216350	1							
*	Hardware bag	1051220350		1						
*	Hardware bag	1051224350			1					
*	Hardware bag	1051526350				1				
*	Hardware bag	1051530350					1			
*	Hardware bag	1051833350						1		
*	Hardware bag	1051840350							1	
*	Hardware bag	1052143350								1
**	Hardware bag for wall	1050000054	1	1	1	1	1	1	1	1
***	Hardware bag	16720	1	1	1	1	2	2	3	3
***	Hardware bag	16722			1	1				1
****	Hardware bag	10522122	1	1						
****	Hardware bag	10522124			1	1				
****	Hardware bag	10522123					1	1		
****	Hardware bag	10522125							1	
****	Hardware bag	10522127								1
	Truss phill 18-8 bolts 18-8 1/4-0x3/4	99-0023	31	31	31	31	31	31	31	31
	Flange nuts S/S 1/4-20	2FGS422	31	31	31	31	31	31	31	31
	Installation DVD	SACWBI36875	1	1	1	1	1	1	1	1

* In the hardware bag you will find parts: #2PPS121

** In the hardware bag for wall you will find parts: #99-0023 - #2FGS422

*** In the hardware bag you will find parts: #99-0073 - #99-0027 - #16663

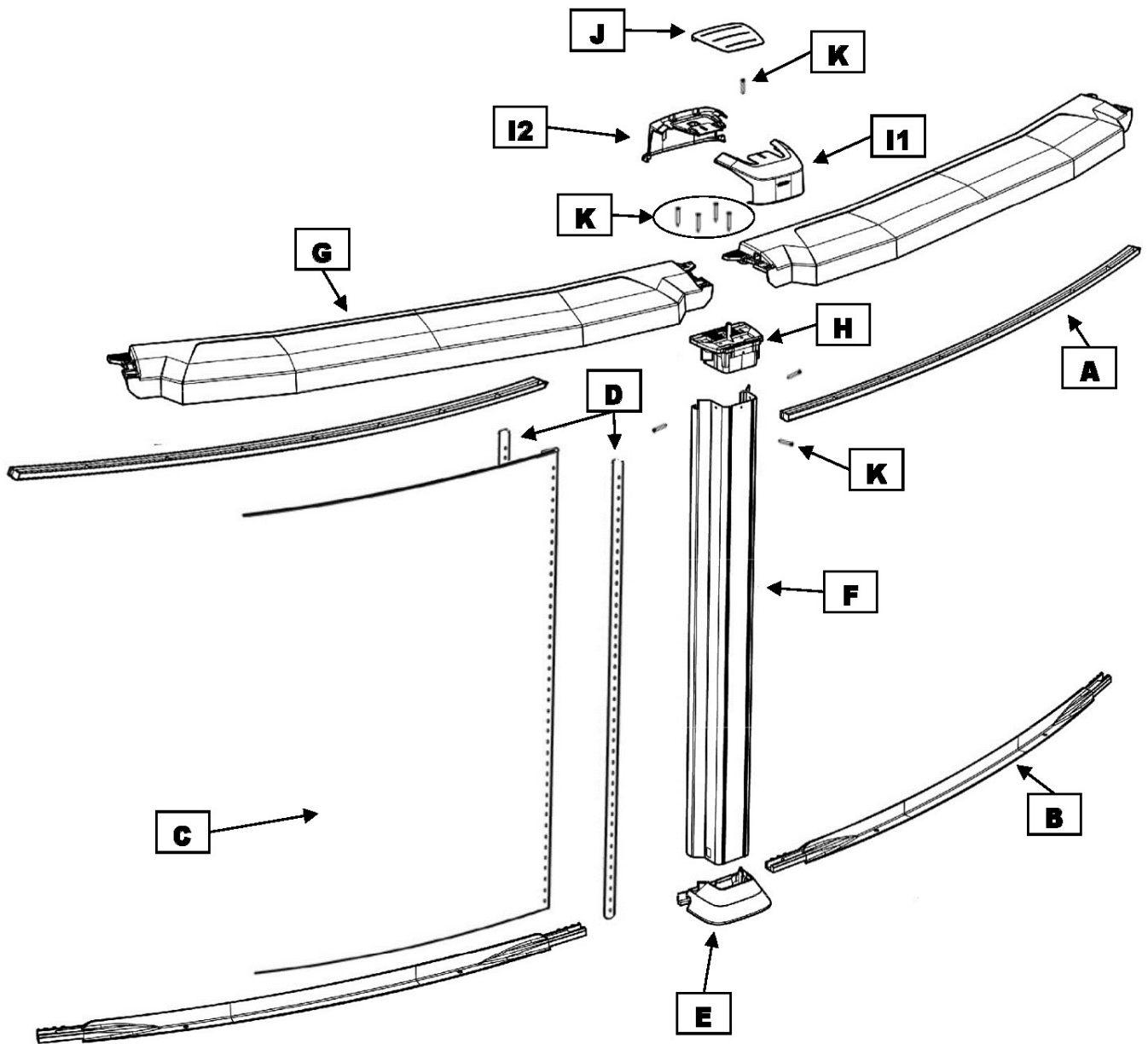
**** In the hardware bag you will find parts: #99-0073 - #99-0070 - #99-0068 - #99-0027 - #99-0026 - #V12x34

Section
1

GENERAL INSTRUCTIONS - OVAL POOLS
GROUND PREPARATION

PARTS LISTING

Elixir RTR
PELX-54RSRRRRQ21
Round



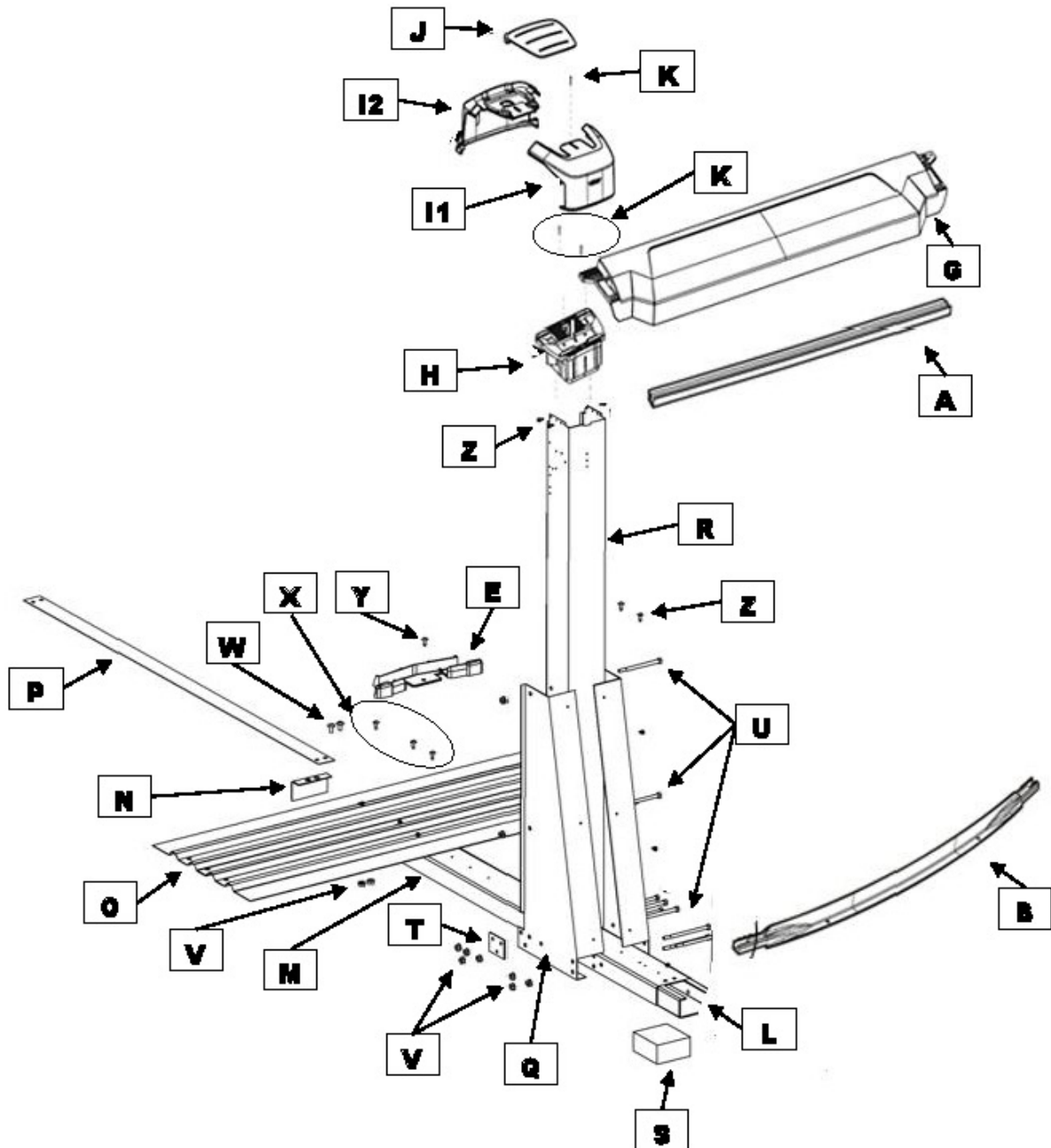
! **IMPORTANT NOTE:**
Make sure you have all the parts necessary before you start installation.

Section
1

GENERAL INSTRUCTIONS - OVAL POOLS
GROUND PREPARATION

PARTS LISTING

Elixir RTR
PELX-YM54RSRRRRQ21
Yardmore
Straight Section



**Section
1**

**GENERAL INSTRUCTIONS - OVAL POOLS
GROUND PREPARATION**

PARTS LISTING

Product Description:			Elixir Oval					Revised Sept 2019
Product Code:			PELX-YM54RSRRRRQ21					
Index#	Description	Part #	Quantity required for installation (by pool size)					
			1216	1218	1220	1224	1526	
A	Stabilizer (Round section)	1071507160000	4	6	6	6	8	
A	Stabilizer(Straight section)	10741000042	2	6	2	4	4	
A	Stabilizer-transition (End of straight section)	1071507160010	4		4	4	4	
B	Bottom rail (Section round)	1081541000000	4	6	6	6	8	
B	Bottom rail (Straight section)	10841000042	2	6	2	4	4	
B	Bottom rail-transition (End of straight section right)	1081541000020	2		2	2	2	
B	Bottom rail-transition (End of straight section left)	1081541000030	2		2	2	2	
C	Steel wall		1	1	1	1	1	
D	Steel bar	11825	2	2	2	2	2	
E	Bottom plate	11241350000	6	8	8	8	10	
E	Bottom plate(straight section)	10441000000	4	4	4	6	6	
F	Upright	10243350004	6	8	8	8	10	
G	Top ledge	10141350000	8	6	10	10	12	
G	Top ledge (straight section)	10141350042	2	6	2	4	4	
H	Top plate	11141350000	10	12	12	14	16	
I1	Ledge cover (front part)	10341350000	10	12	12	14	16	
I2	Ledge cover (back part)	10341350010	10	12	12	14	16	
J	Ledge cover plate	10341350030	10	12	12	14	16	
K	Pan phill SS # 12,1' TYPE A	2PPS121	60	70	70	80	90	
L	Under channel	15933	4	4	4	6	6	
M	Steel strap end channel	16539	4	4	4	6	6	
N	Oval channel end cap	22726	4	4	4	6	6	
O	Steel pressure plate	16549	4	4	4	6	6	
P	Strap 12'	16724	4	4	4	6		
P	Strap 15'	16725					9	
Q	Right gusset	38563	4	4	4	6	6	
Q	Left gusset	38562	4	4	4	6	6	
R	Straight side steel upright	10002	4	4	4	6	6	
S	Foam block	29917	4	4	4	6	6	
T	Washer 3 holes	16663	8	8	8	12	12	
U	Bolt 5" x 5/16 - 18	99-0073	40	40	40	60	60	
V	Nut 5/16 - 18	99-0027	52	52	52	84	84	
W	Screw 1/2" x 5/16 - 18	99-0026	12	12	12	24	24	
X	Screw 1/2" #10	99-0068	34	34	34	46	46	
Y	Screw #10x1" 18-8 SS	99-0070	5	5	5	10	10	
Z	Screw 12 x 3/4"	V12x34	60	60	60	80	80	
*	Hardware bag	1051216350	1					
*	Hardware bag	1051220350		1	1			
*	Hardware bag	1051224350				1		
*	Hardware bag	1051526350					1	
**	Hardware bag for wall	1050000054	1	1	1	1	1	
***	Hardware bag	16720	1	1	1	1	1	

**Section
1**

**GENERAL INSTRUCTIONS - OVAL POOLS
GROUND PREPARATION**

PARTS LISTING

Product Description:		Elixir Oval		Revised Sept 2019			
Product Code:		PELX-YM54RSRRRRQ21					
		Quantity required for installation (by pool size)					
Index#	Description	Part #	1216	1218	1220	1224	1526
***	Hardware bag	16722				1	1
****	Hardware bag	10522122	1	1	1		
****	Hardware bag	10522124				1	1
	Truss phill 18-8 bolts 18-8 1/4-0x3/4	99-0023	31	31	31	31	31
	Flange nuts S/S 1/4-20	2FGS422	31	31	31	31	31
	Installation DVD	SACWBI36875	1	1	1	1	1
<p>* In the hardware bag you will find parts: #2PPS121</p> <p>** In the hardware bag for wall you will find parts: #99-0023 - #2FGS422</p> <p>*** In the hardware bag you will find parts: #99-0073 - #99-0027 - #16663</p> <p>**** In the hardware bag you will find parts: #99-0073 - #99-0070 - #99-0068 - #99-0027 - #99-0026 - #V12x34</p>							

**Section
1**

**GENERAL INSTRUCTIONS - OVAL POOLS
GROUND PREPARATION**

PARTS LISTING

Product Description:		Elixir Oval		Revised Sept 2019			
Product Code:		PELX-YM54RSRRRRQ21					
		Quantity required for installation (by pool size)					
Index#	Description	Part #	1530	1833	1840	2143	
A	Stabilizer (Round section)	1071507160000	8	10	10		
A	Stabilizer (Round section)	1072407160000				10	
A	Stabilizer(Straight section)	10741000042	6	6	10	12	
A	Stabilizer-transition (End of straight section)	1071507160010	4	4	4		
A	Stabilizer-transition (End of straight section)	1072407160010				4	
B	Bottom rail (Section round)	1081541000000	8	10	10		
B	Bottom rail (Section round)	1082441000000				10	
B	Bottom rail (Straight section)	10841000042	6	6	10	12	
B	Bottom rail-transition (End of straight section right)	1081541000020	2	2	2		
B	Bottom rail-transition (End of straight section right)	1082441000020				2	
B	Bottom rail-transition (End of straight section left)	1081541000030	2	2	2		
B	Bottom rail-transition (End of straight section left)	1082441000030				2	
C	Steel wall		1	1	1	1	
D	Steel bar	11825	2	2	2	2	
E	Bottom plate	11241350000	10	12	12	12	
E	Bottom plate(straight section)	10441000000	8	8	12	14	
F	Upright	10243350004	10	12	12	12	
G	Top ledge	10141350000	12	14	14	14	
G	Top ledge (straight section)	10141350042	6	6	10	12	
H	Top plate	11141350000	18	20	24	26	
I1	Ledge cover (front part)	10341350000	18	20	24	26	
I2	Ledge cover (back part)	10341350010	18	20	24	26	
J	Ledge cover plate	10341350030	18	20	24	26	
K	Pan phill SS # 12,1' TYPE A	2PPS121	100	110	130	150	
L	Under channel	15933	8	8	12	14	
M	Steel strap end channel	16539	8	8	12	14	
N	Oval channel end cap	22726	8	8	12	14	
O	Steel pressure plate	16549	8	8	12	14	
P	Strap 15'	16725	12				
P	Strap 18'	16726		12	18		
P	Strap 21'	22126				28	
Q	Right gusset	38563	8	8	12	14	
Q	Left gusset	38562	8	8	12	14	
R	Straight side steel upright	10002	8	8	12	14	
S	Foam block	29917	8	8	12	14	

**Section
1**

**GENERAL INSTRUCTIONS - OVAL POOLS
GROUND PREPARATION**

PARTS LISTING

Product Description:		Elixir Oval	Revised Sept 2019				
Product Code:		PELX-YM54RSRRRRQ21					
			Quantity required for installation (by pool size)				
Index#	Description	Part #	1530	1833	1840	2143	
X	Screw ½" #10	99-0068	58	58	82	94	
Y	Screw #10x1" 18-8 SS	99-0070	10	10	12	14	
Z	Screw 12 x ¾"	V12x34	105	105	136	158	
*	Hardware bag	1051530350	1				
*	Hardware bag	1051833350		1			
*	Hardware bag	1051840350			1		
*	Hardware bag	1052143350				1	
**	Hardware bag for wall	1050000054	1	1	1	1	
***	Hardware bag	16720	2	2	3	3	
***	Hardware bag	16722				1	
****	Hardware bag	10522123	1	1			
****	Hardware bag	10522125			1		
****	Hardware bag	10522127				1	
	Truss phill 18-8 bolts 18-8 1/4-0x3/4	99-0023	31	31	31	31	
	Flange nuts S/S 1/4-20	2FGS422	31	31	31	31	
	Installation DVD	SACWBI36875	1	1	1	1	

* In the hardware bag you will find parts: #2PPS121

** In the hardware bag for wall you will find parts: #99-0023 - #2FGS422

*** In the hardware bag you will find parts: #99-0073 - #99-0027 - #16663

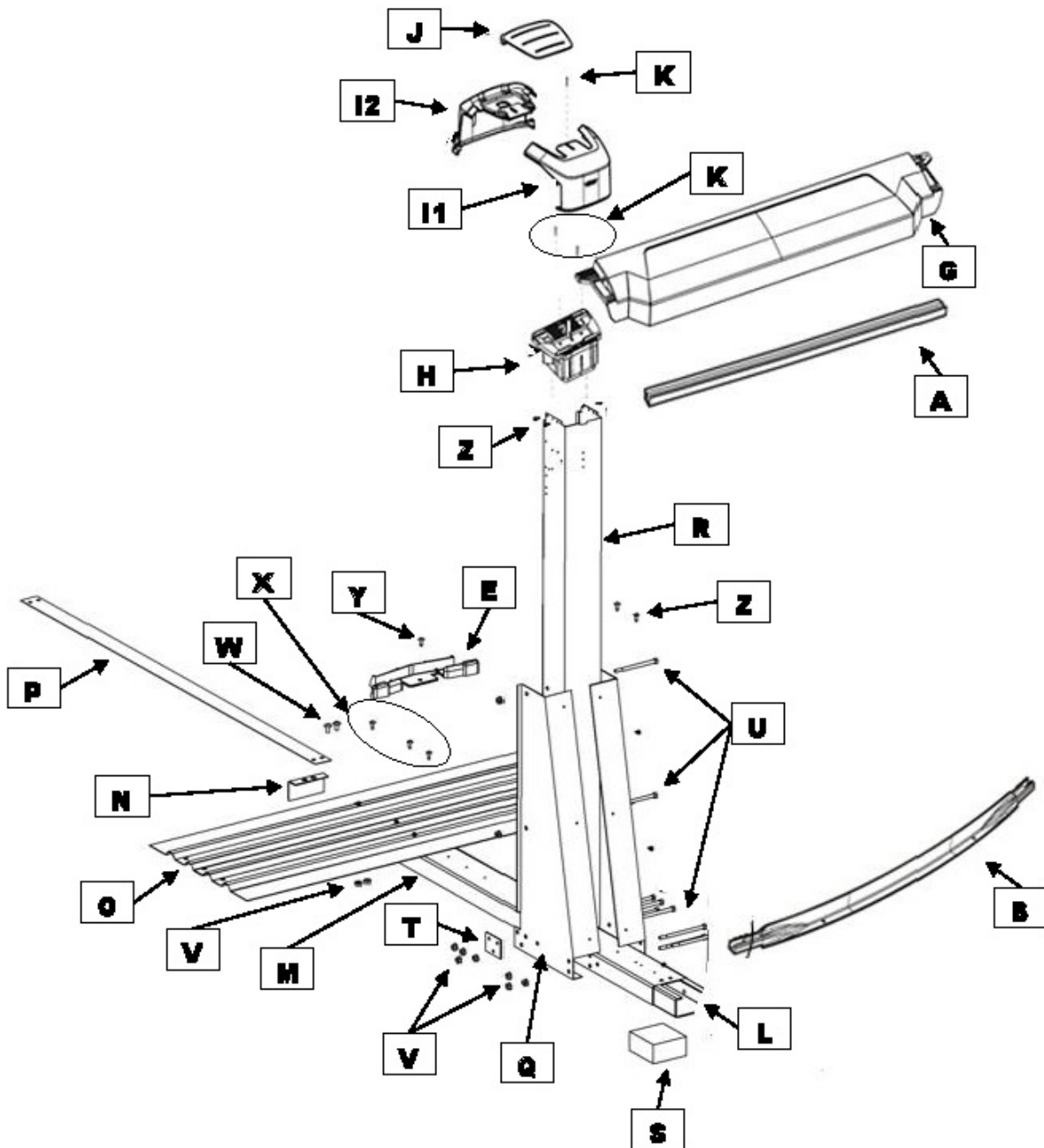
**** In the hardware bag you will find parts: #99-0073 - #99-0070 - #99-0068 - #99-0027 - #99-0026 - #V12x34

Section
1

GENERAL INSTRUCTIONS - OVAL POOLS
GROUND PREPARATION

PARTS LISTING

Java RTR
PJAV-YM52RSRRRRQ31
Yardmore
Straight Section



Section 1

GENERAL INSTRUCTIONS - OVAL POOLS GROUND PREPARATION

PARTS LISTING

Product Description:			Java Oval					Revised Sept 2019
Product Code:			PJAV-YM52RSRRRRQ31					
Index#	Description	Part #	Quantity required for installation (by pool size)					
			1216	1218	1220	1224	1526	
A	Stabilizer (Round section)	1071507160000	4	6	6	6	8	
A	Stabilizer (Round section)	1072407160000						
A	Stabilizer (Straight section)	10707000042	2	6	2	4	4	
A	Stabilizer-transition (End of straight section)	1071507160010	4		4	4	4	
B	Bottom rail (Section round)	1081547000000	4	6	6	6	8	
B	Bottom rail (Section round)	1082447000000						
B	Bottom rail (Straight section)	10847000042	2	6	2	4	4	
B	Bottom rail-transition (End of straight section)(right)	1081547000020	2		2	2	2	
B	Bottom rail-transition (End of straight section)(left)	1081547000030	2		2	2	2	
C	Steel wall		1	1	1	1	1	
D	Steel bar	11823	2	2	2	2	2	
E	Bottom plate	11247350000	6	8	8	8	10	
E	Bottom plate (straight section)	10433000000	4	4	4	6	6	
F	Upright	10247350002	6	8	8	8	10	
G	Top ledge	10147350000	8	6	10	10	12	
G	Top ledge (straight section)	10147350042	2	6	2	4	4	
H	Top plate	11147350000	10	12	12	14	16	
I1	Ledge cover (front part)	10347350000	10	12	12	14	16	
I2	Ledge cover (back part)	10347350010	10	12	12	14	16	
J	Ledge cover plate	10347350030	10	12	12	14	16	
K	Pan Phill SS #12,1 TYPE A	2PPS121	60	70	70	80	90	
L	Under channel	15933	4	4	4	6	6	
M	Steel strap end channel	16539	4	4	4	6	6	
N	Oval channel end cap	22726	4	4	4	6	6	
O	Steel pressure plate	16549	4	4	4	6	6	
P	Strap 12'	16724	4	4	4	6		
P	Strap 15'	16725					9	
Q	Right gusset	22248	4	4	4	6	6	
Q	Left gusset	22247	4	4	4	6	6	
R	Straight side steel upright	10010	4	4	4	6	6	
S	Foam block	29917	4	4	4	6	6	
T	Washer 3 holes	16663	8	8	8	12	12	
U	Bolt 5" x 5/16 - 18	99-0073	40	40	40	60	60	
V	Nut 5/16 - 18	99-0027	52	52	52	84	84	
W	Screw 1/2" x 5/16 - 18	99-0026	12	12	12	24	24	
X	Screw 1/2" #10	99-0068	34	34	34	46	46	
Y	Screw #10x1" 18-8SS	99-0070	5	5	5	10	10	
Z	Stainless steel screw 12 x 3/4"	V12x34	60	60	60	80	80	
*	Hardware bag	1051216350	1					
*	Hardware bag	1051220350		1	1			
*	Hardware bag	1051224350				1		
*	Hardware bag	1051526350					1	
**	Hardware for wall	1050000054	1	1	1	1	1	

**Section
1**

**GENERAL INSTRUCTIONS - OVAL POOLS
GROUND PREPARATION**

PARTS LISTING

Product Description:		Java Oval	Revised Sept 2019				
Product Code:		PJAV-YM52RSRRRRQ31					
			Quantity required for installation (by pool size)				
Index#	Description	Part #	1216	1218	1220	1224	1526
***	Hardware bag	16720	1	1	1	1	1
***	Hardware bag	16722				1	1
****	Hardware bag	10522122	1	1	1		
****	Hardware bag	10522124				1	1
	Truss phill 18-8 bolts 18-8 1/4-0x3/4	99-0023	31	31	31	31	31
	Flange nuts S/S 1/4-20 Serrated	2FGS422	31	31	31	31	31
	Installation DVD	SACWBI36875	1	1	1	1	1

* In the hardware bag you will find parts: #2PPS121

** In the hardware bag for wall you will find parts: #99-0023 - #2FGS422

*** In the hardware bag you will find parts: #99-0070 - #99-0027 - #16663

**** In the hardware bag you will find parts: #99-0073 - #99-0070 - #99-0068 - #99-0027 - #99-0026 - #V12x34

Section 1

GENERAL INSTRUCTIONS - OVAL POOLS GROUND PREPARATION

PARTS LISTING

Product Description:			Java Oval					Revised Sept 2019
Product Code:			PJAV-YM52RSRRRRQ31					
Index#	Description	Part #	Quantity required for installation (by pool size)					
			1530	1833	1840	1844	2143	
A	Stabilizer (Round section)	1071507160000	8	10	10	10		
A	Stabilizer (Round section)	1072407160000					10	
A	Stabilizer (Straight section)	10707000042	6	6	10	12	12	
A	Stabilizer-transition (End of straight section)	1071507160010	4	4	4	4		
A	Stabilizer-transition (End of straight section)	1072407160010					4	
B	Bottom rail (Section round)	1081547000000	8	10	10	10		
B	Bottom rail (Section round)	1082447000000					10	
B	Bottom rail (Straight section)	10847000042	6	6	10	12	12	
B	Bottom rail-transition (End of straight section)(right)	1081547000020	2	2	2	2		
B	Bottom rail-transition (End of straight section)(left)	1081547000030	2	2	2	2		
B	Bottom rail-transition (End of straight section)(right)	1082447000020					2	
B	Bottom rail-transition (End of straight section)(left)	1082447000030					2	
C	Steel wall		1	1	1	1	1	
D	Steel bar	11823	2	2	2	2	2	
E	Bottom plate	11247350000	10	12	12	12	12	
E	Bottom plate (straight section)	10433000000	8	8	12	14	14	
F	Upright	10247350002	10	12	12	14	12	
G	Top ledge	10147350000	12	14	14	14	14	
G	Top ledge (straight section)	10147350042	6	6	10	12	12	
H	Top plate	11147350000	18	20	24	26	26	
I1	Ledge cover (front part)	10347350000	18	20	24	26	26	
I2	Ledge cover (back part)	10347350010	18	20	24	26	26	
J	Ledge cover plate	10347350030	18	20	24	26	26	
K	Pan Phill SS #12,1 TYPE A	2PPS121	100	110	130	140	150	
L	Under channel	15933	8	8	12	14	14	
M	Steel strap end channel	16539	8	8	12	14	14	
N	Oval channel end cap	22726	8	8	12	14	14	
O	Steel pressure plate	16549	8	8	12	14	14	
P	Strap 15'	16725	12					
P	Strap 18'	16726		12	18	21		
P	Strap 21'	22126					28	
Q	Right gusset	22248	8	8	12	14	14	
Q	Left gusset	22247	8	8	12	14	14	
R	Straight side steel upright	10010	8	8	12	12	14	
S	Foam block	29917	8	8	12	12	14	
T	Washer 3 holes	16663	16	16	24	28	28	
U	Bolt 5" x 5/16 - 18	99-0073	80	80	120	140	140	
V	Nut 5/16 - 18	99-0027	112	112	168	196	210	
W	Screw 1/2" x 5/16 - 18	99-0026	32	32	48	56	70	
X	Screw 1/2" #10	99-0068	58	58	82	94	94	
Y	Screw #10x1" 18-8SS	99-0070	10	10	12	14	14	

**Section
1**

**GENERAL INSTRUCTIONS - OVAL POOLS
GROUND PREPARATION**

PARTS LISTING

Product Description:		Java Oval	Revised Sept 2019				
Product Code:		PJAV-YM52RSRRRRQ31					
			Quantity required for installation (by pool size)				
Index#	Description	Part #	1530	1833	1840	1844	2143
Z	Stainless steel screw 12 x 3/4"	V12x34	105	105	136	150	158
*	Hardware bag	1051530350	1				
*	Hardware bag	1051833350		1			
*	Hardware bag	1051840350			1		
*	Hardware bag	1051844350				1	
*	Hardware bag	1052143350					1
**	Hardware for wall	1050000054	1	1	1	1	1
***	Hardware bag	16720	2	2	3	3	3
***	Hardware bag	16722				1	1
****	Hardware bag	10522123	1	1			
****	Hardware bag	10522125			1		
****	Hardware bag	10522126				1	
****	Hardware bag	10522127					1
	Truss phill 18-8 bolts 18-8 1/4-0x3/4	99-0023	31	31	31	31	31
	Flange nuts S/S 1/4-20 Serrated	2FGS422	31	31	31	31	31
	Installation DVD	SACWBI36875	1	1	1	1	1

* In the hardware bag you will find parts: #2PPS121

** In the hardware bag for wall you will find parts: #99-0023 - #2FGS422

*** In the hardware bag you will find parts: #99-0070 - #99-0027 - #16663

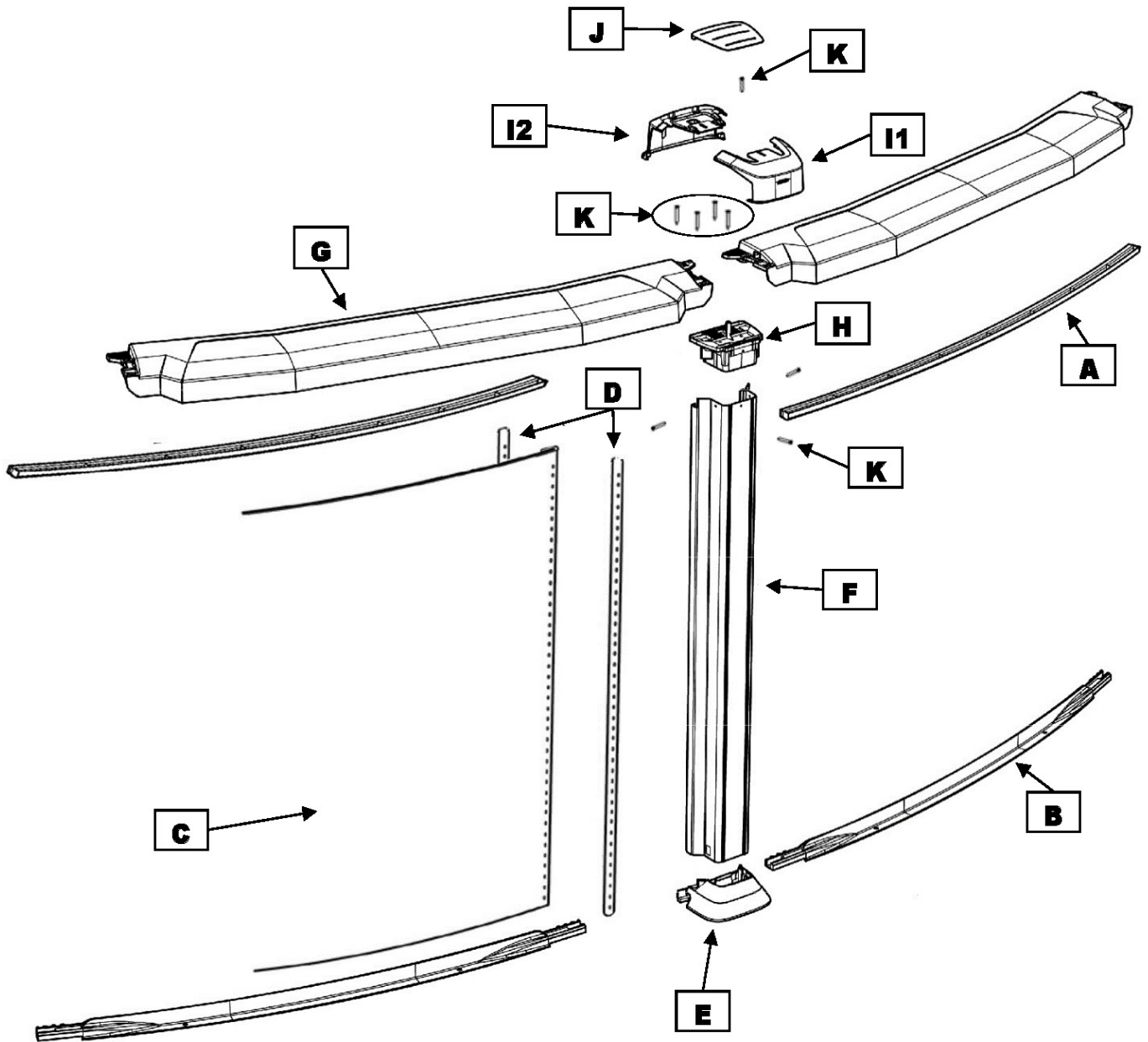
**** In the hardware bag you will find parts: #99-0073 - #99-0070 - #99-0068 - #99-0027 - #99-0026 - #V12x34

Section
1

GENERAL INSTRUCTIONS - OVAL POOLS
GROUND PREPARATION

PARTS LISTING

Java RTR
PJAV-54RSRRRRQ31
Round



! **IMPORTANT NOTE:**
Make sure you have all the parts necessary before you start installation.

Section 1

GENERAL INSTRUCTIONS - OVAL POOLS GROUND PREPARATION

PARTS LISTING

Product Description:			Java Oval					Revised Sept 2019
Product Code:			PJAV-YM54RSRRRRQ31					
Index #	Description	Part #	Quantity required for installation (by pool size)					
			1216	1218	1220	1224	1526	
A	Stabilizer (Round section)	1071507160000	4	6	6	6	8	
A	Stabilizer (Round section)	1072407160000						
A	Stabilizer (Straight section)	10707000042	2	6	2	4	4	
A	Stabilizer- transition (End of straight section)	1071507160010	4		4	4	4	
B	Bottom rail (Section round)	1081547000000	4	6	6	6	8	
B	Bottom rail (Straight section)	10847000042	2	6	2	4	4	
B	Bottom rail-transition (End of straight section)(right)	1081547000020	2		2	2	2	
B	Bottom rail-transition (End of straight section)(left)	1081547000030	2		2	2	2	
C	Steel wall		1	1	1	1	1	
D	Steel bar	11825	2	2	2	2	2	
E	Bottom plate	11247350000	6	8	8	8	10	
E	Straight side resin bottom plate	10433000000	4	4	4	6	6	
F	Upright	10247350004	6	8	8	8	10	
G	Top ledge	10147350000	8	6	10	10	12	
G	Top ledge(straight)	10147350042	2	6	2	4	4	
H	Top plate	11147350000	10	12	12	14	16	
I1	Ledge cover (front part)	10347350000	10	12	12	14	16	
I2	Ledge cover (back part)	10347350010	10	12	12	14	16	
J	Ledge cover plate	10347350030	10	12	12	14	16	
K	Pan Phill SS #12,1 TYPE A	2PPS121	60	70	70	80	90	
L	Under channel	15933	4	4	4	6	6	
M	Steel strap end channel	16539	4	4	4	6	6	
N	Oval channel end cap	22726	4	4	4	6	6	
O	Steel pressure plate	16549	4	4	4	6	6	
P	Strap 12'	16724	4	4	4	6		
P	Strap 15'	16725					9	
Q	Right gusset	22248	4	4	4	6	6	
Q	Left gusset	22247	4	4	4	6	6	
R	Straight side steel upright 54"	10009	4	4	4	6	6	
S	Foam block	29917	4	4	4	6	6	
T	Washer 3 holes	16663	8	8	8	12	12	
U	Bolt 5" x 5/16 - 18	99-0073	40	40	40	60	60	
V	Nut 5/16 - 18	99-0027	52	52	52	84	84	
W	Screw 1/2" x 5/16 - 18	99-0026	12	12	12	24	24	
X	Screw 1/2" #10	99-0068	34	34	34	46	46	
Y	Screw #10x1" 18-8SS	99-0070	5	5	5	10	10	
Z	Stainless steel screw 12 x 3/4"	V12x34	60	60	60	80	80	
*	Hardware bag	1051216350	1					
*	Hardware bag	1051220350		1	1			
*	Hardware bag	1051224350				1		
*	Hardware bag	1051526350					1	
**	Hardware for wall	1050000054	1	1	1	1	1	
***	Hardware bag	16720	1	1	1	1	1	

**Section
1**

**GENERAL INSTRUCTIONS - OVAL POOLS
GROUND PREPARATION**

PARTS LISTING

Product Description:		Java Oval	Revised Sept 2019				
Product Code:		PJAV-YM54RSRRRRQ31					
		Quantity required for installation (by pool size)					
Index #	Description	Part #	1216	1218	1220	1224	1526
***	Hardware bag	16722				1	1
****	Hardware bag	10522122	1	1	1		
****	Hardware bag	10522124				1	1
	Truss phill 18-8 bolts 18-8 1/4-0x3/4	99-0023	31	31	31	31	31
	Flange nuts S/S 1/4-20 Serrated	2FGS422	31	31	31	31	31
	Installation DVD	SACWBI36875	1	1	1	1	1

* In the hardware bag you will find parts: #2PPS121

** In the hardware bag for wall you will find parts: #99-0023 - #2FGS422

*** In the hardware bag you will find parts: #99-0070 - #99-0027 - #16663

**** In the hardware bag you will find parts: #99-0073 - #99-0070 - #99-0068 - #99-0027 - #99-0026 - #V12x34

**Section
1**

**GENERAL INSTRUCTIONS - OVAL POOLS
GROUND PREPARATION**

PARTS LISTING

Product Description:			Java Oval					Revised Sept 2019
Product Code:			PJAV-YM54RSRRRRQ31					
Index#	Description	Part #	Quantity required for installation (by pool size)					
			1530	1833	1840	1844	2143	
A	Stabilizer (Round section)	1071507160000	8	10	10	10		
A	Stabilizer (Round section)	1072407160000					10	
A	Stabilizer (Straight section)	10707000042	6	6	10	12	12	
A	Stabilizer- transition (End of straight section)	1071507160010	4	4	4	4		
A	Stabilizer- transition (End of straight section)	1072407160010					4	
B	Bottom rail (Section round)	1081547000000	8	10	10	10		
B	Bottom rail (Section round)	1082447000000					10	
B	Bottom rail (Straight section)	10847000042	6	6	10	12	12	
B	Bottom rail-transition (End of straight section)(right)	1081547000020	2	2	2	2		
B	Bottom rail-transition (End of straight section)(right)	1082447000020					2	
B	Bottom rail-transition (End of straight section)(left)	1081547000030	2	2	2	2		
B	Bottom rail-transition (End of straight section)(left)	1082447000030					2	
C	Steel wall		1	1	1	1	1	
D	Steel bar	11825	2	2	2	2	2	
E	Bottom plate	11247350000	10	12	12	12	12	
E	Straight side resin bottom plate	10433000000	8	8	12	14	14	
F	Upright	10247350004	10	12	12	14	12	
G	Top ledge	10147350000	12	14	14	14	14	
G	Top ledge(straight)	10147350042	6	6	10	12	12	
H	Top plate	11147350000	18	20	24	26	26	
I1	Ledge cover (front part)	10347350000	18	20	24	26	26	
I2	Ledge cover (back part)	10347350010	18	20	24	26	26	
J	Ledge cover plate	10347350030	18	20	24	26	26	
K	Pan Phill SS #12,1 TYPE A	2PPS121	100	110	130	140	150	
L	Under channel	15933	8	8	12	14	14	
M	Steel strap end channel	16539	8	8	12	14	14	
N	Oval channel end cap	22726	8	8	12	20	14	
O	Steel pressure plate	16549	8	8	12	14	14	
P	Strap 15'	16725	12					
P	Strap 18'	16726		12	18	21		
P	Strap 21'	22126					28	
Q	Right gusset	22248	8	8	12	14	14	
Q	Left gusset	22247	8	8	12	14	14	
R	Straight side steel upright 54"	10009	8	8	12	12	14	
S	Foam block	29917	8	8	12	12	14	
T	Washer 3 holes	16663	16	16	24	28	28	
U	Bolt 5" x 5/16 - 18	99-0073	80	80	120	140	140	
V	Nut 5/16 - 18	99-0027	112	112	168	196	210	
W	Screw 1/2" x 5/16 - 18	99-0026	32	32	48	56	70	
X	Screw 1/2" #10	99-0068	58	58	82	94	94	
Y	Screw #10x1" 18-8SS	99-0070	10	10	12	14	14	

**Section
1**

**GENERAL INSTRUCTIONS - OVAL POOLS
GROUND PREPARATION**

PARTS LISTING

Product Description:		Java Oval	Revised Sept 2019				
Product Code:		PJAV-YM54RSRRRRQ31					
		Quantity required for installation (by pool size)					
Index#	Description	Part #	1530	1833	1840	1844	2143
Z	Stainless steel screw 12 x 3/4"	V12x34	105	105	136	150	158
*	Hardware bag	1051530350	1				
*	Hardware bag	1051833350		1			
*	Hardware bag	1051840350			1		
*	Hardware bag	1051844350				1	
*	Hardware bag	1052143350					1
**	Hardware for wall	1050000054	1	1	1	1	1
***	Hardware bag	16720	2	2	3	3	3
***	Hardware bag	16722				1	1
****	Hardware bag	10522123	1	1			
****	Hardware bag	10522125			1		
****	Hardware bag	10522126				1	
****	Hardware bag	10522127					1
	Truss phill 18-8 bolts 18-8 1/4-0x3/4	99-0023	31	31	31	31	31
	Flange nuts S/S 1/4-20 Serrated	2FGS422	31	31	31	31	31
	Installation DVD	SACWBI36875	1	1	1	1	1

* In the hardware bag you will find parts: #2PPS121

** In the hardware bag for wall you will find parts: #99-0023 - #2FGS422

*** In the hardware bag you will find parts: #99-0070 - #99-0027 - #16663

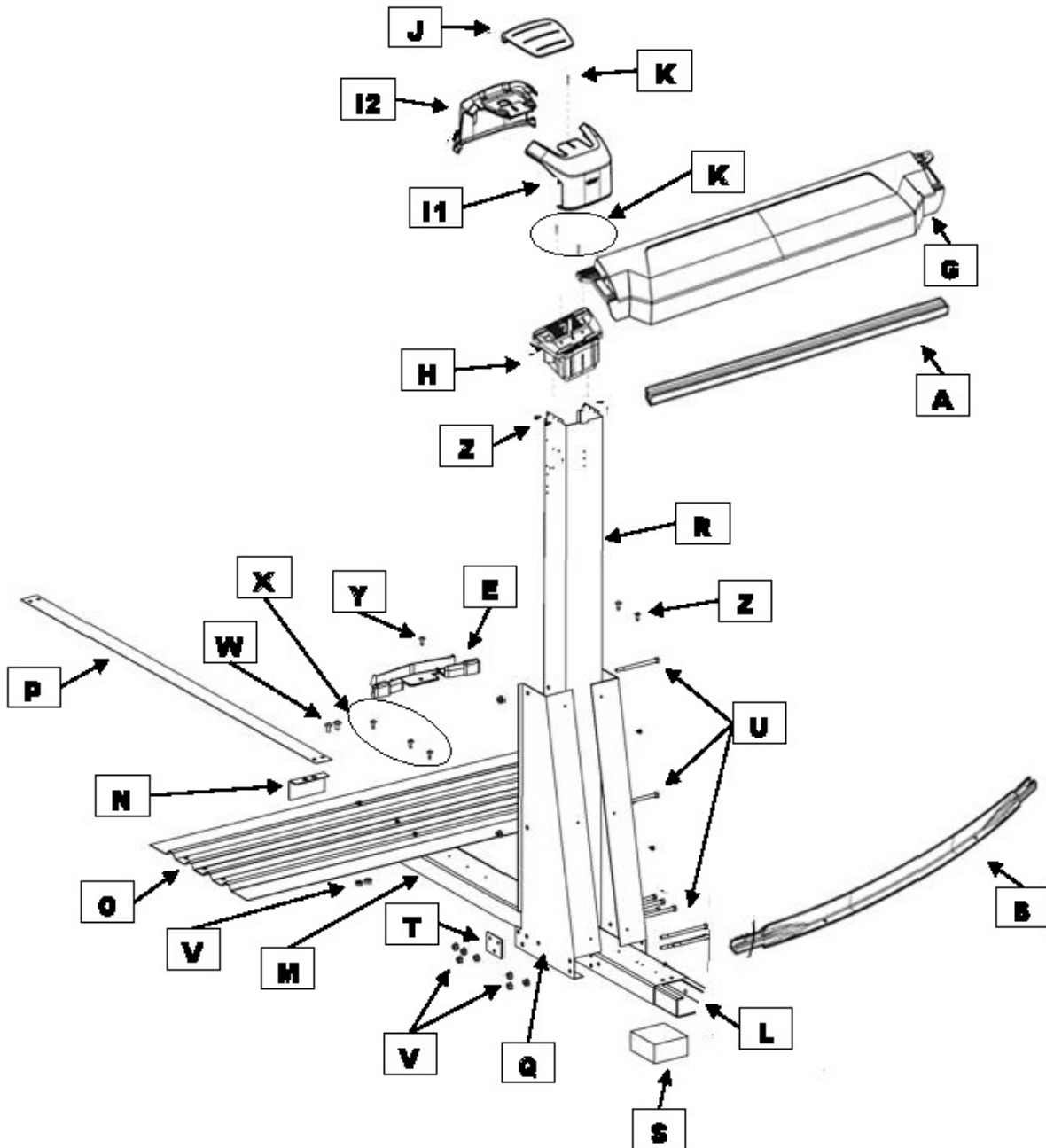
**** In the hardware bag you will find parts: #99-0073 - #99-0070 - #99-0068 - #99-0027 - #99-0026 - #V12x34

Section
1

GENERAL INSTRUCTIONS - OVAL POOLS
GROUND PREPARATION

PARTS LISTING

Javalx RTR
PJAVLX-YM52RSRRRRQ31
Yardmore
Straight Section



Section 1

GENERAL INSTRUCTIONS - OVAL POOLS GROUND PREPARATION

PARTS LISTING

Product Description:			Javalx Oval						Revised Sept 2019
Product Code:			PJAVLX-YM52RSRRRRQ31						
Index#	Description	Part #	Quantity required for installation (by pool size)						PRICING
			1216	1220	1224	1526	1530	1833	
A	Stabilizer (Round section)	1071507160000	4	6	6	8	8	10	\$19.64
A	Stabilizer (Round section)	1072407160000							\$19.64
A	Stabilizer (Straight section)	10707000042	2	2	4	4	6	6	\$13.82
A	Stabilizer-transition (End of straight section)	1071507160010	4	4	4	4	4	4	\$16.51
B	Bottom rail (Section round)	1081547000000	4	6	6	8	8	10	\$32.23
B	Bottom rail (Section round)	1082447000000							\$32.23
B	Bottom rail (Straight section)	10847000042	2	2	4	4	6	6	\$20.84
B	Bottom rail-transition (End of straight section)(right)	1081547000020	2	2	2	2	2	2	\$23.88
B	Bottom rail-transition (End of straight section)(left)	1081547000030	2	2	2	2	2	2	\$23.88
C	Steel wall		1	1	1	1	1	1	
D	Steel bar	11823	2	2	2	2	2	2	\$10.58
E	Bottom plate	11247350000	6	8	8	10	10	12	\$12.37
E	Bottom plate (straight section)	10433000000	4	4	6	6	8	8	\$16.99
F	Upright	10253350002	6	8	8	10	10	12	\$101.26
G	Top ledge	10147350000	8	10	10	12	12	14	\$107.39
G	Top ledge (straight section)	10147350042	2	2	4	4	6	6	\$84.35
H	Top plate	11147350000	10	12	14	16	18	20	\$9.69
I1	Ledge cover (front part)	10347350000	10	12	14	16	18	20	\$5.82
I2	Ledge cover (back part)	10347350010	10	12	14	16	18	20	\$6.55
J	Ledge cover plate	10347350030	10	12	14	16	18	20	\$3.14
K	Pan Phill SS #12,1 TYPE A	2PPS121	60	70	80	90	100	110	\$1.25
L	Under channel	15933	4	4	6	6	8	8	\$225.53
M	Steel strap end channel	16539	4	4	6	6	8	8	\$173.10
N	Oval channel end cap	22726	4	4	6	6	8	8	\$1.25
O	Steel pressure plate	16549	4	4	6	6	8	8	\$126.41
P	Strap 12'	16724	4	4	6				\$13.12
P	Strap 15'	16725				9	12		\$13.12
	Strap	16726						12	\$16.89
Q	Right gusset	22219	4	4	6	6	8	8	\$88.36
Q	Left gusset	22220	4	4	6	6	8	8	\$88.36
R	Straight side steel upright	10014	4	4	6	6	8	8	\$116.73
S	Foam block	29917	4	4	6	6	8	8	\$7.37
T	Washer 3 holes	16663	8	8	12	12	16	16	\$1.44
U	Bolt 5" x 5/16 - 18	99-0073	40	40	60	60	80	80	\$3.05
V	Nut 5/16 - 18	99-0027	52	52	84	84	112	112	\$0.72
W	Screw 1/2" x 5/16 - 18	99-0026	12	12	24	24	32	32	\$1.81
X	Screw 1/2" #10	99-0068	34	34	46	46	58	58	\$0.33
Y	Screw #10x1" 18-8SS	99-0070	5	5	10	10	20	10	\$0.75
Z	Stainless steel screw 12 x 3/4"	V12x34	60	60	80	80	105	105	\$0.52
*	Hardware bag	1051216350	1						\$101.99
*	Hardware bag	1051220350		1					\$124.80
*	Hardware bag	1051224350			1				\$139.70
*	Hardware bag	1051526350				1			\$162.32

**Section
1**

**GENERAL INSTRUCTIONS - OVAL POOLS
GROUND PREPARATION**

PARTS LISTING

Product Description:		Javalx Oval	Revised Sept 2019						
Product Code:		PJAVLX-YM52RSRRRRQ31							
			Quantity required for installation (by pool size)						
Index#	Description	Part #	1216	1220	1224	1526	1530	1833	PRICING
*	Hardware bag	1051530350					1		\$177.41
*	Hardware bag	1051833350						1	\$200.03
**	Hardware for wall	1050000054	1	1	1	1	1	1	\$56.92
***	Hardware bag	16720	1	1	1	1	2	2	\$102.34
***	Hardware bag	16722			1	1			\$51.35
****	Hardware bag	10522122	1	1					\$86.02
****	Hardware bag	10522123					1	1	\$171.44
****	Hardware bag	10522124			1	1			\$132.70
	Truss phill 18-8 bolts 18-8 1/4-	99-0023	31	31	31	31	31	31	\$0.72
	Flange nuts S/S 1/4-20 Serrated	2FGS422	31	31	31	31	31	31	\$0.54
	Installation DVD	SACWBI36875	1	1	1	1	1	1	\$11.66

* In the hardware bag you will find parts: #2PPS121

** In the hardware bag for wall you will find parts: #99-0023 - #2FGS422

*** In the hardware bag you will find parts: #99-0070 - #99-0027 - #16663

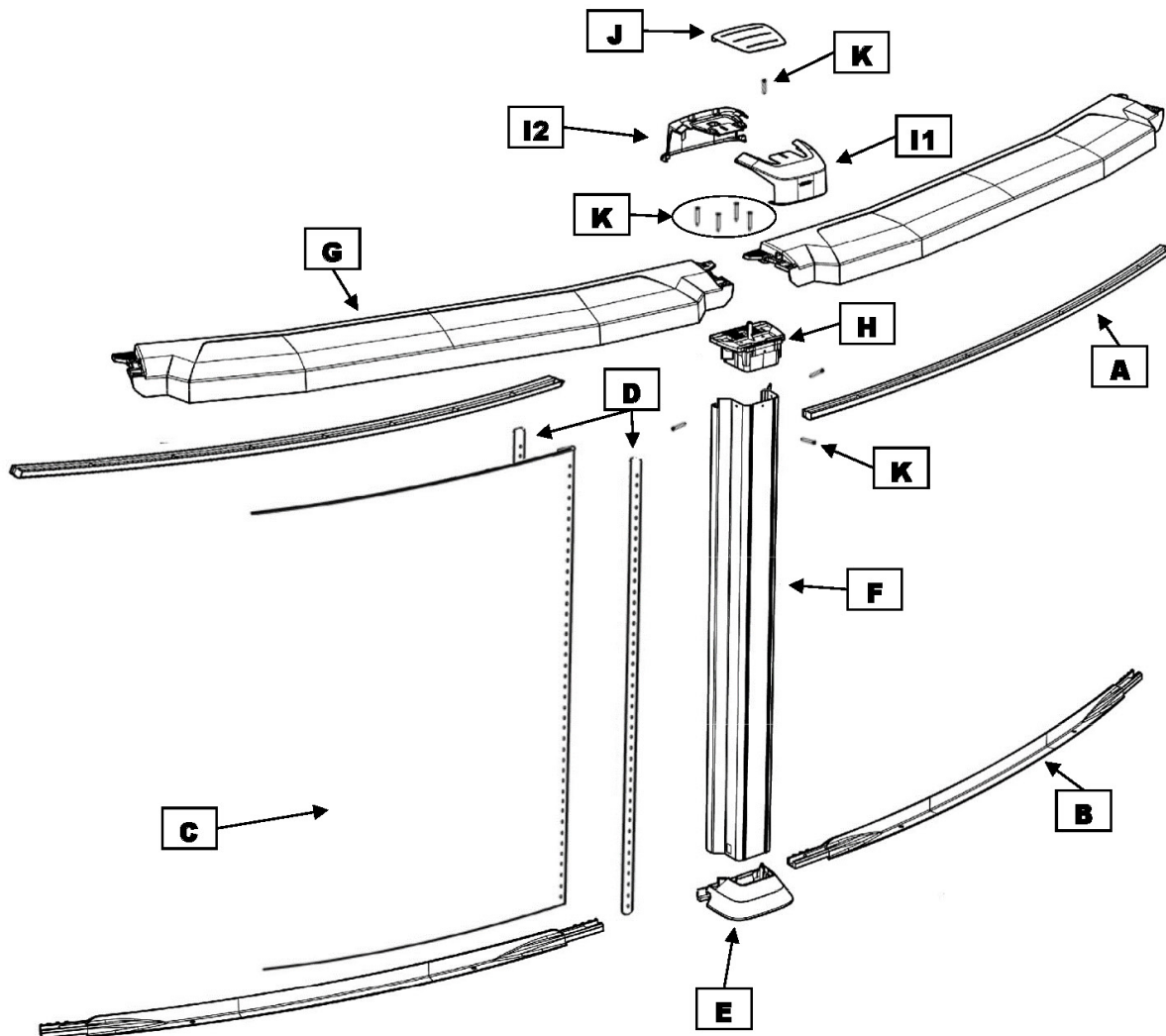
**** In the hardware bag you will find parts: #99-0073 - #99-0070 - #99-0068 - #99-0027 - #99-0026 - #V12x34

Section
1

GENERAL INSTRUCTIONS - OVAL POOLS
GROUND PREPARATION

PARTS LISTING

Javalx RTR
PJAVLX-54RSRRRRQ31
Round



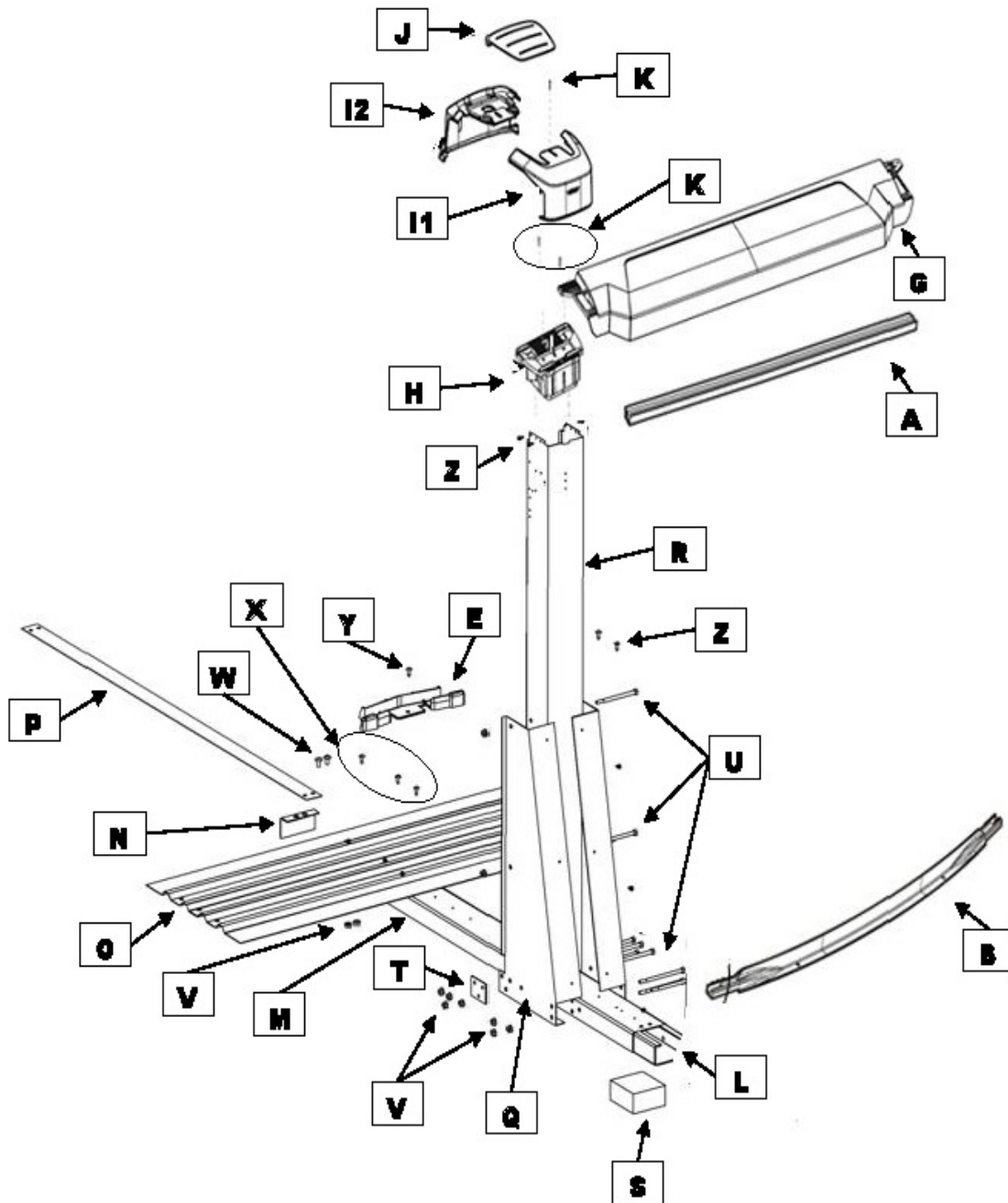
⚠ IMPORTANT NOTE:
Make sure you have all the parts necessary before you start installation.

Section
1

GENERAL INSTRUCTIONS - OVAL POOLS
GROUND PREPARATION

PARTS LISTING

Javalx RTR
PJAVLX-YM54RSRRRRQ31
Yardmore
Straight Section



**Section
1**

**GENERAL INSTRUCTIONS - OVAL POOLS
GROUND PREPARATION**

PARTS LISTING

Product Description:		Javalx Oval	Revised Sept 2019					
Product Code:		PJAVLX-YM54RSRRRRQ31						
Index#	Description	Part #	Quantity required for installation (by pool size)					
			1216	1220	1224	1526	1530	1833
A	Stabilizer (Round section)	1071507160000	4	6	6	8	8	10
A	Stabilizer (Round section)	1072407160000						
A	Stabilizer (Straight section)	10707000042	2	2	4	4	6	6
A	Stabilizer-transition (End of straight section)	1071507160010	4	4	4	4	4	4
B	Bottom rail (Section round)	1081547000000	4	6	6	8	8	10
B	Bottom rail (Section round)	1082447000000						
B	Bottom rail (Straight section)	10847000042	2	2	4	4	6	6
B	Bottom rail-transition (End of straight section)(right)	1081547000020	2	2	2	2	2	2
B	Bottom rail-transition (End of straight section)(left)	1081547000030	2	2	2	2	2	2
C	Steel wall		1	1	1	1	1	1
D	Steel bar	11825	2	2	2	2	2	2
E	Bottom plate	11247350000	6	8	8	10	10	12
E	Bottom plate (straight section)	10433000000	4	4	6	6	8	8
F	Upright	10253350004	6	8	8	10	10	12
G	Top ledge	10147350000	8	10	10	12	12	14
G	Top ledge (straight section)	10147350042	2	2	4	4	6	6
H	Top plate	11147350000	10	12	14	16	18	20
I1	Ledge cover (front part)	10347350000	10	12	14	16	18	20
I2	Ledge cover (back part)	10347350010	10	12	14	16	18	20
J	Ledge cover plate	10347350030	10	12	14	16	18	20
K	Pan Phill SS #12,1 TYPE A	2PPS121	60	70	80	90	100	110
L	Under channel	15933	4	4	6	6	8	8
M	Steel strap end channel	16539	4	4	6	6	8	8
N	Oval channel end cap	22726	4	4	6	6	8	8
O	Steel pressure plate	16549	4	4	6	6	8	8
P	Strap 12'	16724	4	4	6			
P	Strap 15'	16725				9	12	
	Strap	16726						12
Q	Right gusset	22219	4	4	6	6	8	8
Q	Left gusset	22220	4	4	6	6	8	8
R	Straight side steel upright	10015	4	4	6	6	8	8
S	Foam block	29917	4	4	6	6	8	8
T	Washer 3 holes	16663	8	8	12	12	16	16
U	Bolt 5" x 5/16 - 18	99-0073	40	40	60	60	80	80
V	Nut 5/16 - 18	99-0027	52	52	84	84	112	112
W	Screw 1/2" x 5/16 - 18	99-0026	12	12	24	24	32	32
X	Screw 1/2" #10	99-0068	34	34	46	46	58	58
Y	Screw #10x1" 18-8SS	99-0070	5	5	10	10	20	10
Z	Stainless steel screw 12 x 3/4"	V12x34	60	60	80	80	105	105
*	Hardware bag	1051216350	1					
*	Hardware bag	1051220350		1				
*	Hardware bag	1051224350			1			
*	Hardware bag	1051526350				1		

**Section
1**

**GENERAL INSTRUCTIONS - OVAL POOLS
GROUND PREPARATION**

PARTS LISTING

Product Description:		Javalx Oval		Revised Sept 2019				
Product Code:		PJAVLX-YM54RSRRRRQ31						
			Quantity required for installation (by pool size)					
Index#	Description	Part #	1216	1220	1224	1526	1530	1833
*	Hardware bag	1051530350					1	
*	Hardware bag	1051833350						1
**	Hardware for wall	1050000054	1	1	1	1	1	1
***	Hardware bag	16720	1	1	1	1	2	2
***	Hardware bag	16722			1	1		
****	Hardware bag	10522122	1	1				
****	Hardware bag	10522123					1	1
****	Hardware bag	10522124			1	1		
	Truss phill 18-8 bolts 18-8 1/4-	99-0023	31	31	31	31	31	31
	Flange nuts S/S 1/4-20 Serrated	2FGS422	31	31	31	31	31	31
	Installation DVD	SACWBI36875	1	1	1	1	1	1

* In the hardware bag you will find parts: #2PPS121

** In the hardware bag for wall you will find parts: #99-0023 - #2FGS422

*** In the hardware bag you will find parts: #99-0070 - #99-0027 - #16663

**** In the hardware bag you will find parts: #99-0073 - #99-0070 - #99-0068 - #99-0027 - #99-0026 - #V12x34

Section 1

GENERAL INSTRUCTIONS - OVAL POOLS GROUND PREPARATION

READ ALL INSTRUCTIONS CAREFULLY

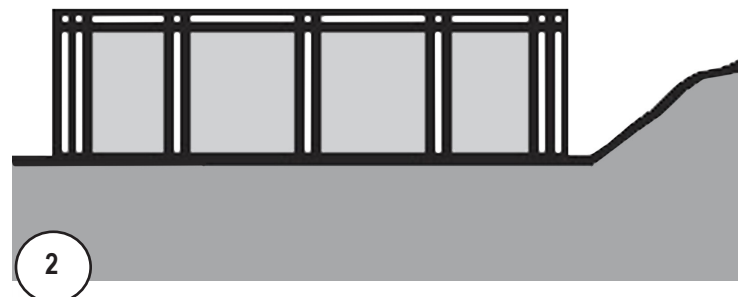
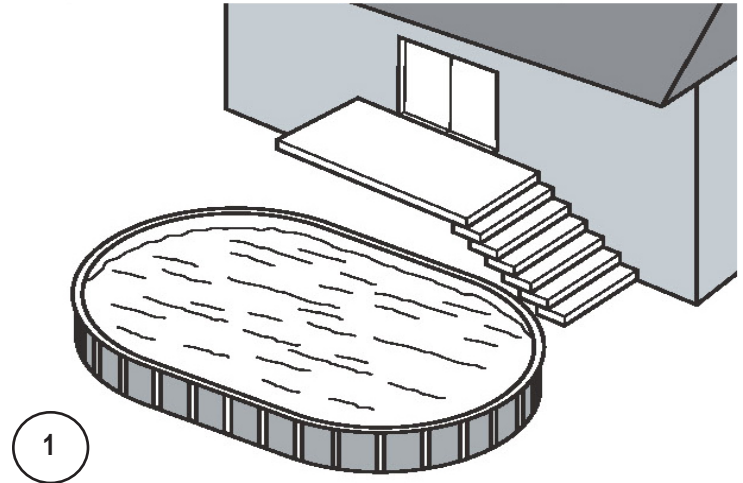
The approximate time it takes for installation, excluding earthworks and filling is about 1 day.
You will need at least 3 people to help with installation.

A. DETERMINE THE LOCATION OF YOUR POOL

1. The Terrain

Pay special attention to choosing the right location for your pool:

- Choose a large area, as flat and level as possible and well drained. **(Image 1)**
- Choose a spot on dry, firm earth (stabilizer or other)—do not install the pool on asphalt, tar or oil based surfaces, gravel, peat moss, wood or chemically treated soil.
- Check with your pool dealer to see if Nut Grass grows in your area. This type of grass may grow up through your pool liner. Your dealer will be able to advise how best to treat the site.
- Sloped areas will need to be made level by digging away high spots, not by filling low spots—be prepared to hire earth-moving equipment if necessary.
- Ensure the earth is well compacted and a wall is placed to prevent the earth from seeping out. **(Image 2)**
- If you need to install partly in the ground, you must contact your dealer to see if this is an option for you and that you meet law requirements in your jurisdiction. **(Image 3)**



Important Note:

Ground preparation is one of the most important steps in the installation process. A proper foundation will ensure the rest of the pool assembly goes smoothly and that no problems will occur when the pool is filled with water.

Section 1

GENERAL INSTRUCTIONS - OVAL POOLS GROUND PREPARATION

A. CONT. DETERMINE THE LOCATION OF YOUR POOL

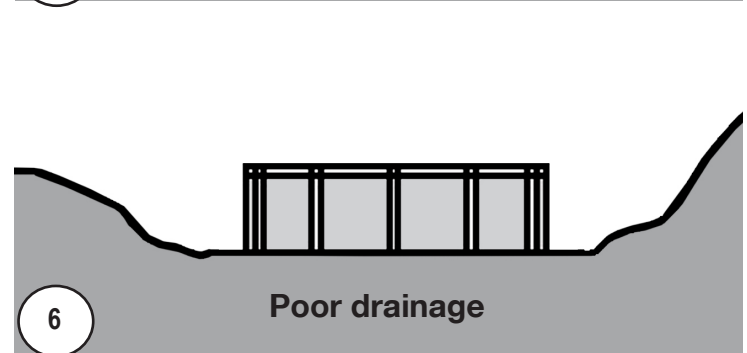
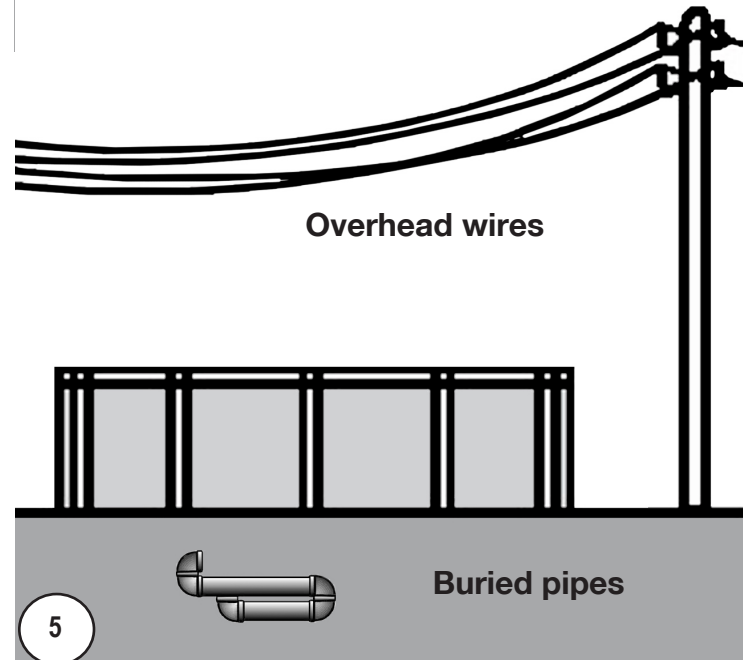
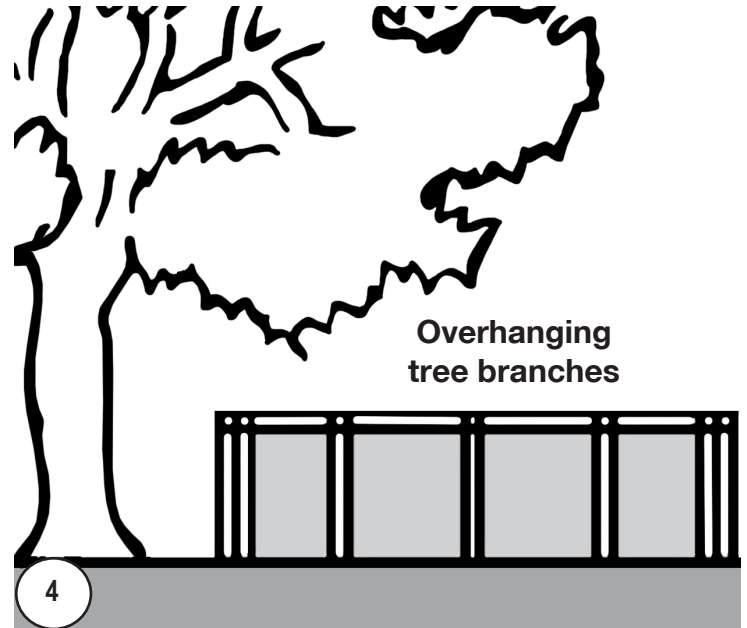
2. Things to Avoid

Do not locate your pool near or on any of the following (**Images 4 to 6**):

- Overhanging tree branches.
- Overhead wires and clotheslines.
- Buried pipes and wires. Contact your gas, electric and telephone utilities to find buried pipes and wires before you dig.
- Areas with poor drainage.
- Grass, stones and roots. Grass will rot underneath the pool liner, and stones and roots will damage the pool liner.
- Areas recently treated with oil-based weed killers, chemicals or fertilizers.

3. Plan Ahead

- Will you be adding an adjacent deck later? Be sure to leave room.
- Will you be using pool accessories or other appliances that need electricity or gas? Locate your pool near these services or plan to have them installed later by a licensed contractor.



Important Note:

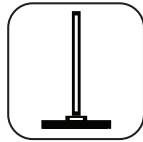
When locating the centre of the pool, be sure to take into consideration any structures (deck, patio, house) or relevant items (change rooms, gazebo, etc.) that the pool may need to line up with and ensure that the pool is in the most visual pleasing location for your property.

Section 1

GENERAL INSTRUCTIONS - OVAL POOLS GROUND PREPARATION

A. CONT. DETERMINE THE LOCATION OF YOUR POOL

4. Tools Needed



Compactor



Hammer



Water hose



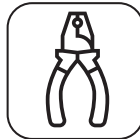
Level



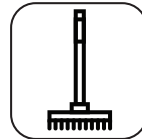
File



Vacuum cleaner



Pliers



Rake



Lawn roller



Metal snips



Screwdriver



Wheelbarrow



Shovel



Spraypaint



Mallet



Measuring tape



Duct tape



Trowel



Wrench



 Gloves

List of required materials

- Straight wood plank
- Material that provides a permanent base (ex. Crushed stone)
- Fine sand (void of debris)
- Cement blocks (5cm x 20cm x 40cm / 2"x 8"x16") (optional)
- 2x Plywood (60cm x 120cm / 2ft x 4ft)
- Wood board (30cm x 20cm / 1ft x 1ft)
- Vinyl covered hooks (to hold wall steady)
- String and stakes & wooden pegs
- Prefabricated cove sections (optional)
- Pool carpeting (optional)
- Rope
- Polyethylene Plastic Sheeting

- Optical Level
Can be useful for precise measurements



Important Note:

Wall edges, skimmer and water return holes may be sharp, it is important to wear gloves when installing.

Section 1

GENERAL INSTRUCTIONS - OVAL POOLS GROUND PREPARATION

B. PREPARE THE FOUNDATION OF YOUR POOL

1. Mark out the area

- a. The next following steps will show you how to mark out the area you need for the oval pool. This marked area will be larger than the pool size itself, but this space is needed. Find a site where the ground is stable, level and well drained. Once you have selected your site, determine where the middle of your pool will be.

See Diagrams:

Please see in the next page for an **EXAMPLE** on how to correctly mark your pool area.
Please verify your pool's **FOOTPRINT** for correct measurements on the last pages of this **Section 1**.

- b. Drive a peg into the ground at the centre point.
(Image 1)
- c. Now you must make the round ends that will be the oval part. In order to do so, you will have to determine the center of the radius on each side and drive a peg into the ground.
(Image 2)
- d. Using a length of string tied between the peg and a can of spray paint mark the circles on the ground.
(Image 3)
- e. Once the center has been established, and the measurement of the pool itself has been determined, you must now determine the outer limits of the perimeter of your pool. Add 12" (30cm) outside this measurement to determine pool perimeter.
(Image 4)

