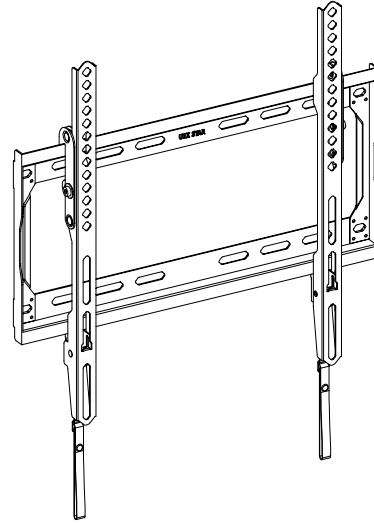


USX STAR™



STM006 INSTRUCTION MANUAL

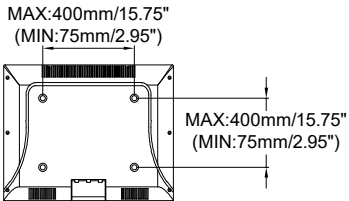

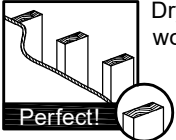
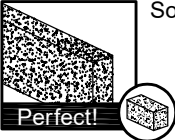










Tilting TV Wall Mount for 26-60 Inch TVs

For 26-60" TV

If you have any questions along the way, just visit usxstar.com to message to us. We're ready to help!

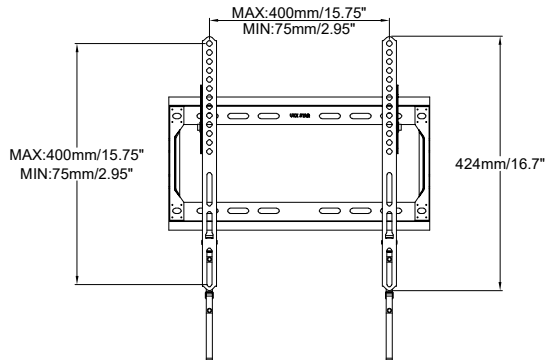
⚠ CAUTION: PLEASE READ ENTIRE MANUAL PRIOR TO USE AND SAVE THESE INSTRUCTIONS

Before getting started, let's check below lists to make sure it is just right for you!

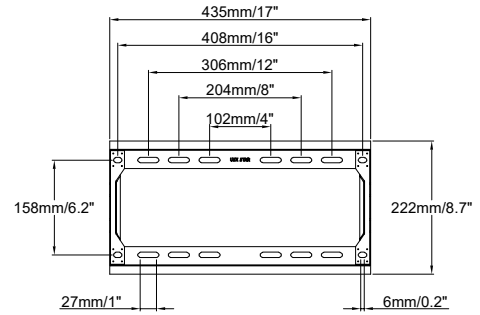
| | |
|--|--|
| <p>1</p> <p>Check your TV VESA is within Min and Max size</p> |  <p>MAX: 400mm/15.75" (MIN: 75mm/2.95")</p> <p>MAX: 400mm/15.75" (MIN: 75mm/2.95")</p> <p>No? This mount is NOT compatible. Yes? Perfect !</p> |
| <p>2</p> <p>Does your TV (including accessories) weigh MORE than 99 lbs. (45 kg)?</p> |  <p>Max: 99 LBS (45 kg)</p> <p>No? Perfect – you may continue. Yes? This mount is NOT compatible.</p> <div style="border: 1px solid black; padding: 5px;"> <p>⚠ CAUTION: DO NOT exceed the maximum weight indicated. This mounting system is intended for use only with the maximum weights indicated. Use with products heavier than the maximum weights indicated may result in collapse of the mount and its accessories, causing possible injury.</p> </div> |
| <p>3</p> <p>What is your wall made of?</p> | <div style="display: flex; justify-content: space-between;"> <div style="text-align: center;">  <p>Drywall with wood studs? Perfect!</p> </div> <div style="text-align: center;"> <div style="border: 1px solid black; padding: 5px;"> <p>CAUTION: DO NOT install into drywall alone</p> </div> </div> <div style="text-align: center;">  <p>Solid concrete Perfect!</p> </div> <div style="text-align: center;"> <div style="border: 1px solid black; padding: 5px;"> <p>? Unsure? Message to us via Amazon.</p> </div> </div> </div> |
| <p>4</p> <p>Do you have all the tools needed? (Not included)</p> | <div style="display: flex; justify-content: space-around; align-items: flex-end;"> <div style="text-align: center;">  <p>Tape Measure</p> </div> <div style="text-align: center;">  <p>Pencil</p> </div> <div style="text-align: center;">  <p>Screw driver</p> </div> <div style="text-align: center;">  <p>Electric Drill</p> </div> <div style="text-align: center;">  <p>Socket Wrench 1/2"(13mm)</p> </div> <div style="background-color: black; color: white; padding: 5px; writing-mode: vertical-rl; transform: rotate(180deg);"> Wood Stud Install </div> <div style="text-align: center;">  <p>Stud Finder</p> </div> <div style="text-align: center;">  <p>Awl</p> </div> <div style="text-align: center;">  <p>5/32"(4mm) Wood Drill Bit</p> </div> <div style="background-color: black; color: white; padding: 5px; writing-mode: vertical-rl; transform: rotate(180deg);"> Concrete Install </div> <div style="text-align: center;">  <p>3/8"(10mm) Masonry Drill Bit</p> </div> <div style="text-align: center;">  <p>Hammer</p> </div> </div> |
| <p>5</p> <p>Caution</p> | <ul style="list-style-type: none"> • This product is designed for use in wood stud, solid concrete walls - DO NOT install into drywall alone • The wall must be capable of supporting five times the weight of the TV and mount itself • Do not use this product for any purpose not explicitly specified by manufacturer • Manufacturer is not responsible for damage or injury caused by incorrect assembly or use |

Dimensions

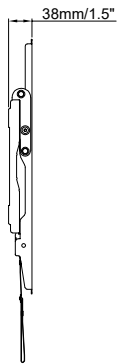
TV INTERFACE



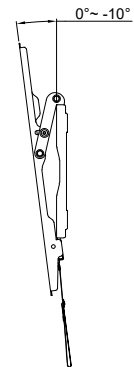
WALL PLATE



SIDE VIEW



SIDE VIEW



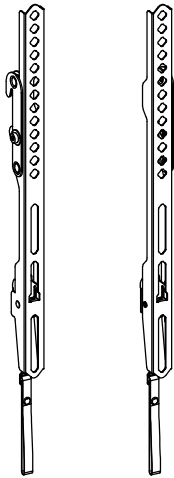
Parts and Hardware

▲ WARNING: This product contains small items that could be a choking hazard if swallowed. Before starting assembly, verify all parts are included and undamaged. If any parts are missing or damaged, do not return the damaged item to your dealer; contact Customer Service.
Never use damaged parts!

NOTE: Not all hardware included will be used.

Parts and Hardware for STEP 1

TV Brackets

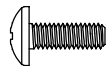


04 x1

05 x1

TV Screws

M4x12mm



a x4

M4x30mm



d x4

M6x12mm



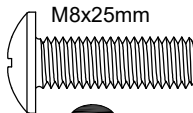
b x4

M6x35mm



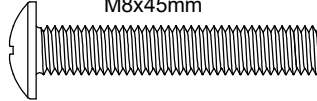
e x4

M8x25mm



c x4

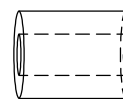
M8x45mm



f x4

Spacers

M8x22mm



g x4

10mm



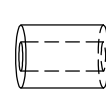
h x4

2.5mm



i x8

M6x17mm



j x4

Washers

M4



k x4

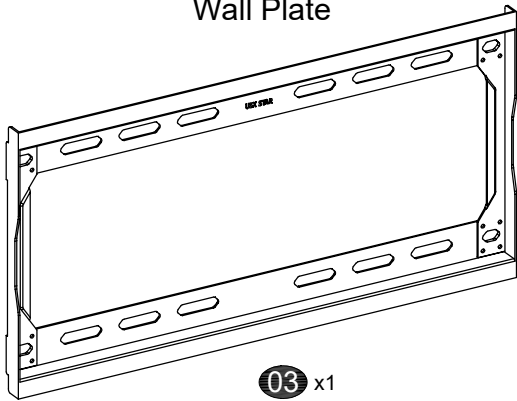
M6



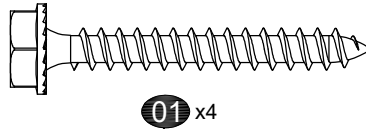
l x4

Parts and Hardware for STEP 2

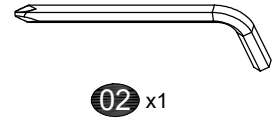
Wall Plate



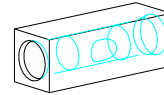
Lag Bolt M7x55mm



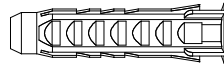
Allen Key



Level x1



Concrete wall anchor (NOT INCLUDED)



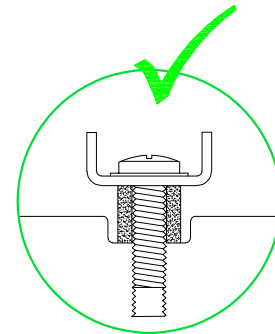
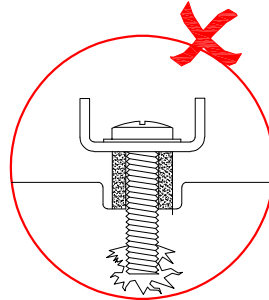
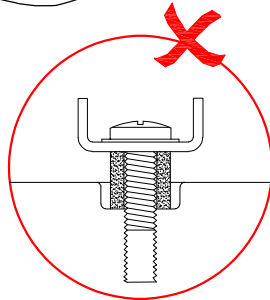
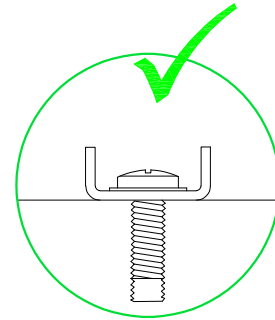
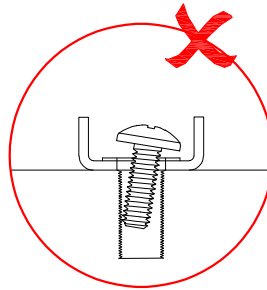
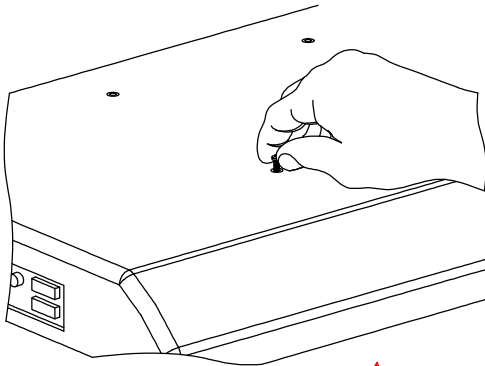
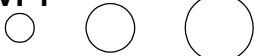
Concrete Wall Anchor
Ø10x50mm 4pcs

Contact us and message to us to have these additional pieces shipped directly to you.

STEP 1 Attach Brackets to TV

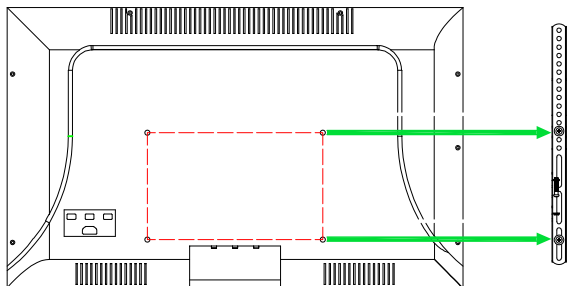
1-1 Select TV Screws

M4 M6 M8

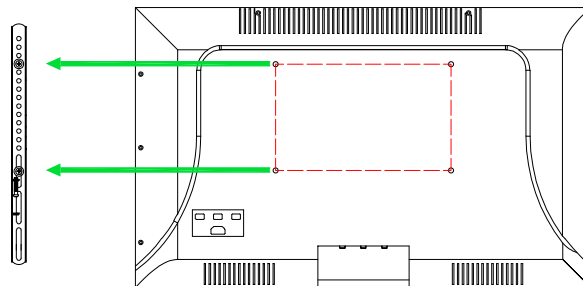


1-2 Figure out the suitable position of brackets

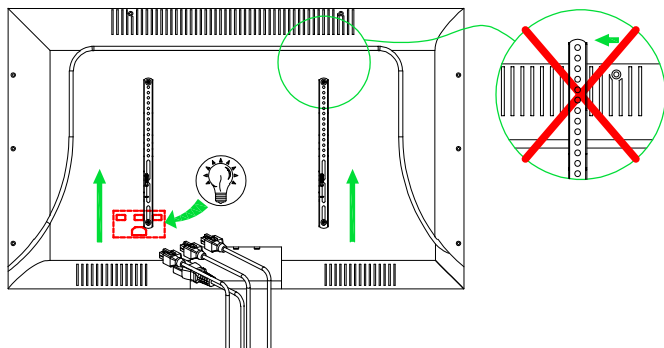
LOW MOUNTING HOLES



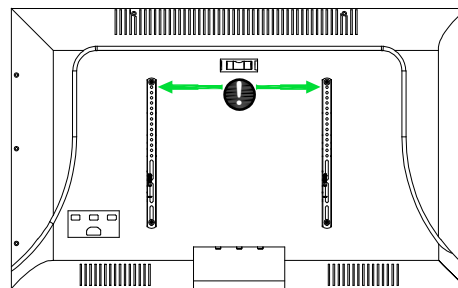
HIGH MOUNTING HOLES



💡 INSTALL UP/DOWN IF NEEDED

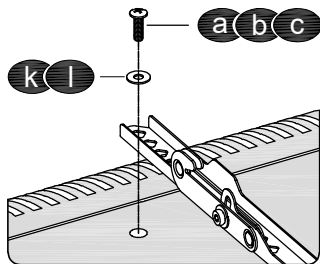


📏 TV BRACKETS MUST BE LEVEL

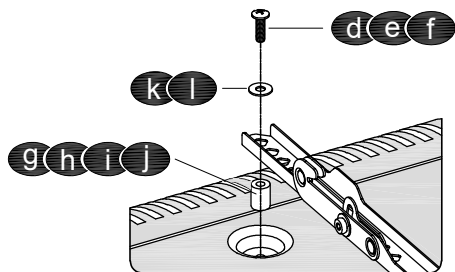


1-3 Need Spacer?

I No, choose suitable screws and washers.

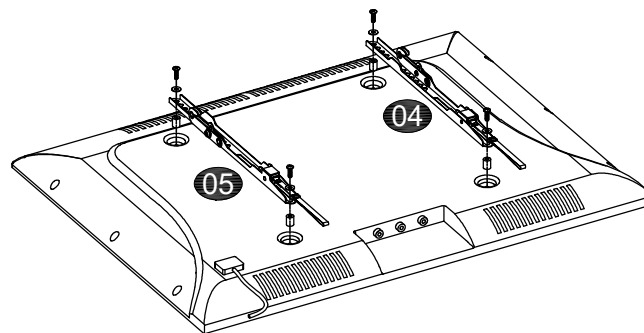
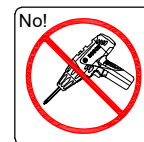


II Yes, choose suitable screws, washers and spacers.



Tips: If you need to combine M6/M8(c/e/f) screws with 2.5mm spacers(i), you have to remove the inner circle.

1-4 Attach the TV Plate

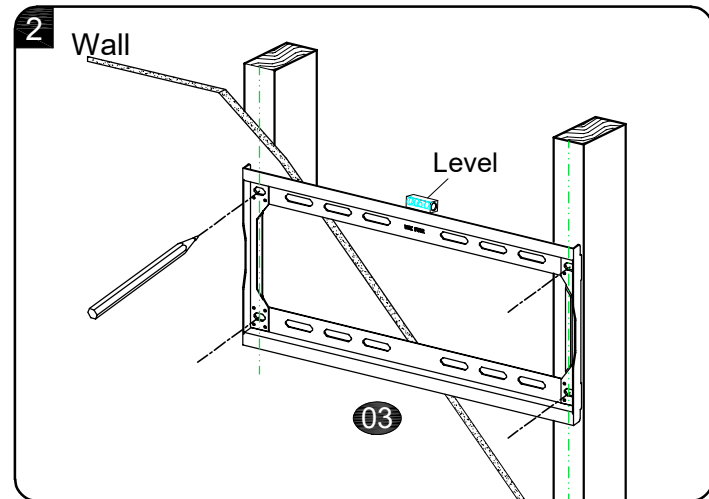
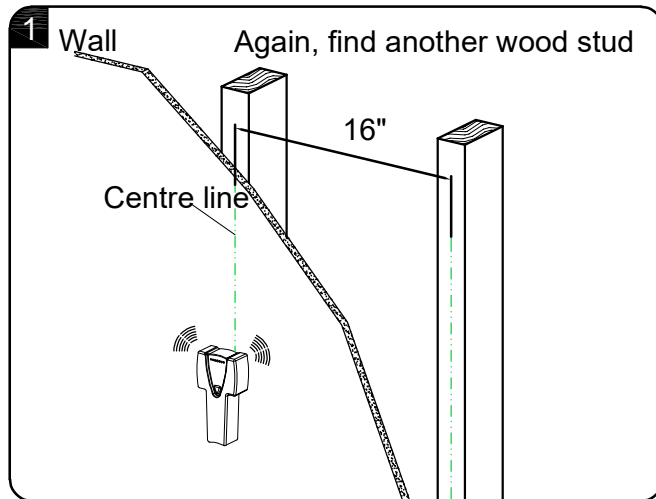


STEP 2A Attach Wall Plate to Wall Wood Stud Option

▲ CAUTION: Avoid potential personal injury or property damage!

- Drywall covering the wall, must not exceed 5/8 in. (16 mm)
- Minimum **wood stud** size: common 2 x 4 in. (51 x 102 mm) nominal 1½ x 3½ in. (38 x 89 mm)
- Maximum horizontal space between fasteners: 16 in. (406.4 mm)
- Stud center must be verified

1. Locate your studs. Verify and mark the center of the stud by finding the stud edges using a thin nail, or an edge to edge stud finder.
2. Position the wall plate unit at your desired height and line up the holes with your stud center line. Level the wall plate and mark the hole locations.



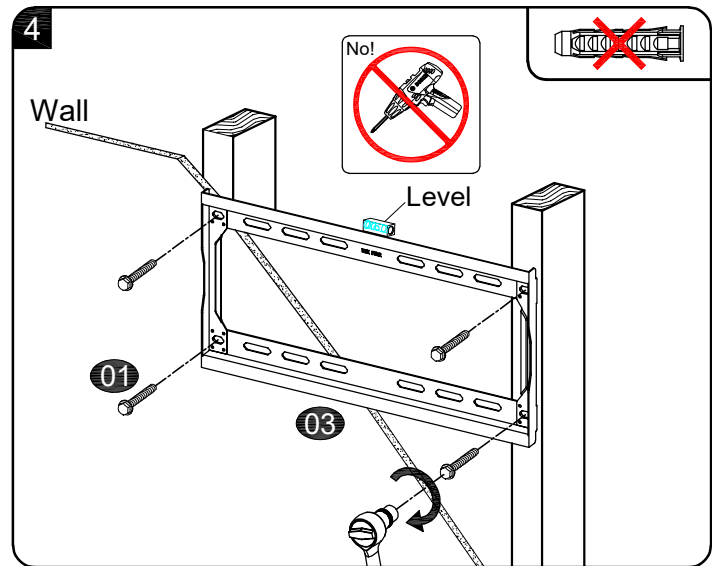
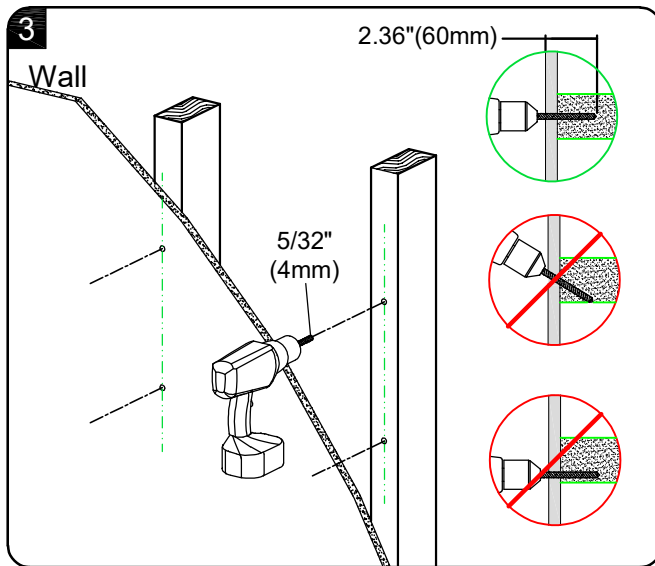
3. Drill pilot holes using a 5/32 in. (4 mm) diameter drill bit.

⚠ **IMPORTANT:** Pilot holes must be drilled to a depth of 2.36 in. (60 mm). Be sure to drill into the center of the studs.

4. Install wall plate **03** using lag bolts **01** . Tighten the lag bolts only until they are pulled firmly against the wall plate.

⚠ **CAUTION:** Improper use could reduce the holding power of the lag bolt.
DO NOT over-tighten the lag bolts.

Go to STEP 3 on PAGE 13.

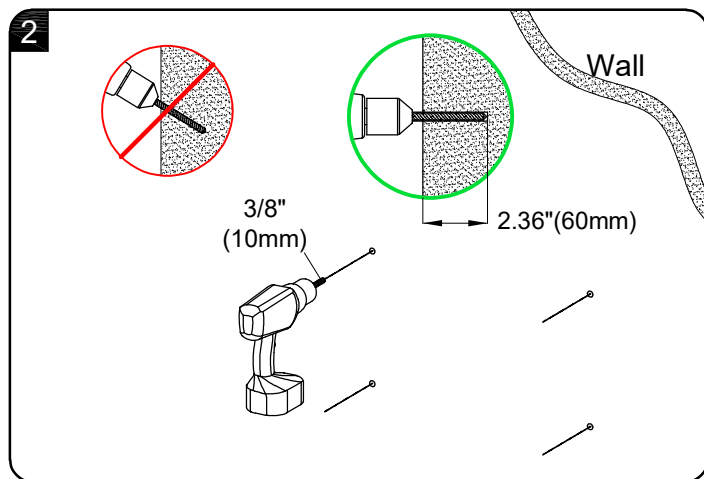
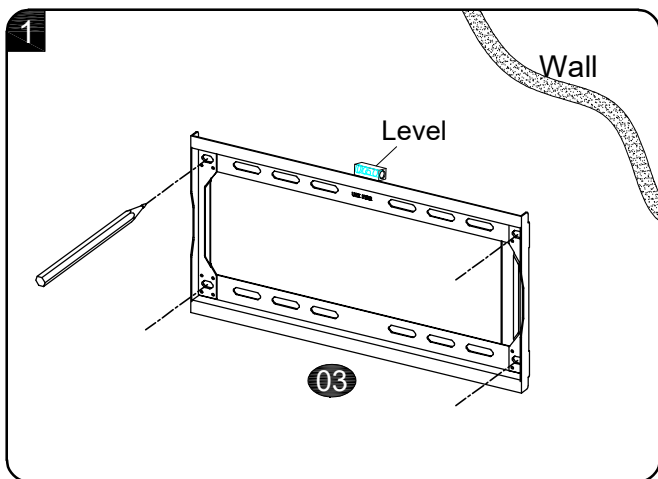


STEP 2B Attach Wall Plate to Solid Concrete Wall

⚠ CAUTION: Avoid potential personal injury or property damage!

- Mount the wall plate assembly unit directly onto the concrete surface
- Minimum **solid concrete** thickness: 8 in. (203 mm)

1. Position the wall plate unit on the wall at your desired height. Level the wall plate and mark the hole locations.
2. Drill four pilot holes using a 3/8 in. (10 mm) diameter masonry drill bit.
 - ⚠ **IMPORTANT:** Pilot holes must be drilled to a depth of 2.36 in. (60 mm).

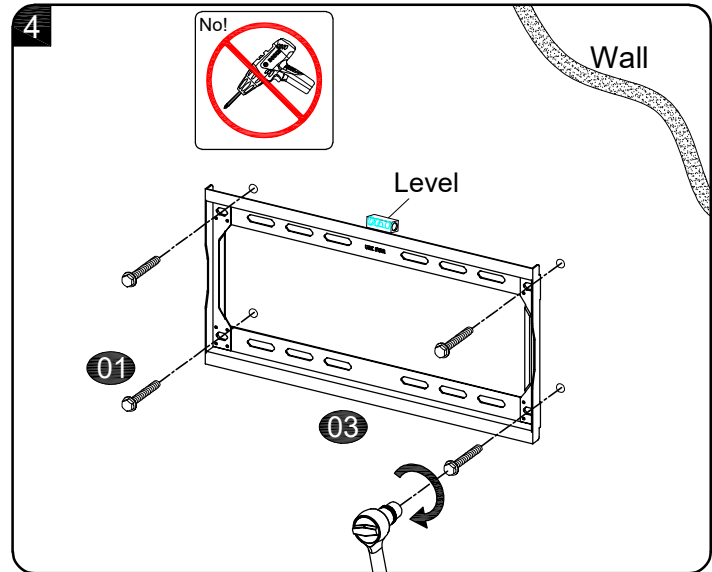
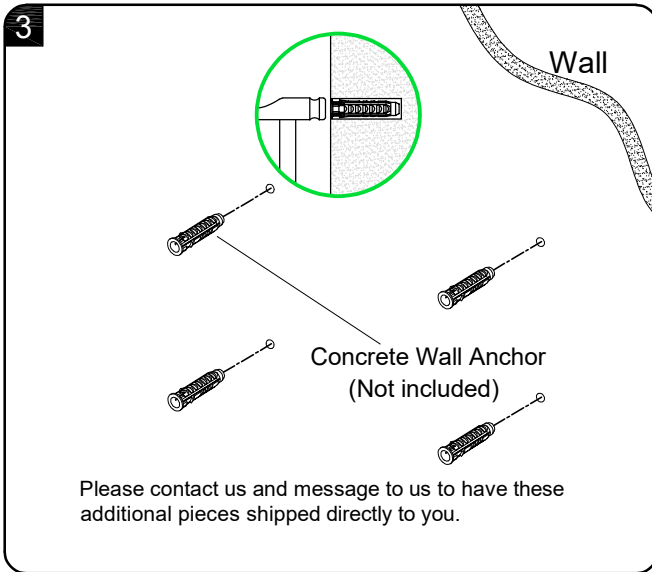


3. Insert anchors.

▲ CAUTION: Be sure the anchors are seated flush with the concrete surface.

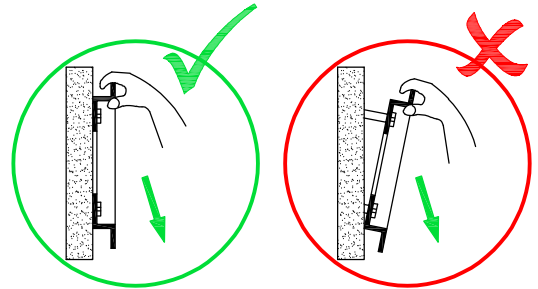
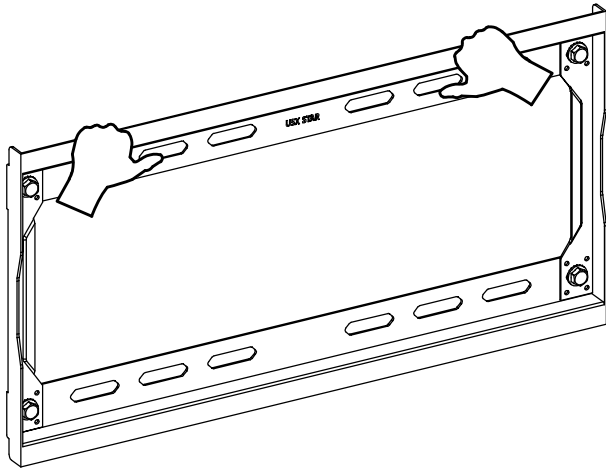
4. Insert wall plate 03 using lag bolts 01. Tighten the lag bolts only until they are pulled firmly against the wall plate.

▲ CAUTION: Improper use could reduce the holding power of the lag bolt.
DO NOT over-tighten the lag bolts.

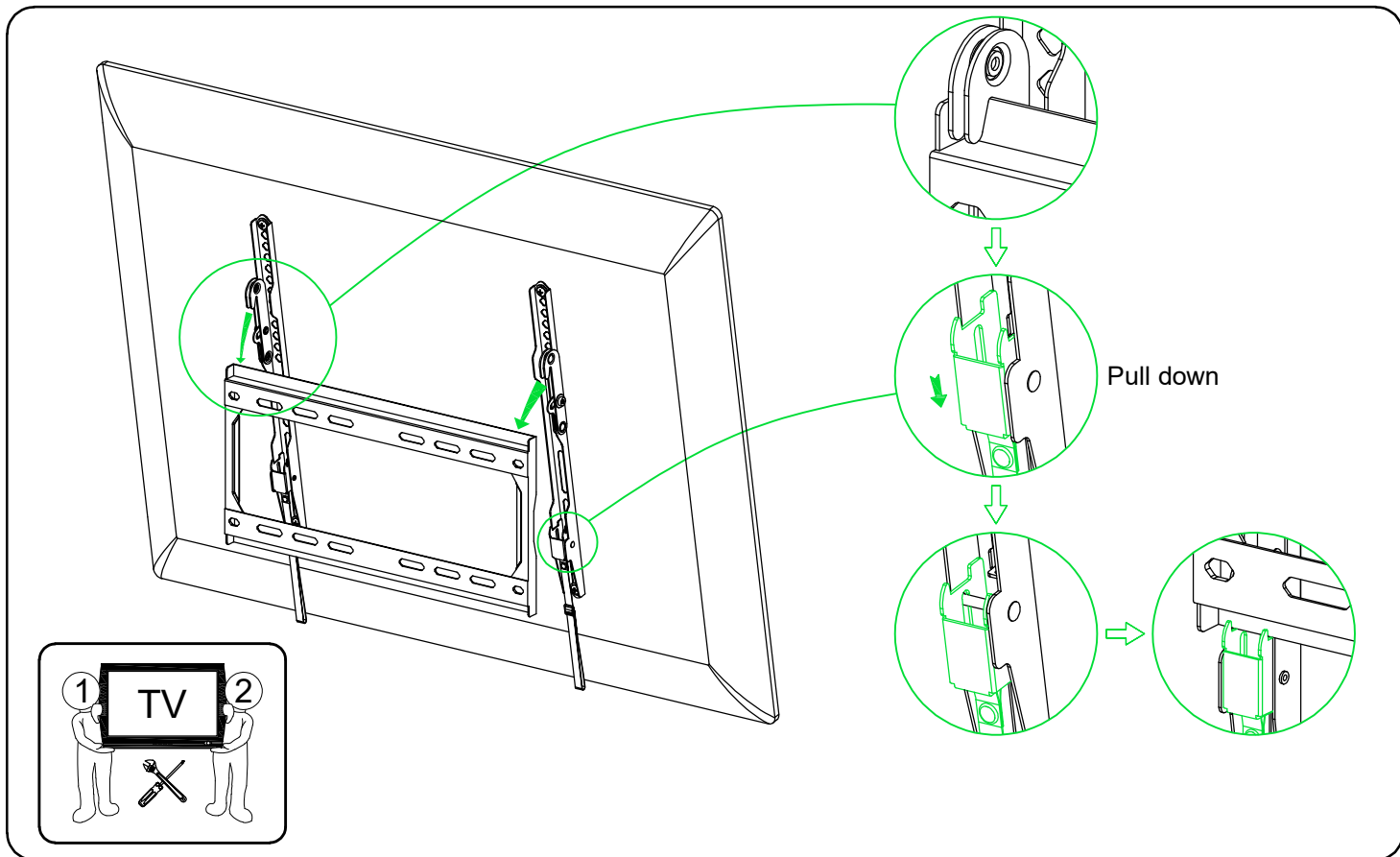


STEP 3 Wall Plate Installation Integrity Test

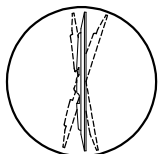
Before hanging TV, please conduct "wall plate installation integrity test" first.



STEP 4 Hang and Secure TV to Wall Plate

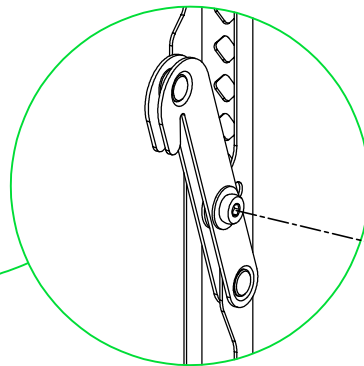
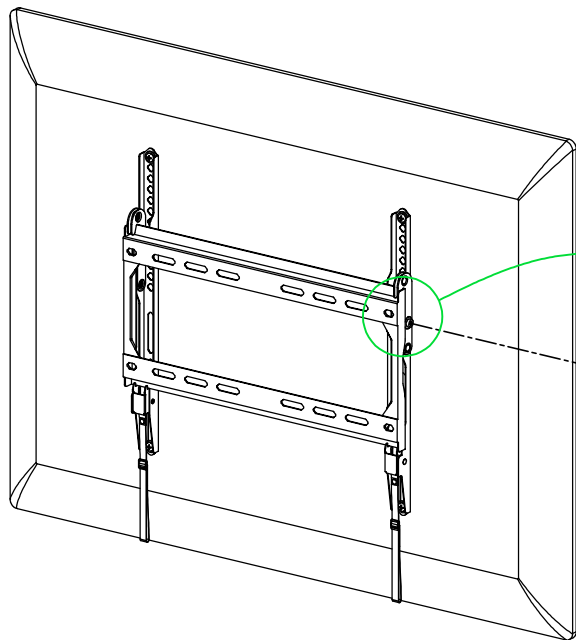


STEP 5 Adjustments



Tilting angle adjustment (0° / -10°):

Pull TV to your desired angle then fasten 2 tilting bolts with Allen key 02 .



Tighten



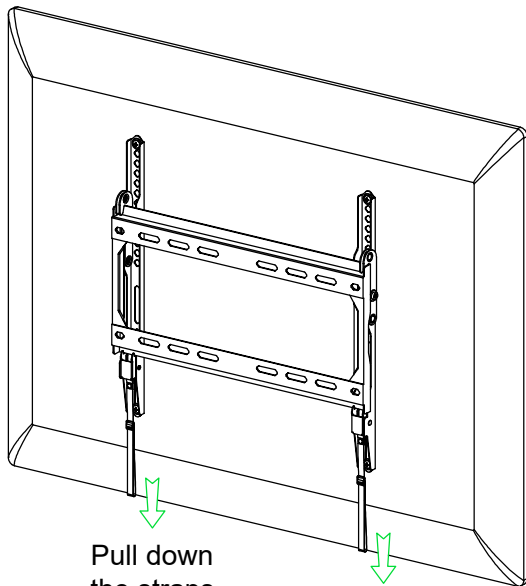
Loosen



0°
 -10°



Take Down the TV from the Mount



Pull down
the straps

