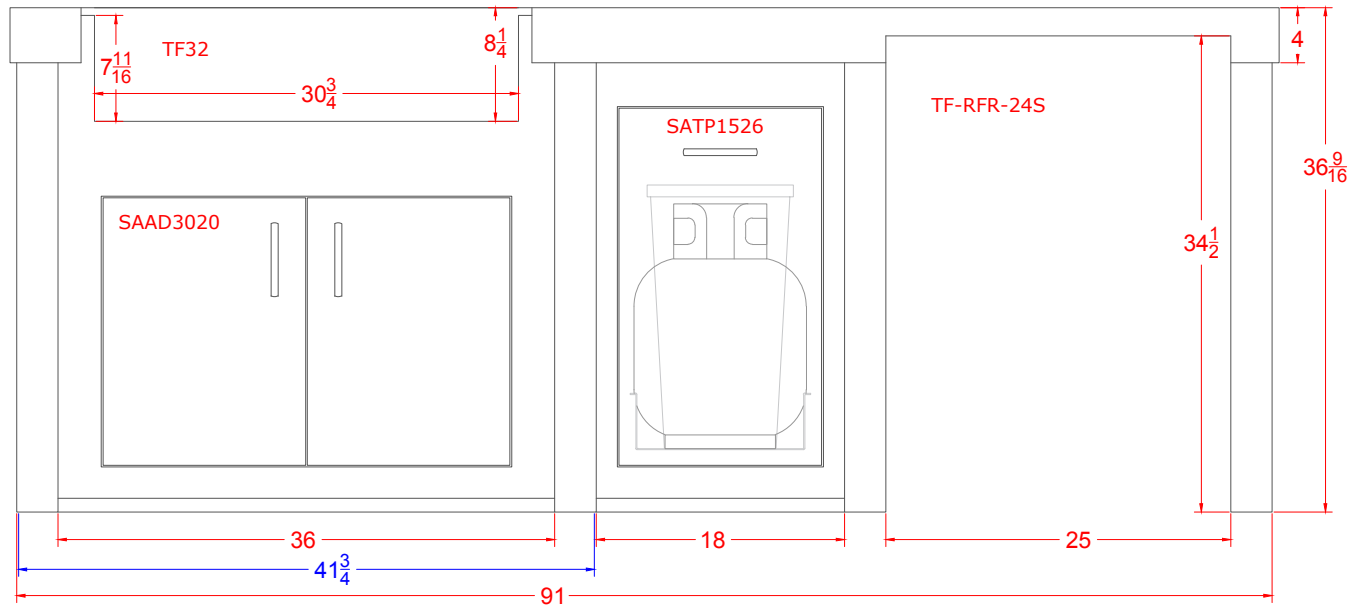
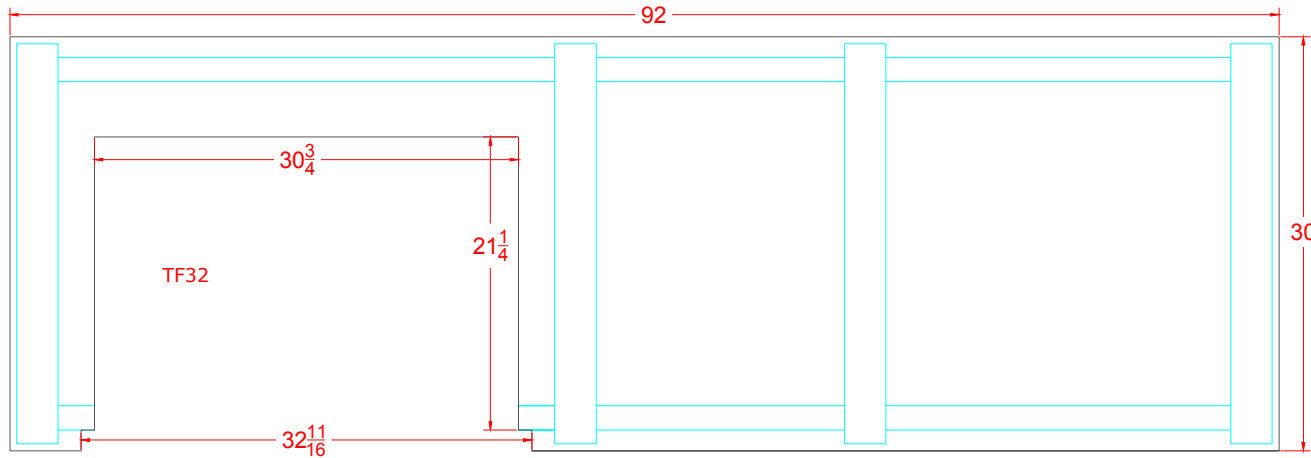


Custom Outdoor Kitchen:

1. Body Finish: Darkened Iron
2. Top Finish: Champagne
3. Component Finish: Darkened Iron



Approved as Drawn: _____ Date: _____



Dealer	PO/Project Name	Drawing Date	Description	Color	Drawn By	Revision Date
	92" Island		Outdoor Kitchen	See Notes	Ivrie	