



External air intake



2kg Pellets per hour



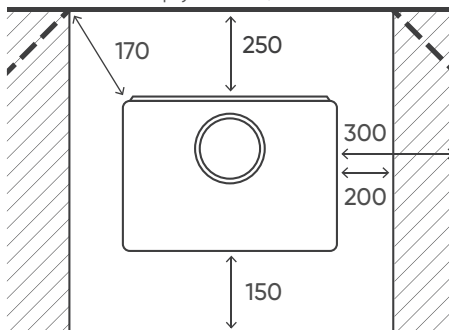
Botany

Certificate of Compliance Nr. RRF-ITT 174414-2

Tested and complies with (EU) 305/2011 (CPR)

Botany Clearances

Installed to comply with AS/NZS 2918:2018



| | |
|---------------------|---------------|
| Capacity | 200sqm |
| Efficiency | Eu 90%-95% |
| Emissions | 0.2g |
| Pellet Usage | 0.5-2.5 kg/hr |
| Weight | 99kg |
| H/W/D | 960/525/515 |