



External air intake



33cm Logs



1.8kg wood per hour



Easy to remove ash tray



Optional Heat Bank available



Atika

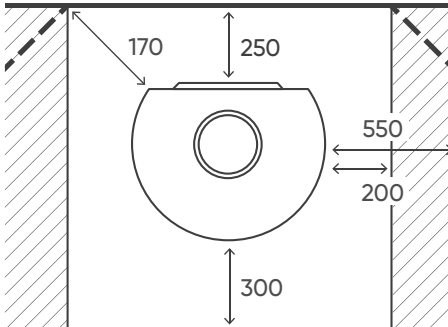
National Certificate of Compliance No; H796/1214

Tested and complies with AS/NZS 4012:2014, AS/NZS 4013:2014

Top of the range Atika combines ultra-low wood consumption, yet an efficient clean burn with excellent heat bank quality. The high quality, heavy full glass door provides additional heat retention.

Atika Clearances

Tested to comply with AS/NZS 2918:2018



Capacity	240sqm
Efficiency	Aus 67% Eu 82%
Emissions	0.8g
Wood Usage	1.8kg/hr
Weight	188kg
H/W/D	1475/538/460
Heat Bank	Optional 40kg
Ember Retention	WO/HB - 7 hr+ W/HB - 8 hr+