



External air intake



33cm Logs



1.8kg wood per hour



Easy to remove ash tray



Optional Heat Bank available



Alvesta

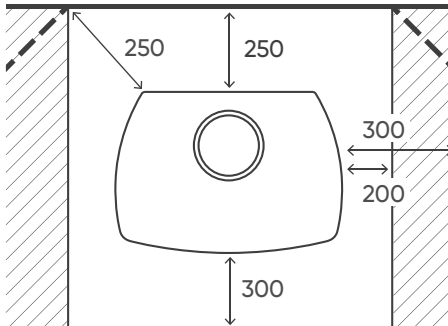
National Certificate of Compliance No; H809/1214

Tested and complies with AS/NZS 4012:2014, AS/NZS 4013:2014

Alvesta is a shorter version of the ever popular Falun. The steel body also begins distributing heat within 20 minutes of lighting making this a perfect heater for a holiday space.

Alvesta Clearances

Tested to comply with AS/NZS 2918:2018



Capacity	240sqm
Efficiency	Aus 72% Eu 82%
Emissions	1.3g
Wood Usage	1.8kg/hr
Weight	98kg
H/W/D	927/549/390
Heat Bank	Optional 10kg
Ember Retention	WO/HB - 5 hr+ W/HB - 6 hr+