



25cm Logs



1.3kg wood per hour



Easy to remove ash tray



Riddle Grate



Milano

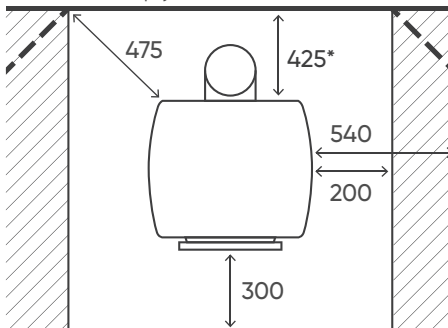
National Certificate of Compliance No; H802/1214

Tested and complies with AS/NZS 4012:2014, AS/NZS 4013:2014

Milano is one of Europe's most popular heaters. Boasting simple controls and cooktop, the rear flued Milano will produce instant heat after lighting and will convect warm air throughout smaller 2 or 3 bedroom homes.

Milano Clearances

Tested to comply with AS/NZS 2918:2018



| | |
|------------------------|-------------------|
| Capacity | 140sqm |
| Efficiency | Aus 64% Eu 79% |
| Emissions | 1.4g |
| Wood Usage | 1.3kg/hr |
| Weight | 70kg |
| H/W/D | 890/380/346 |
| Ember Retention | 5 hr+ |

*includes 200mm Flue Junction