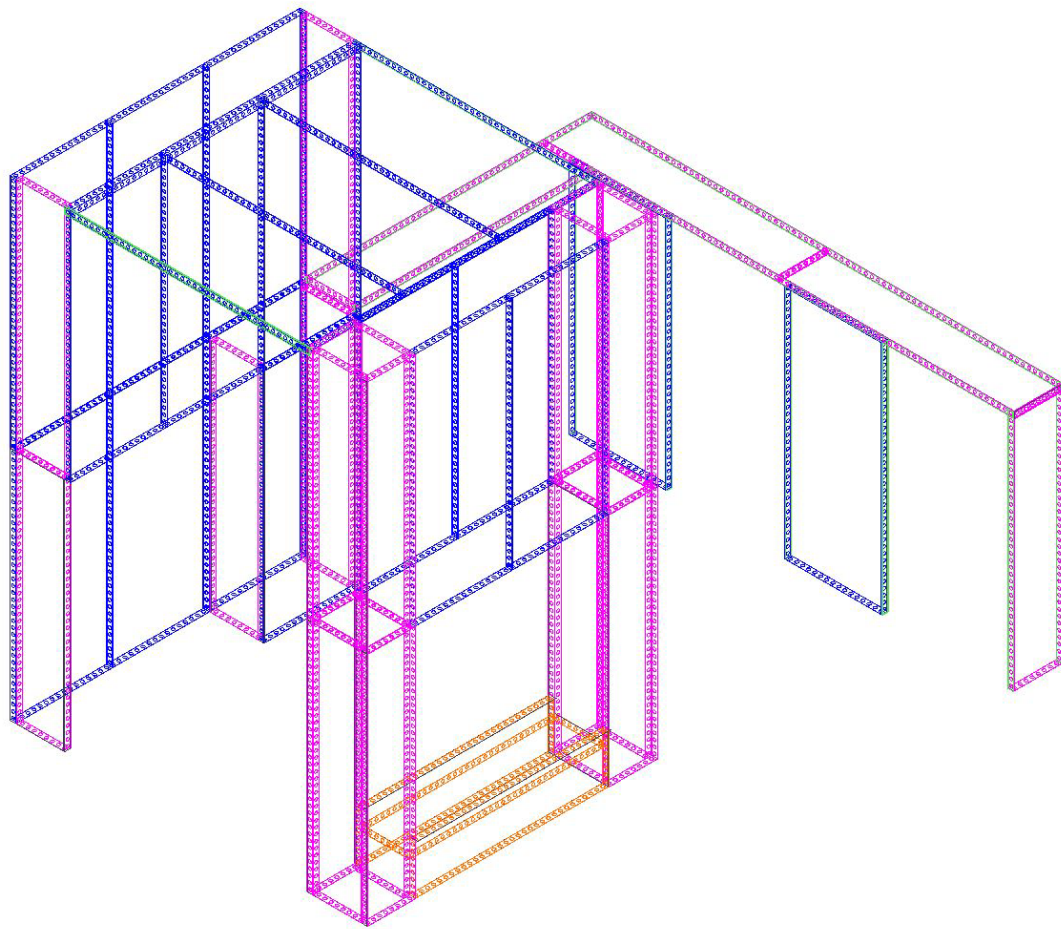
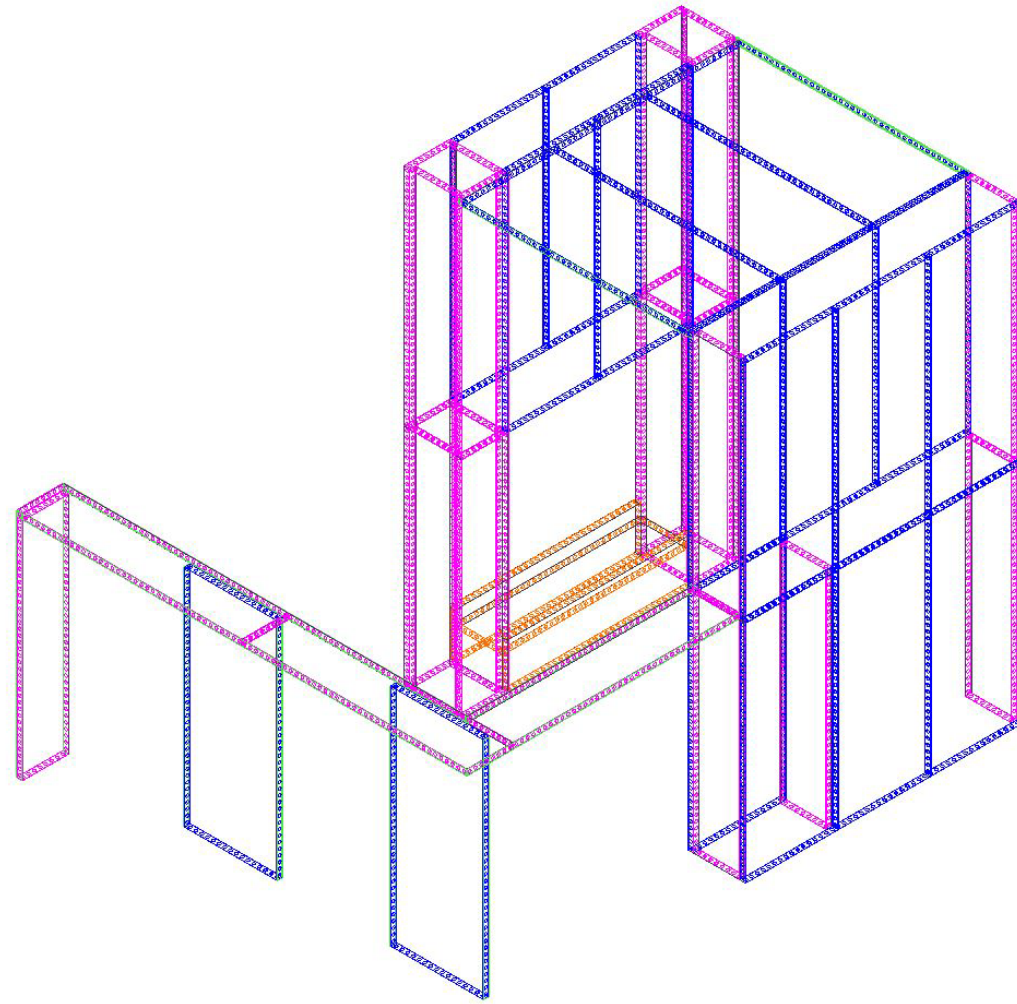


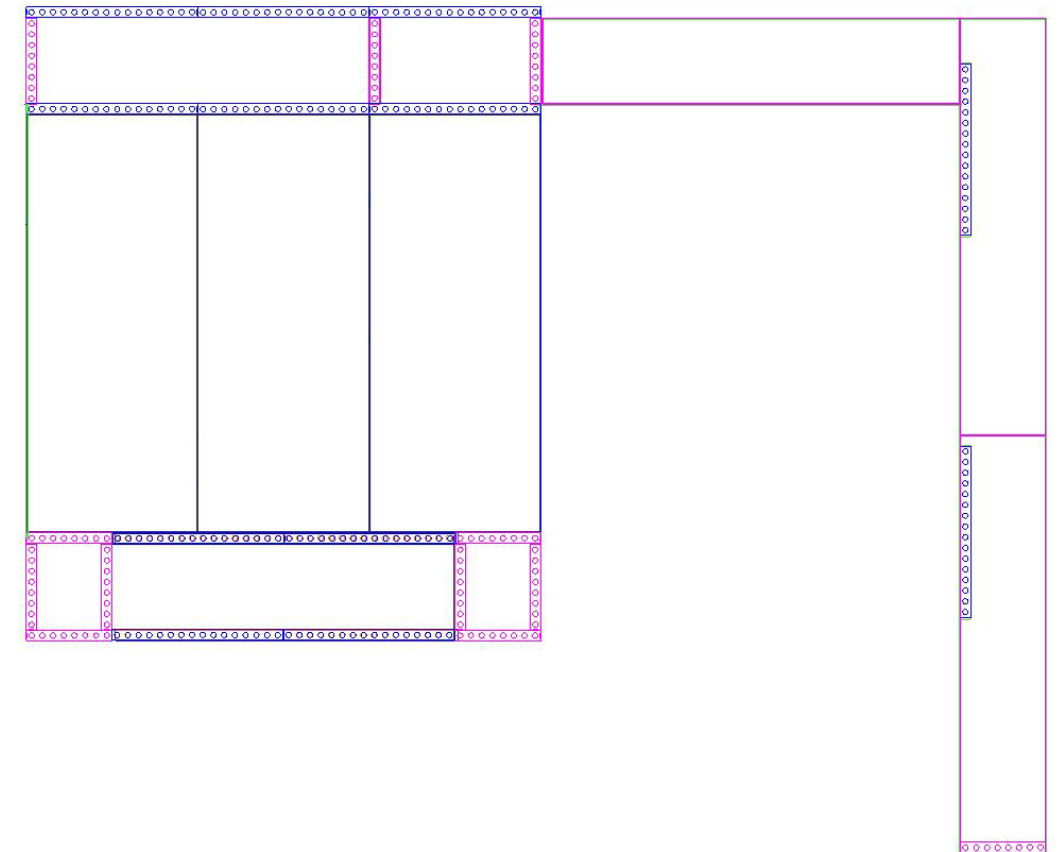
Panel Count (PVC)
 39"x95" - 19
 19.5"x95" - 25
 19.5"x78" - 3
 19.5"x39" - 4
 39"x39" - 2

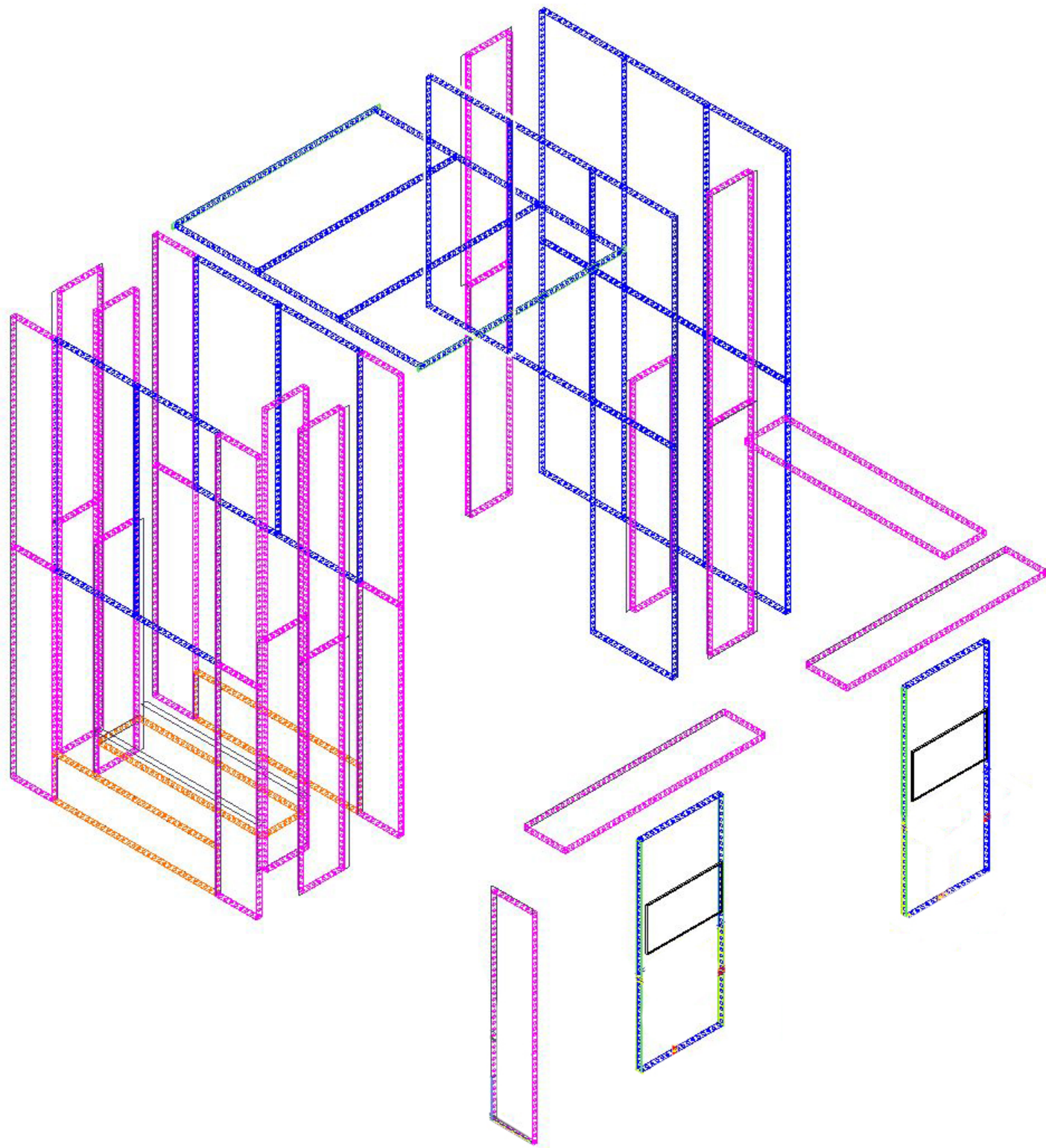
Matrix Panel Color Legend

- 39 x 95 █
- 39 x 78 █
- 39 x 39 █
- 19.5 x 95 █
- 19.5 x 78 █
- 19.5 x 39 █
- 19.5 x 19.5 █
- 39x95 (Door) █
- Custom Panel █ + Size
- R9 █ + Length
- R14 █ + Length
- R4 █ + Length
- R29 █ + Length

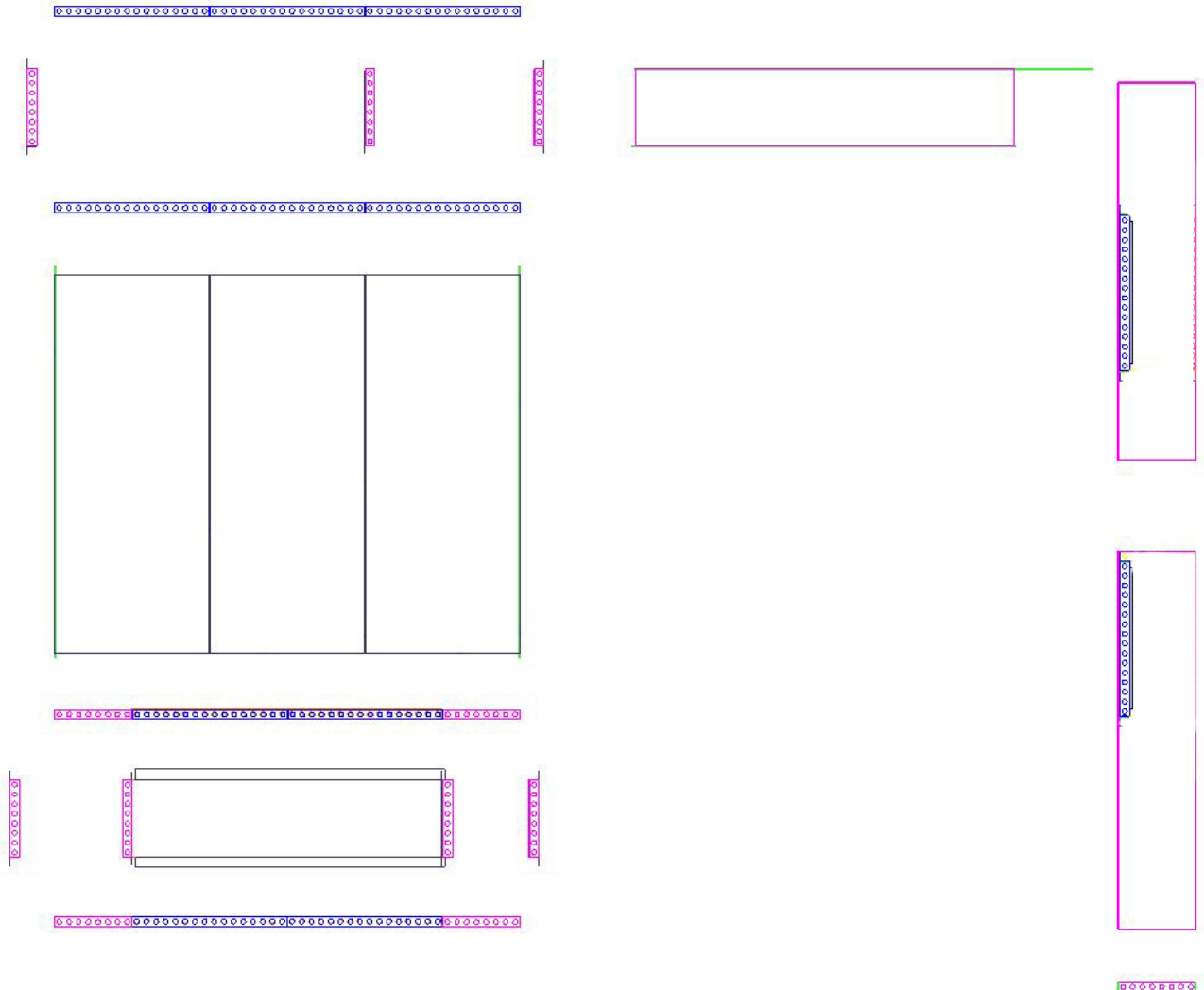


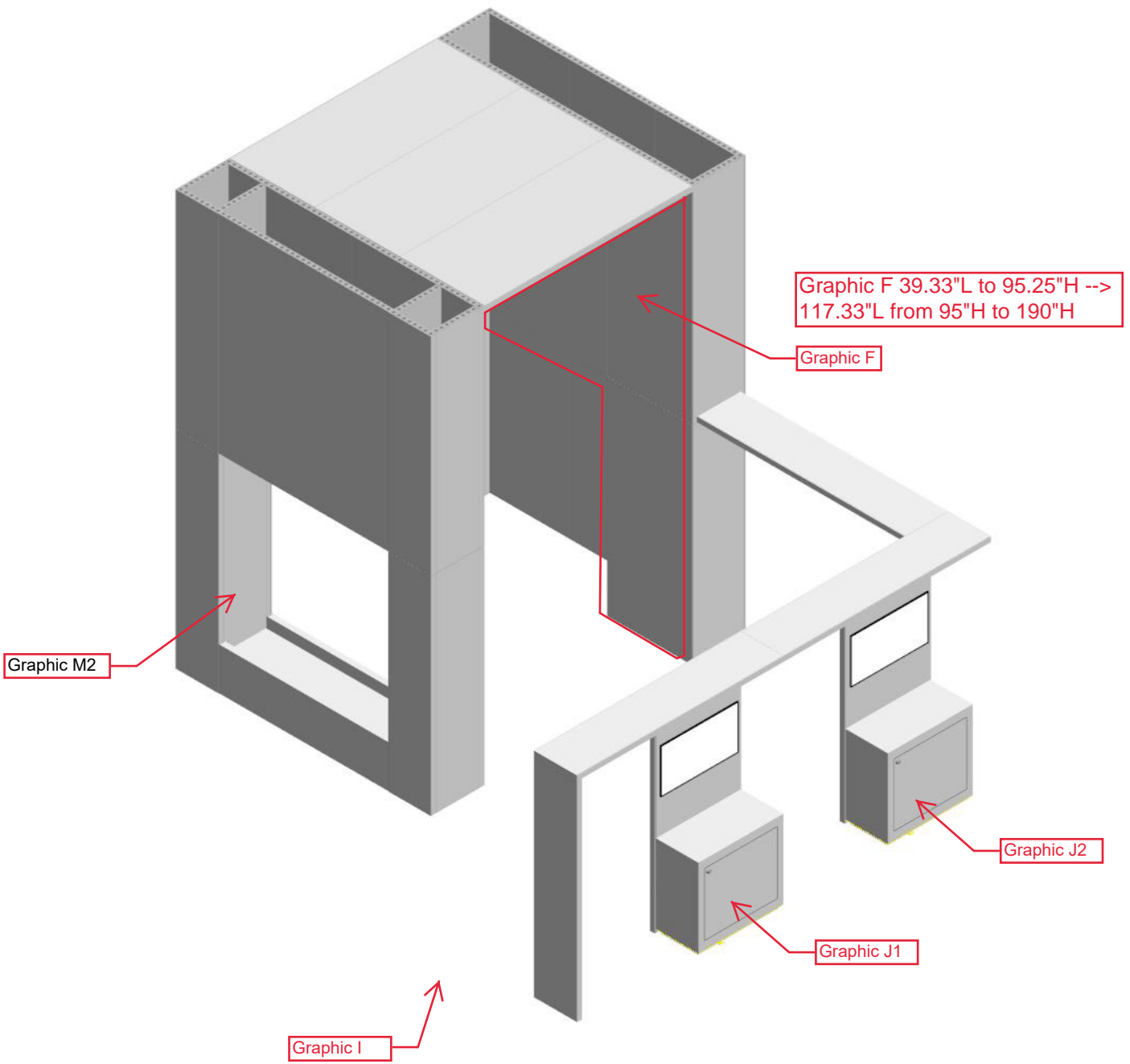
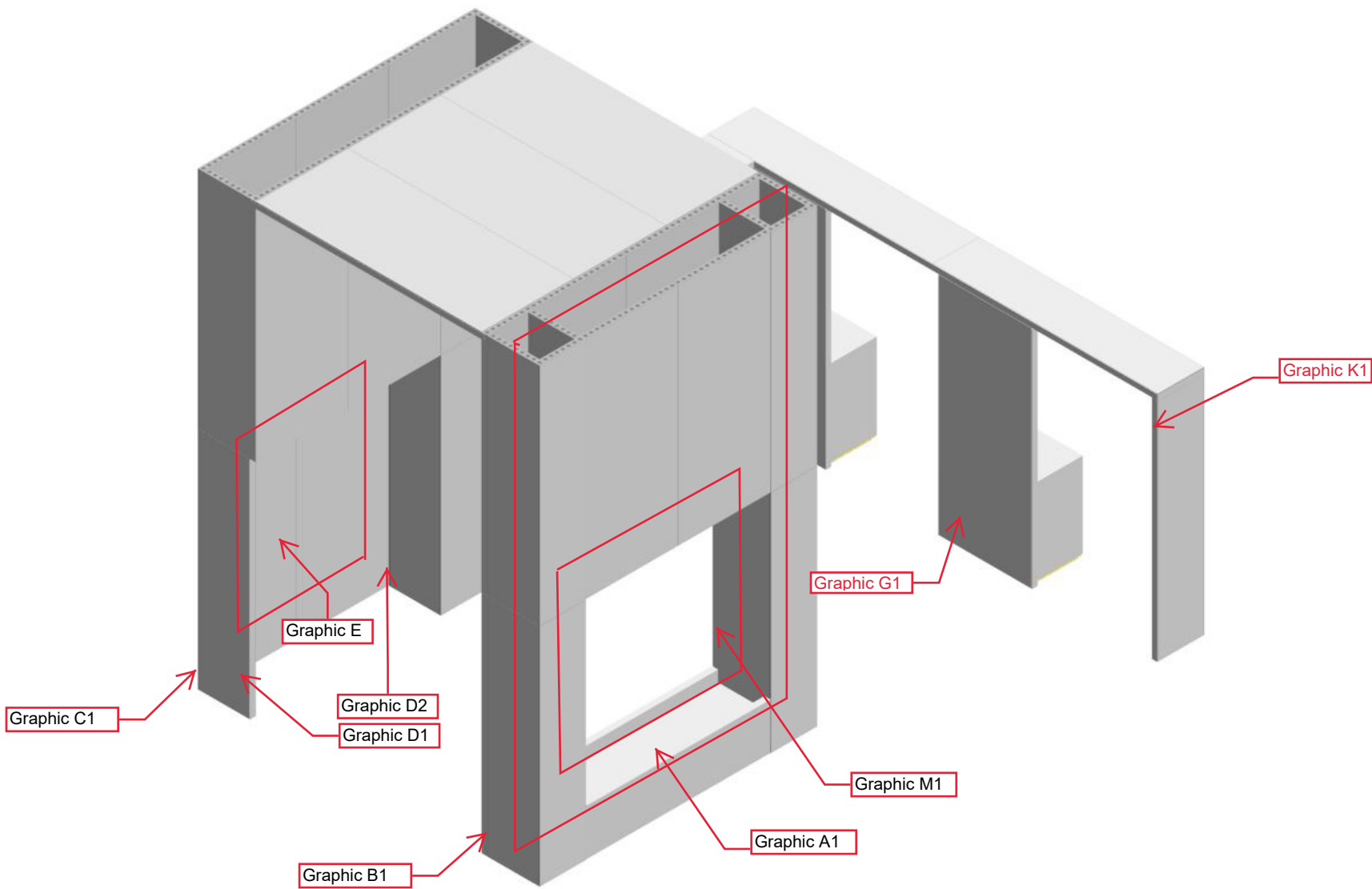
Overhead View





Exploded Overhead View



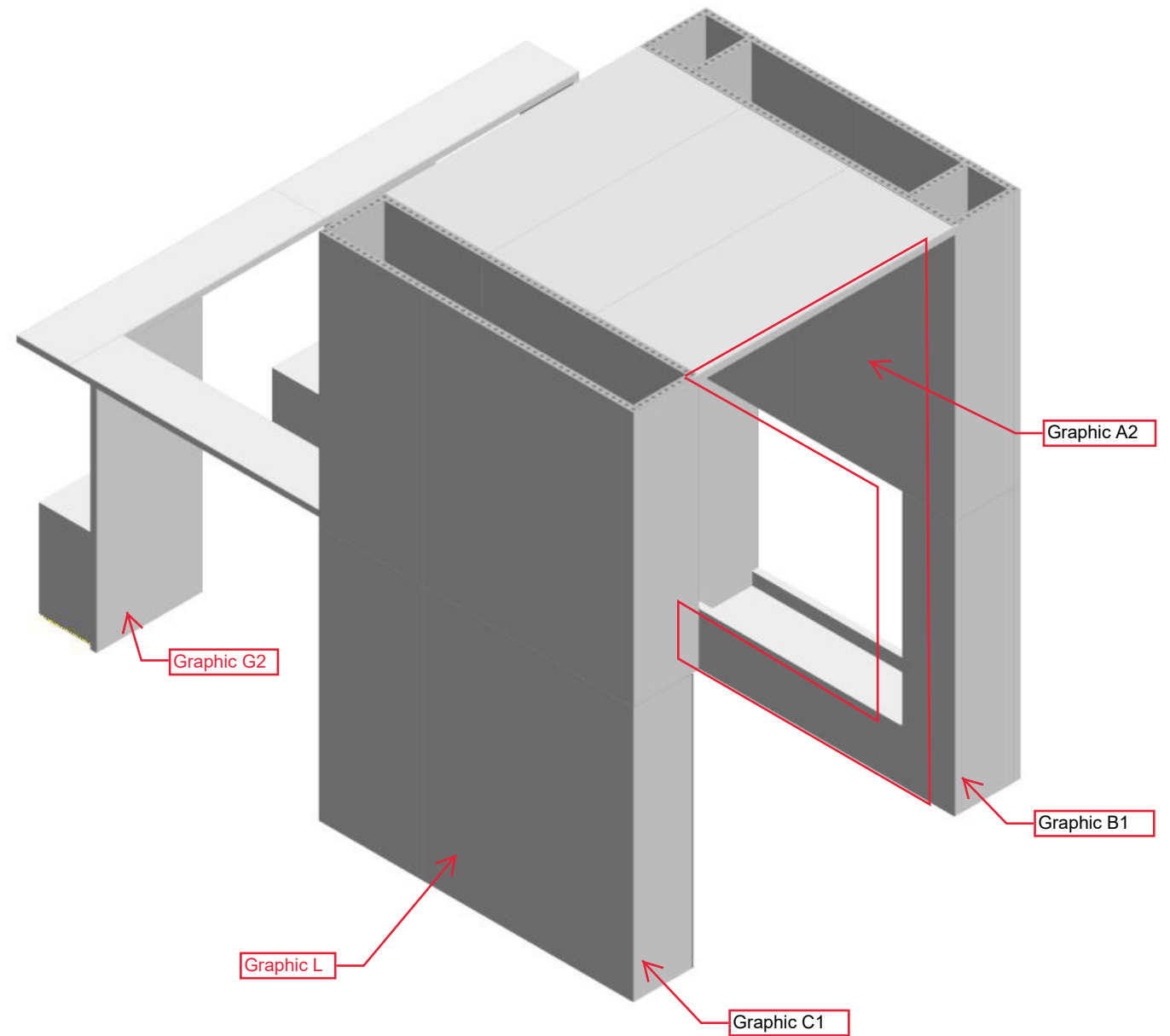
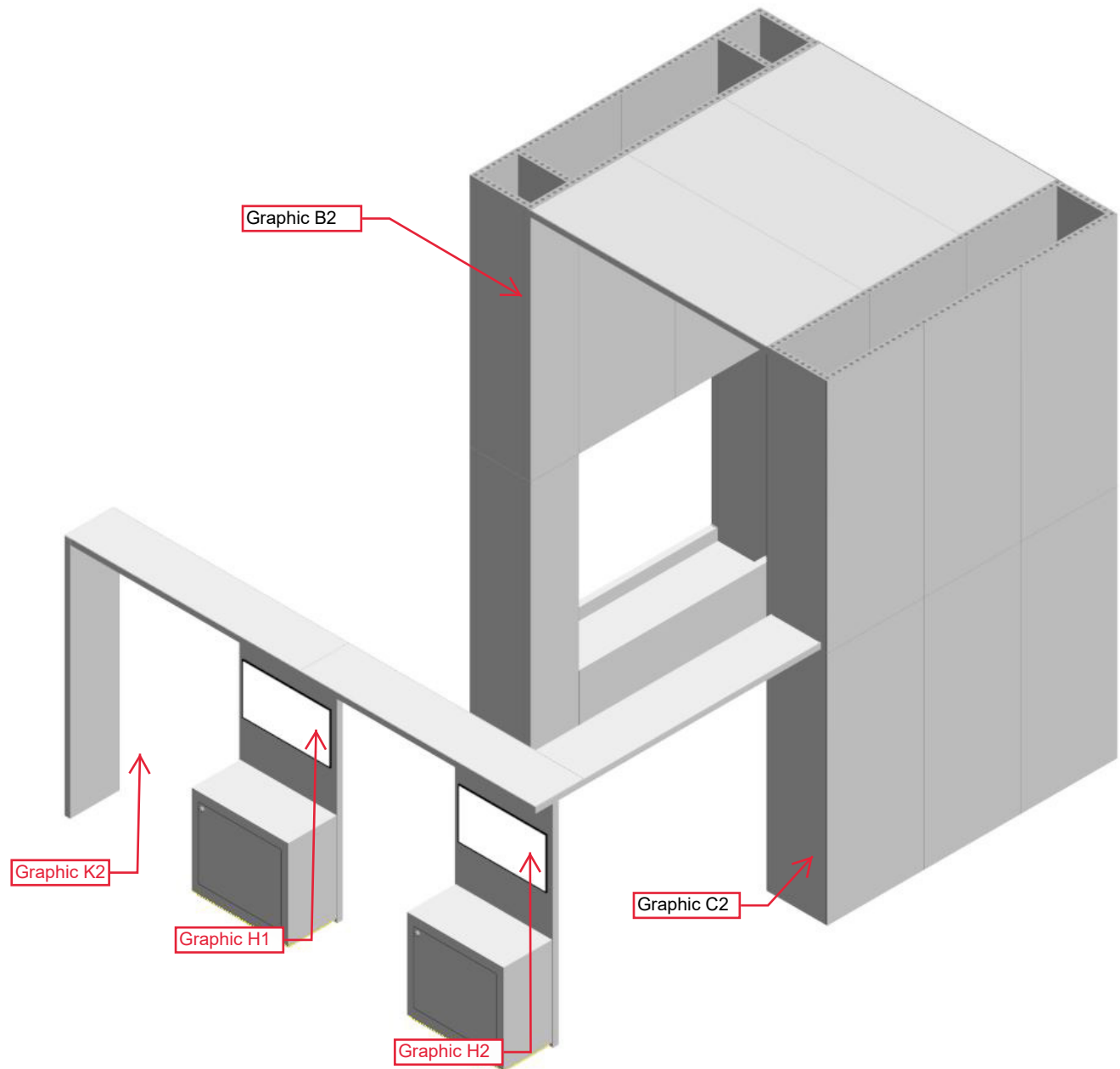


Graphic Key
 Graphic A1/A2: 117.33"L x 190.5"H
 Graphic B1/B2: 19.33"L x 190.5"H
 Graphic C1/C2: 19.33"L x 190.5"H
 Graphic D1/D2: 19.33"L x 95.25"H
 Graphic E: 78.22"L x 95.25"H
 Graphic F: 117.33"L x 190.5"H
 Graphic G1/G2: 39.33"L x 95.25"H
 Graphic H1/H2: 39.33"L x 95.25"H
 Graphic I: 78"L x 36.5"H
 Graphic J1/J2: 39"L x 36.5"H
 Graphic K1/K2: 19.33"L x 95.25"H
 Graphic L: 117.33"L x 190.5"H
 Graphic M1/M2: 19.33"L x 95.25"H

(Graphic A1/A2 to include a 78"L x 75.5"H Open Cut Out @ 19.5"H)

Graphic H1/H2 Viewable Graphic 39"H to 95"H
 (Viewable Graphic Dimensions - 39.33"x 56.25"H)

Graphic M1/M2 Viewable Graphic 19.5"H to 95"H
 (Viewable Graphic Dimensions - 19.33"x 75.5"H)

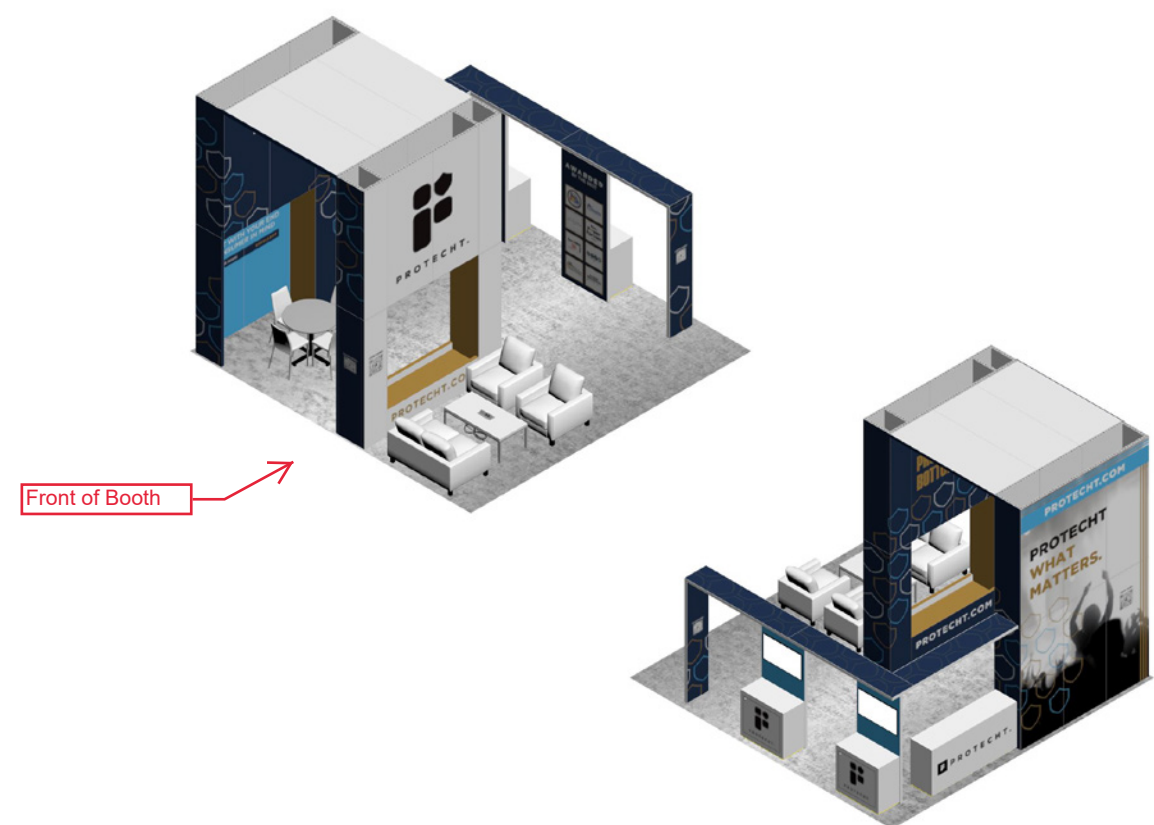
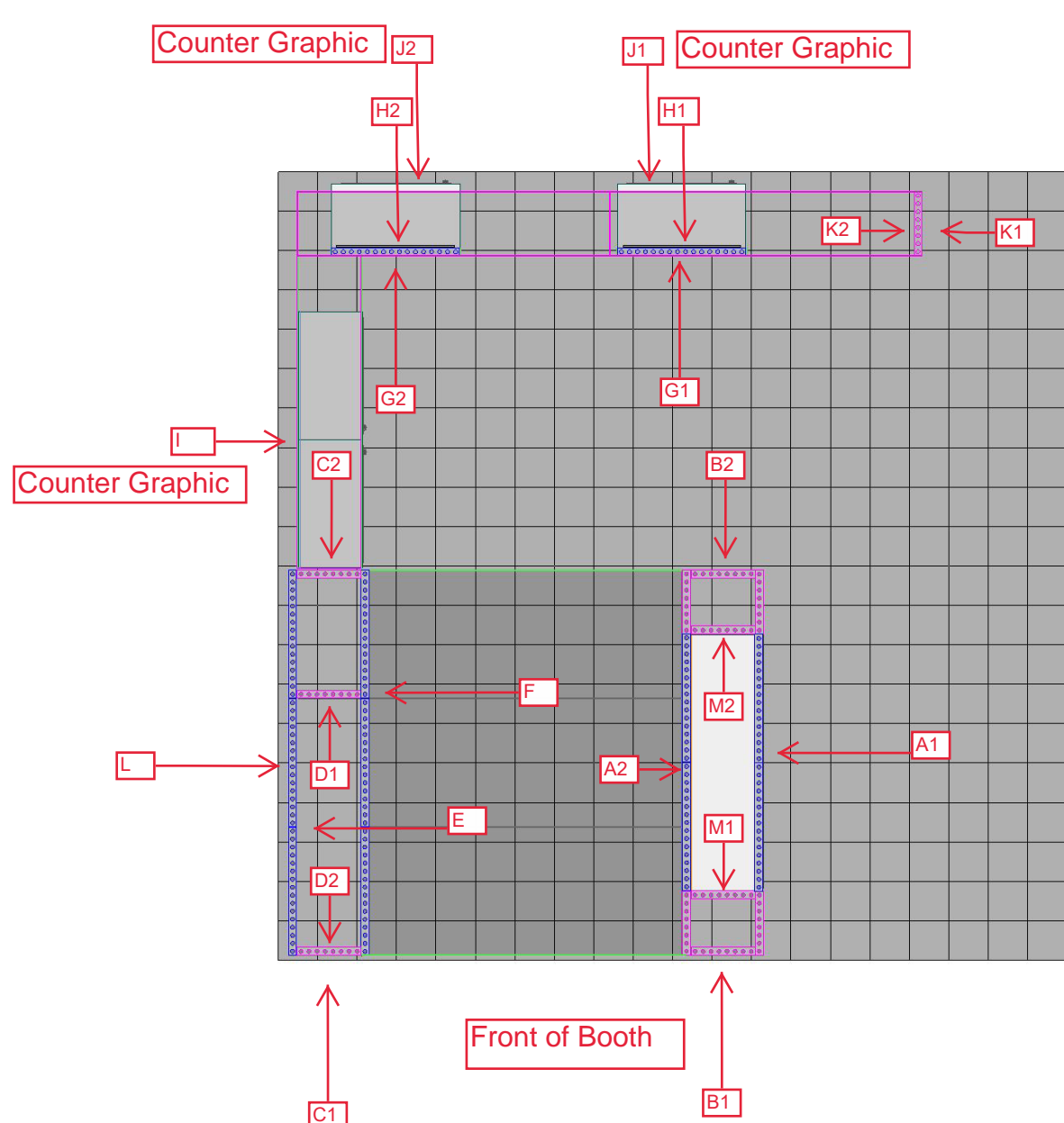


- Graphic Key**
 Graphic A1/A2: 117.33"L x 190.5"H
 Graphic B1/B2: 19.33"L x 190.5"H
 Graphic C1/C2: 19.33"L x 190.5"H
 Graphic D1/D2: 19.33"L x 95.25"H
 Graphic E: 78.22"L x 95.25"H
 Graphic F: 117.33"L x 190.5"H
 Graphic G1/G2: 39.33"L x 95.25"H
 Graphic H1/H2: 39.33"L x 95.25"H
 Graphic I: 78"L x 36.5"H
 Graphic J1/J2: 39"L x 36.5"H
 Graphic K1/K2: 19.33"L x 95.25"H
 Graphic L: 117.33"L x 190.5"H
 Graphic M1/M2: 19.33"L x 95.25"H

(Graphic A1/A2 to include a 78"L x 75.5"H Open Cut Out @ 19.5"H)

Graphic H1/H2 Viewable Graphic 39"H to 95"H
(Viewable Graphic Dimensions - 39.33"x 56.25"H)

Graphic M1/M2 Viewable Graphic 19.5"H to 95"H
(Viewable Graphic Dimensions - 19.33"x 75.5"H)



Graphic Layout - PVC Graphics

