



**WATERBURY**  
BATHROOM ACCESSORIES

~ SINCE 1935 ~



WATERBURY  
20 YEAR  
GUARANTEE

# Quality, innovative designs

## TRADITIONAL VALUES SINCE 1935

Founded by Thomas Armstrong, and still family-run in Birmingham, Waterbury manufactures and supplies beautifully styled bathroom accessories for commercial applications.

Our designs evolve as trends come and go, and our products become more durable as technology advances. But as you might expect from a company that was founded by a master craftsman in 1935, our approach to quality and the way we look after our customers is nothing but traditional.

WATERBURY  
20 YEAR  
GUARANTEE

## GENERATIONS OF NEW IDEAS

Each generation has brought new talent and fresh ways of working to Waterbury - from the early days of mass production to the global sourcing and quality systems that became vitally important as the company began to expand.

Our customers inspire us to be creative and do things differently. Working with Copthorne Hotels, we were among the first to supply bathroom 'pods'. In the 1980s, we started a continuous refurbishment programme for Trust House Forté, one of the largest hotel chains in Europe.

We're continually designing new, stylish ranges. We invest in manufacturing processes that make our products stronger and last for longer.

We are so confident in the durability of our products, that we have extended our warranty, and all our accessories are now backed by our 20 Year Manufacturing Guarantee.

### 1935

Waterbury is founded by Thomas Armstrong, a skilled craftsman of fine brassware. The company starts as it means to go on - focusing on design and using only the best quality materials.



### 1940's

Thomas's son, Philip, introduces batch production, electroplating and fabrication. We can now supply larger quantities of high quality chromium plated accessories to a wider market.

### 1970's

Andy Armstrong helps Waterbury develop new and exclusive designs. This, along with his investment into global sourcing and quality systems, sets us on the path to worldwide manufacture and supply.



### 1980's

John Armstrong brings his considerable sales talent to Waterbury and we fulfil a contract to supply accessories to Birmingham's 150-room Copthorne Hotel. Soon we're asked to supply all of their hotels, at home and abroad.

### 2020's

An era of investing in technology begins. CGI enhances our design process, while a new generation of Armstrongs - Ashlene, John Junior and Richard - take CGI, digital marketing and web development to a new level.



As part of our constant and ongoing improvements in quality processes we hold a ISO 9001: 2015 certification





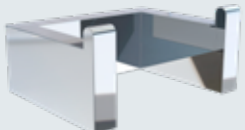
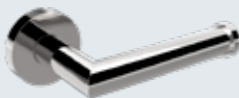
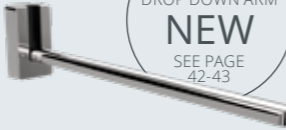

We're constantly updating and improving our ranges, and we use only the best materials. High quality SC2 chromium plate to BS EN ISO 1456:2009 standards gives our products the deepest and most lustrous protective finish.



# 'At-a-glance' designers guide



WE OFFER MANY ALTERNATIVE FINISHES AND COLOUR MATCHING - SEE PAGE 6-7.

<p>MADE TO ORDER</p>	<p>FAST FIT ISAMAR</p>	<p>FAST FIT PRESTO</p>	<p>PREMIUM HEATED TOWEL RAILS</p>
 <p>We can tailor accessories to your specification or create a unique new range for you. Choose from a wide variety of styles, sizes, colours and finishes.</p> <p>6 - 7</p>	 <p>Minimalist styling installed in less than half the time of a standard range.</p> <p>8 - 11</p>	 <p>A Premium Range design. Faster installation and fewer fixings with no compromise on quality or style.</p> <p>12 - 15</p>	 <p>Available in a range of sizes, specifications and outputs to suit all spaces. PVD and powder coated finishes available.</p> <p>16 - 19</p>
<p>QUADRA</p>	<p>SCIENCE</p>	<p>PROJECT</p>	<p>VODA</p>
 <p>Square edges and clean, angular lines in mirror-finished stainless steel.</p> <p>30 - 33</p>	 <p>Sleek lines and chrome-plated durability. A wonderfully contemporary range.</p> <p>34 - 37</p>	 <p>DETACHABLE DROP DOWN ARM <b>NEW</b> SEE PAGE 42-43</p> <p>Clean lines and modern styling. A versatile range that suits most styles of bathroom. Discover a new detachable DDA.</p> <p>38 - 43</p>	 <p>Contemporary styling and outstanding strength. Adds flair to accessories for the less able.</p> <p>44 - 47</p>



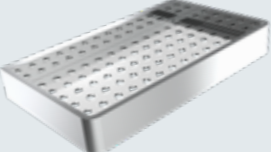





## BATHROOM ACCESSORIES MADE TO LAST

Waterbury accessories are made using the highest quality raw materials and backed by our 20 Year Manufacturing Guarantee. Many items are held in stock for fast delivery and our

support team can give you lots of advice about dimensions, designs and availability. **If you have any questions, we can help. Call us on +44 (0) 121 333 6062.**



PLEASE GO TO PAGES 68 - 69 FOR AN INDEX OF PRODUCTS FEATURED IN THIS BROCHURE.

<p>VANITY MIRRORS</p>	<p>SHAVING MIRRORS</p>	<p>ATLANTIS</p>	<p>GLASS MOUNTING</p>
 <p>Mirrors made to suit your space. Choose your shape, colour and finish.</p> <p>20 - 21</p>	 <p>Round or square with a choice of five finishes and 3x magnification. A strong brass and die construction.</p> <p>22 - 23</p>	 <p>Subtle curves meet straight lines, Atlantis is inspired by a bespoke design for the Royal Atlantis Hotel in Dubai.</p> <p>24 - 28</p>	 <p>A versatile and space-saving solution. Selected products in our ranges can be fixed to glass or other materials.</p> <p>29</p>
<p>HOTEL</p>	<p>PROTEUS</p>	<p>ESSENTIAL</p>	<p>UNIVERSAL</p>
 <p>A pure classic. Strong and durable with space-saving accessories. Our largest range with a varied selection of products..</p> <p>48 - 57</p>	 <p>Award-winning products with outstanding strength. Well established and stylish solutions for the less able.</p> <p>58 - 59</p>	 <p>A clean modern design. Great value and an economical choice if budgets are tight.</p> <p>60 - 63</p>	 <p>Practical, functional accessories. Choose the full range or mix and match with other designs.</p> <p>64 - 67</p>

# An individual approach

## ACCESSORIES TAILORED TO YOUR DESIGN

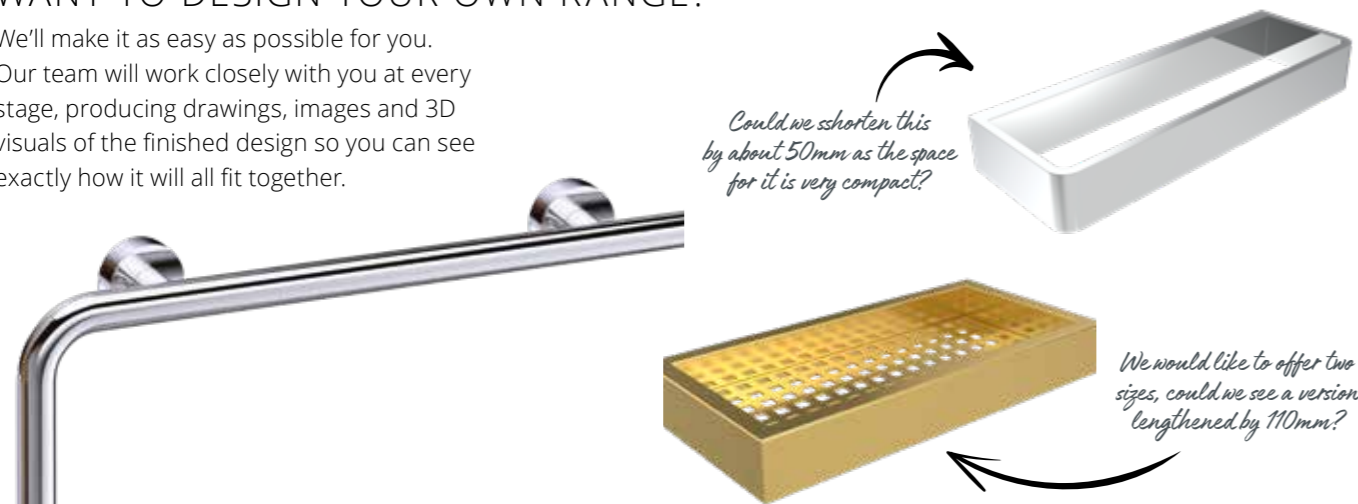
Each project is different and while we offer a wide variety of designs and styles, you might be looking for something a little more individual.

We have a team dedicated to designing and developing bespoke accessories for unique applications. We can change product dimensions and adapt shapes, add colours and PVD, powder-coated or plated finishes. Just about anything is possible.



## WANT TO DESIGN YOUR OWN RANGE?

We'll make it as easy as possible for you. Our team will work closely with you at every stage, producing drawings, images and 3D visuals of the finished design so you can see exactly how it will all fit together.



\*SHAPE VARIATIONS MAY ONLY BE POSSIBLE ON SELECTED PRODUCTS

TO DISCUSS THE ALTERNATIVE POSSIBILITIES FOR YOUR NEXT PROJECT, PLEASE CALL OUR TECHNICAL SUPPORT TEAM ON **0121 333 6062**

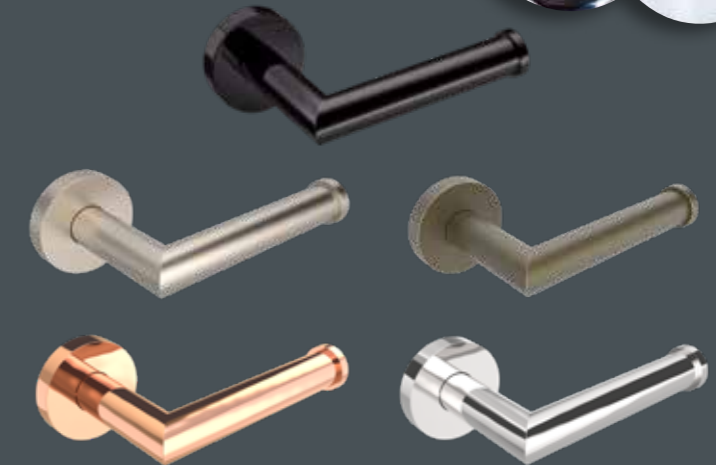
## ALTERNATIVE FINISHES

If you want a look that's as individual as your customers, our bespoke service gives you unique, made-to-measure fittings – in the style, colour and finish that you choose. We offer a wide range of high quality alternative finishes, and can manufacture products to meet your requirements.



WE CAN MATCH TO MANY ALTERNATIVE FINISHES INCLUDING:

- BRASS
- COPPER
- POLISHED NICKEL
- SATIN NICKEL
- ANTIQUE BRASS
- ANTIQUE COPPER
- BLACK



## COLOUR MATCHING

### PVD

The most durable finish you can apply. Products with a PVD finish won't corrode, discolour or tarnish. Ever.

### RAL

With our bespoke epoxy powder coating, we can match products to most colours on the RAL chart.



# Isamar

## SLEEK AND SIMPLE

Delightfully minimalist, Isamar makes a statement. It's sleek, simple, and adds style to any bathroom. One of our Fast Fit ranges, Isamar can be fitted in less than half the time of a standard range and uses fewer fixings without the need for grub screws. It's a cost-effective option for commercial applications.



WE OFFER MANY ALTERNATIVE FINISHES AND COLOUR MATCHING - SEE PAGE 6-7.



PRODUCT	PG
Shelves	9
Towel ring	9
Robe hooks	9
Toilet roll holders	9 - 10
Towel rails	11

WATERBURY  
20 YEAR  
GUARANTEE

ALTERNATIVE FINISHES & COLOURS  
AVAILABLE ON ALL PRODUCTS

NEW



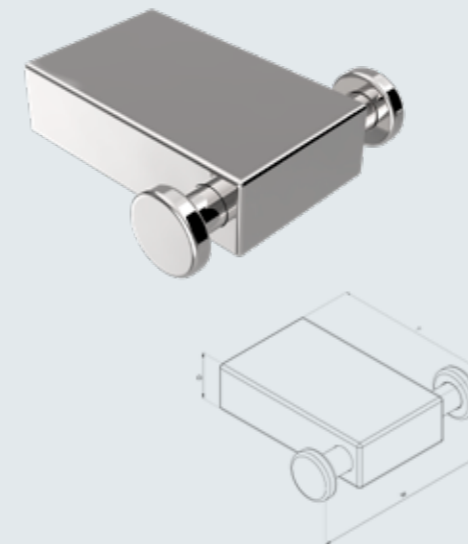
**TOWEL RING**  
IS08 - W - 165 D - 164 P - 58

NEW



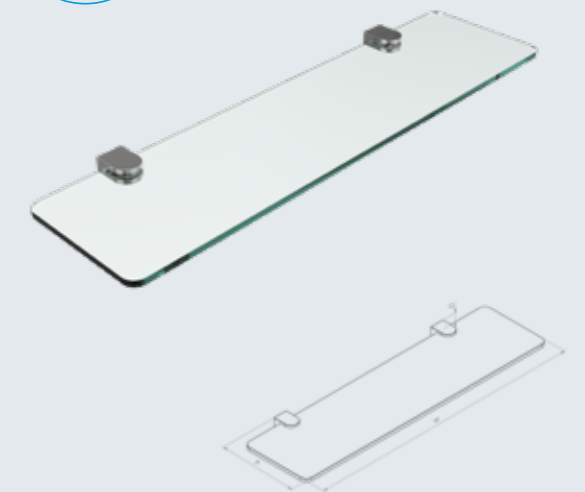
**SPARE TOILET ROLL HOLDER**  
IS21 - W - 26 D - 167 P - 85

NEW



**DOUBLE ROBE HOOK**  
IS05 - W - 63 D - 16 P - 58

NEW



**GLASS SHELF**  
IS09 - W - 500 D - 17 P - 142

NEW

**DOUBLE TOILET ROLL HOLDER**  
 IS16 - W - 281 D - 26 P - 85

NEW

**TOILET ROLL HOLDER**  
 IS04 - W - 167 D - 26 P - 85

TOWEL RAILS

NEW

THREE LENGTHS AVAILABLE

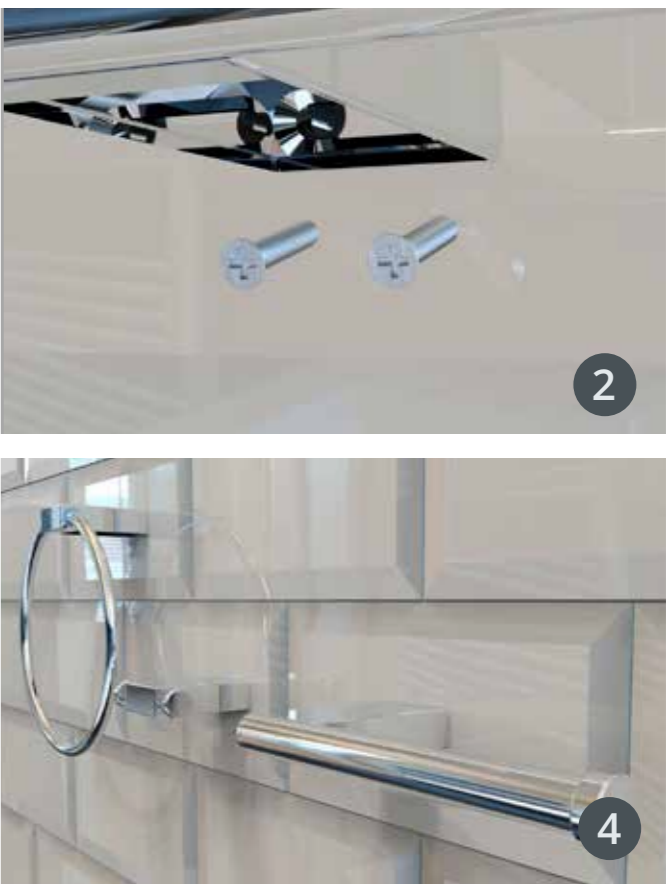
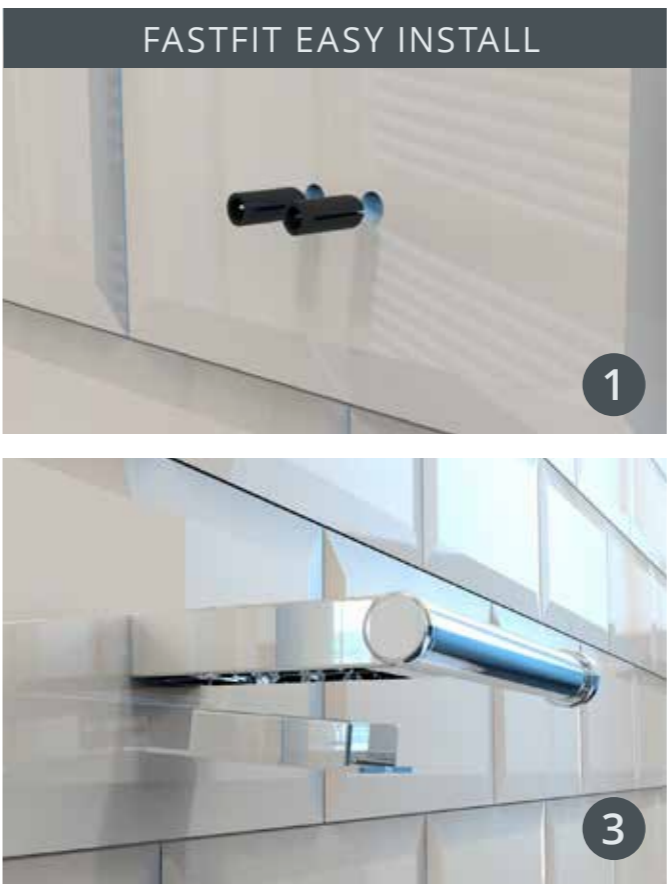
IS03 - W - 458 D - 16 P - 80  
 IS06 - W - 608 D - 16 P - 80  
 IS07 - W - 358 D - 16 P - 80  
 IS10 - W - 308 D - 16 P - 80

NEW

**SWING TOILET ROLL HOLDER**  
 IS11 - W - 154 D - 85 P - 58

NEW

**SWING TOILET ROLL HOLDER WITH COVER**  
 IS20 - W - 145 D - 120 P - 58



# Presto

## MIRROR-FINISHED QUALITY

A new, exclusive premium range and one of our Fast Fit designs. Stylish with curved edges and clean lines, Presto uses fewer fixings without the need for grub screws, so it can be installed in less than half the time of a standard range.



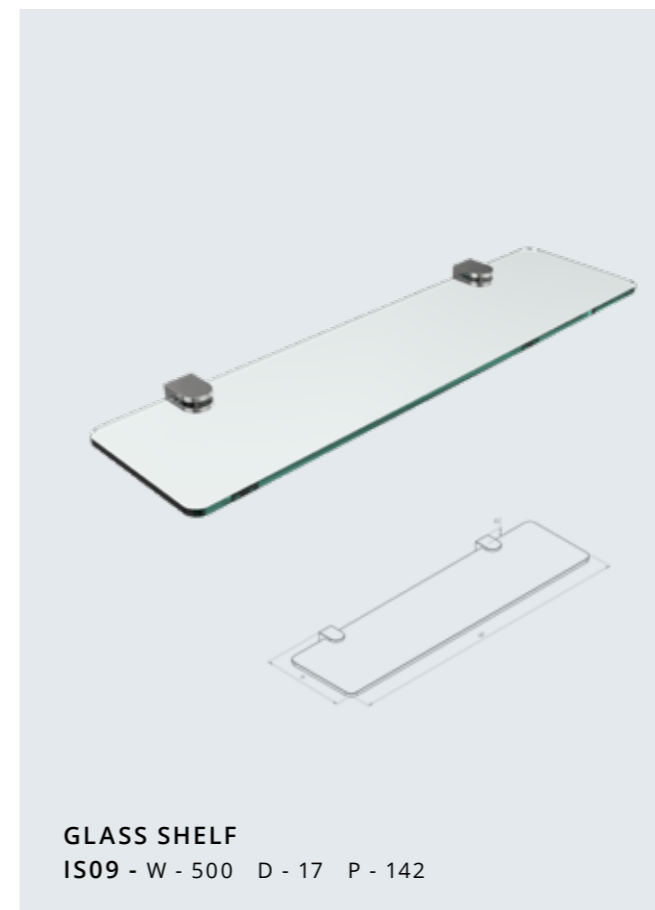
WE OFFER MANY ALTERNATIVE FINISHES AND COLOUR MATCHING - SEE PAGE 6-7.

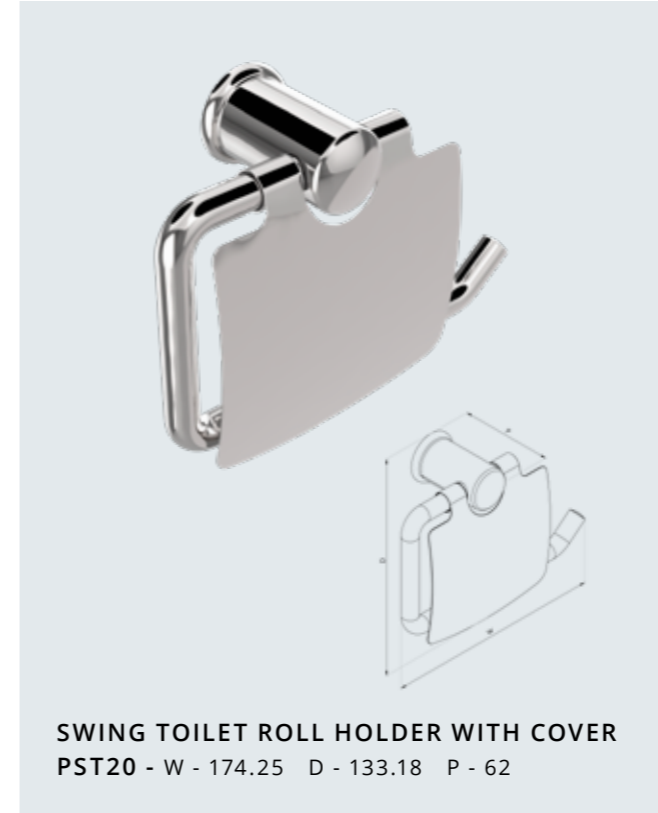


PRODUCT	PG
Grab rail	13
Towel rails and towel ring	13
Shelves	13
Robe hooks	14
Toilet roll holders	14 - 15

WATERBURY  
20 YEAR  
GUARANTEE

ALTERNATIVE FINISHES & COLOURS  
AVAILABLE ON ALL PRODUCTS







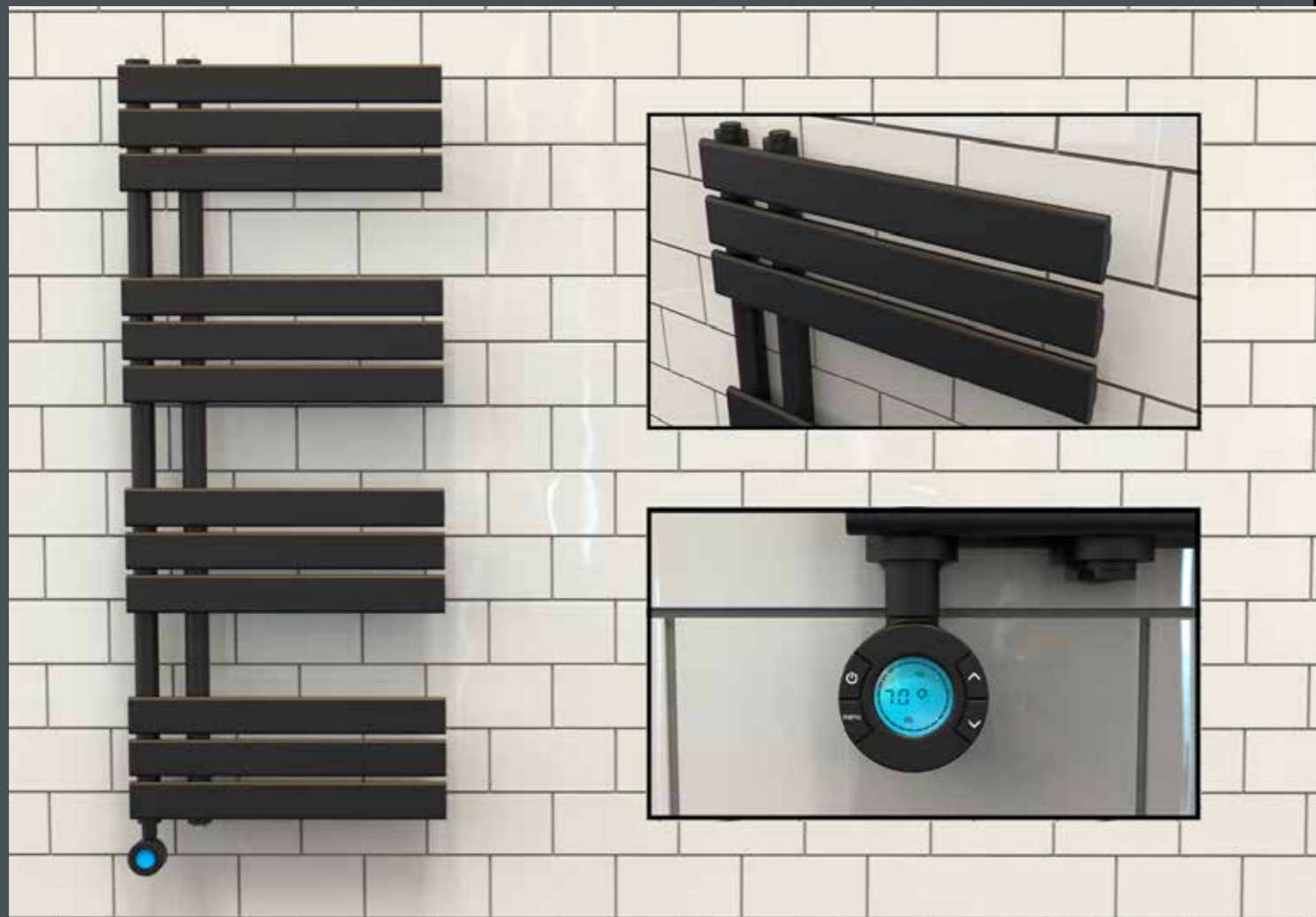
# Premium Heated Towel Rails

## A RANGE OF OPTIONS

Available in multiple sizes, specifications and heat outputs to suit all spaces. Our new range includes thermostatic and low surface temperature (LST) options for safety and comfort. We can add a PVD or powder coated finish in a colour of your choice to certain models. Enquire with our sales team for more information.



WE OFFER MANY ALTERNATIVE FINISHES AND COLOUR MATCHING - SEE PAGE 6-7.



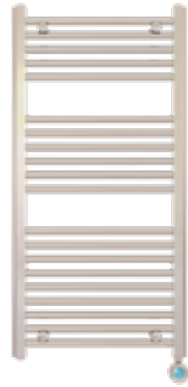
WATERBURY  
20 YEAR  
GUARANTEE

PRODUCT	PG
Heated towel rails	18-19
Optional extra's	19



OTHER SIZES AND OPTIONS ARE AVAILABLE

SEE PG6-7



HEATED TOWEL RAIL  
HTR01S - W - 500 H - 1000 P - 96



HEATED TOWEL RAIL  
HTR02S - W - 540 H - 960 P - 106



HEATED TOWEL RAIL  
HTR03S - W - 500 H - 1200 P - 93



HEATED TOWEL RAIL  
HTR04S - W - 400 H - 700 P - 96



OTHER SIZES AND OPTIONS ARE AVAILABLE

SEE PG6-7



HEATED TOWEL RAIL  
HTR06C - W - 400 H - 700 P - 96



HEATED TOWEL RAIL  
HTR08C - W - 500 D - 1100 P - 96



HEATED TOWEL RAIL  
HTR07S - W - 500 H - 1100 P - 96



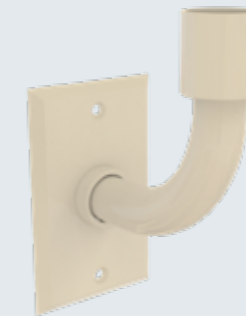
CODE: HTR-CS1

COMPLETE THE LOOK WITH CABLE SHROUDS

Disguise cabling with carefully designed cable shrouds, available in the finishes below:



CHROME  
POLISHED



WHITE  
GLOSS



MATT  
BLACK



NICKEL  
SATIN

# Vanity Mirrors

## WITH ADDED FUNCTIONALITY

A range of LED mirrors to suit your interior design. Our smart mirrors have time, date and weather displays – some have built in shaving mirrors and bluetooth speakers. Rectangular or circular – choose your colour and finish.



WE OFFER MANY ALTERNATIVE FINISHES AND COLOUR MATCHING - SEE PAGE 6-7.



PRODUCT	PG
Mirrors	21
Digital mirror	21

WATERBURY  
20 YEAR  
GUARANTEE

OTHER SIZES AND OPTIONS ARE AVAILABLE

SEE PG6-7



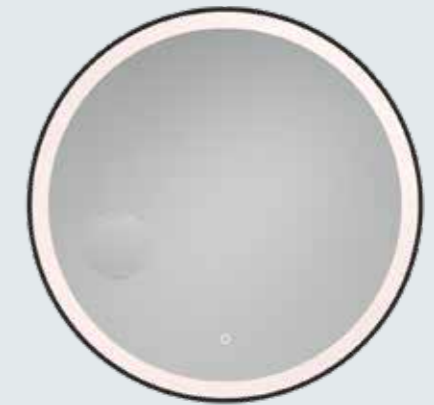
### FEATURES & OPTIONS :

- 5mm Copper Free Mirror
- Time & Temperature Display
- Bluetooth Connectivity
- De-mister
- Inset Magnifying Mirror
- Dimming / Brightness Option
- 3 Colour Temperature Adjustable
- Single Touch Switch



**LARGE RECTANGULAR MIRROR**  
MR02BT - W - 800 D - 600 P - 40

OPTIONAL  
Bluetooth



### FEATURES & OPTIONS :

- 5mm Copper Free Mirror
- Single Touch Switch
- Inset Magnifying Mirror
- 3000k Warm LED Light
- Stainless Steel Frame (Black or Polished Steel)



**LARGE ROUND MIRROR**  
MR03-B - W - 800 P - 32.50



### FEATURES & OPTIONS :

- 5mm Copper Free Mirror
- Bluetooth Connectivity
- De-mister
- Inset Magnifying Mirror
- Dimming / Brightness option
- 3 Colour Temperature Adjustable
- Single Touch Switch
- Built-in Speakers



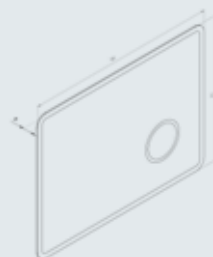
**LARGE ROUND MIRROR**  
MR05BT - W - 800 P - 40

OPTIONAL  
Bluetooth



### FEATURES & OPTIONS :

- 5mm Copper Free Mirror
- Bluetooth Connectivity
- De-mister
- Inset Magnifying Mirror
- 3 Colour Temperature Adjustable
- Single Touch Switch
- Built-in Speakers



**LARGE RECTANGULAR MIRROR**  
MR04BT - W - 800 D - 600 P - 35

OPTIONAL  
Bluetooth

# Shaving Mirrors

## STYLISH AND CONVENIENT

Our range of LED shaving mirrors is now even bigger. Round and square adjustable mirrors offer 3x magnification and the strong Chromium-plated brass and die cast construction can be supplied in a choice of finishes to suit any bathroom.



WE OFFER MANY ALTERNATIVE FINISHES AND COLOUR MATCHING - SEE PAGE 6-7.



PRODUCT	PG
LED adjustable mirrors	23
Adjustable mirrors	23

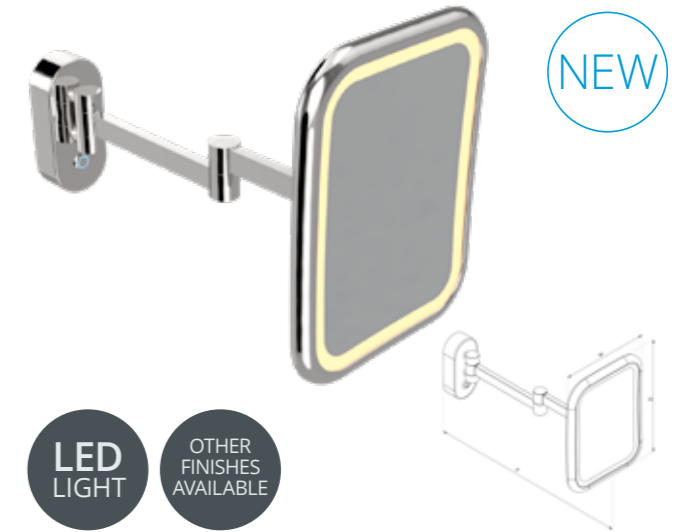
WATERBURY  
20 YEAR  
GUARANTEE



NEW

LED LIGHT  
OTHER FINISHES AVAILABLE

LED ROUND FRAMELESS SHAVING MIRROR  
MR06 - W - 250 D - 250 P - 385



NEW

LED LIGHT  
OTHER FINISHES AVAILABLE

LED RECTANGULAR SHAVING MIRROR  
MR07 - W - 190 D - 250 P - 405



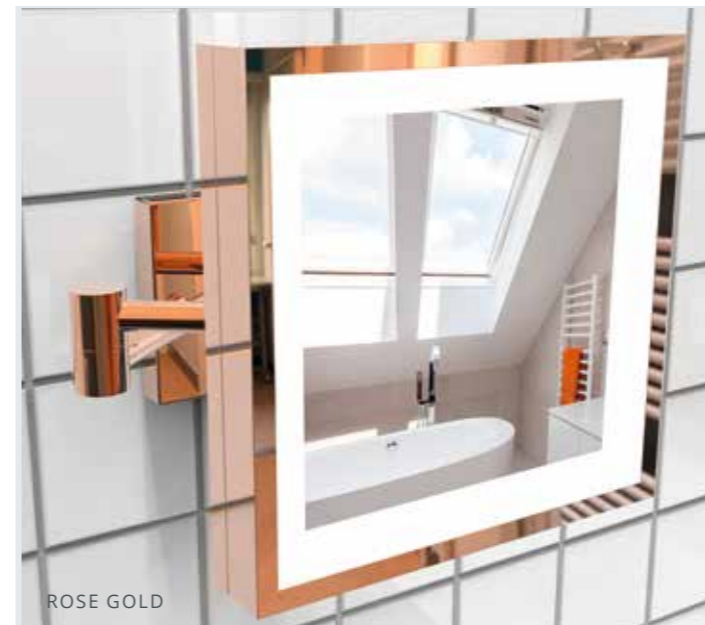
LED LIGHT  
OTHER FINISHES AVAILABLE

LED ADJUSTABLE ROUND SHAVING MIRROR  
NH47L - X3 MAGNIFICATION  
W - 204 D - 204 P - 390

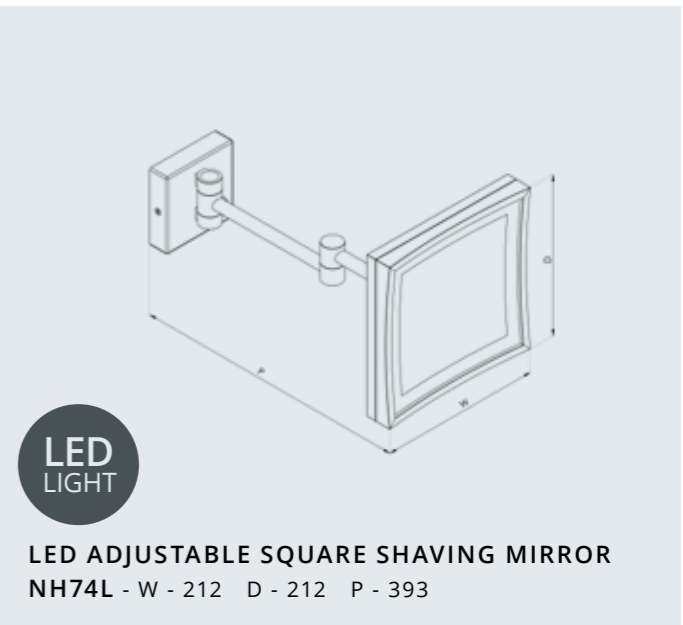


OTHER FINISHES AVAILABLE

ADJUSTABLE ROUND SHAVING MIRROR  
NON-ILLUMINATED  
NH47 - X3 MAGNIFICATION  
W - 245 D - 245 P - 365



ROSE GOLD



LED LIGHT

LED ADJUSTABLE SQUARE SHAVING MIRROR  
NH74L - W - 212 D - 212 P - 393

# Atlantis



## INSPIRED BY DUBAI

Subtle curves meet straight lines in this beautiful range of bathroom accessories. Inspired by a bespoke design for the Royal Atlantis Hotel in Dubai and finished in brilliant mirror-polished stainless steel, Atlantis makes a high-end statement.

For extra versatility, Atlantis products can be fixed to glass or acrylic.



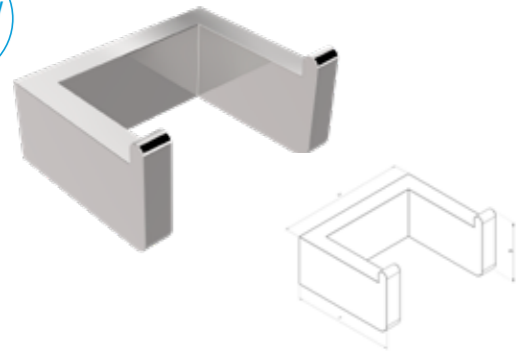
WE OFFER MANY ALTERNATIVE FINISHES AND COLOUR MATCHING - SEE PAGE 6-7.



WATERBURY  
20 YEAR  
GUARANTEE

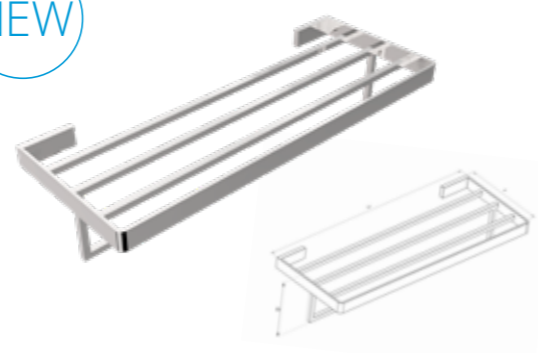
PRODUCT	PG
Shelves	26
Towel rails	27 - 28
Towel bar	27
Robe hooks	26, 28
Toilet roll holders	27 - 28
Baskets	26

NEW



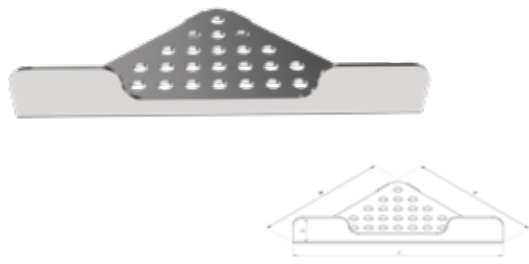
**DOUBLE ROBE HOOK**  
 ATL11 - W - 80 D - 38 P - 64

NEW



**TOWEL RACK**  
 ATL12 - W - 600 D - 123 P - 230

TWO SIZES  
 NEW

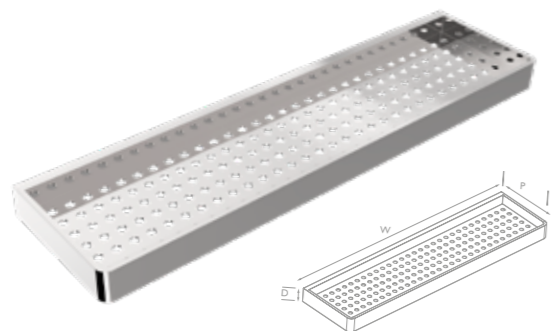


**CORNER SOAP BASKET**  
 ATL50 - W - 138 D - 34 P - 138  
 ATL51 - W - 186 D - 55 P - 186

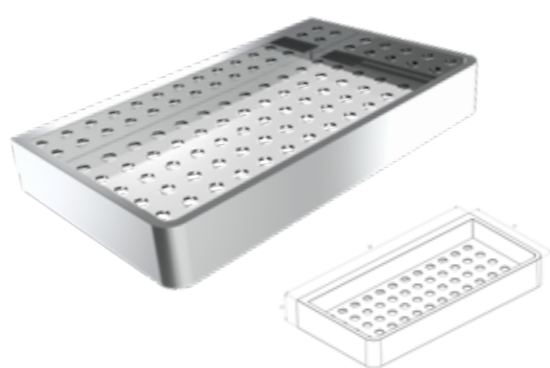
TWO SIZES  
 NEW



**RECTANGULAR SHELF**  
 ATL52 - W - 150 D - 45 P - 105  
 ATL53 - W - 220 D - 45 P - 105

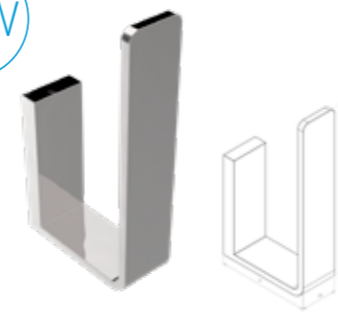


**SHOWER SHELF**  
 ATL02 - W - 500 D - 30 P - 130



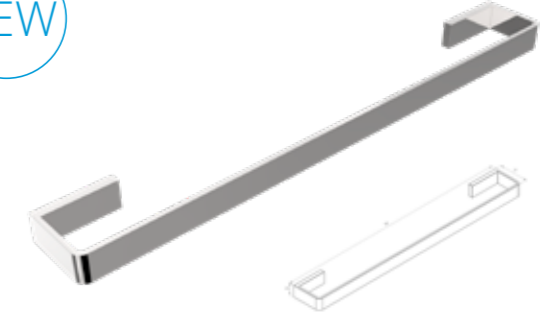
**SHOWER SHELF**  
 ATL03 - W - 220 D - 30 P - 105

NEW



**SPARE TOILET ROLL HOLDER**  
 ATL21 - W - 30 D - 142 P - 75

NEW



**TOWEL RAIL**  
 ATL23 - W - 600 D - 30 P - 75

NEW



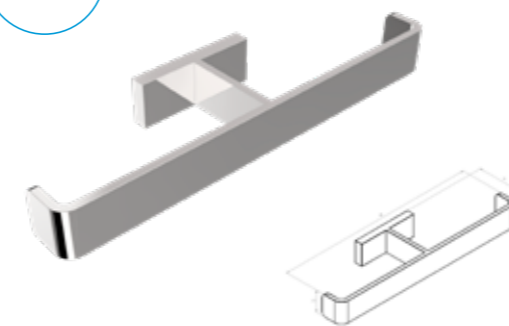
**DOUBLE TRH WITH SHELF**  
 ATL25 - W - 300 D - 109 P - 96

NEW

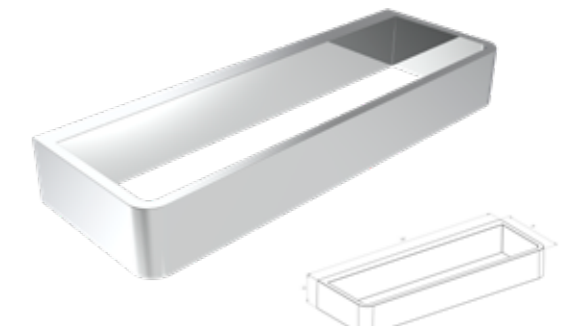


**SINGLE TOILET ROLL HOLDER WITH COVER**  
 ATL35 - W - 140 D - 24 P - 131

NEW



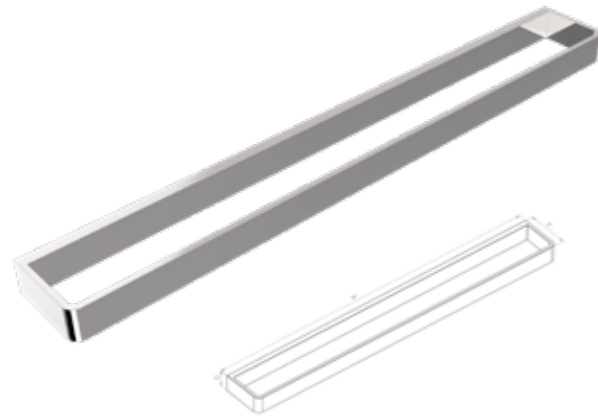
**DOUBLE TOILET ROLL HOLDER**  
 ATL30 - W - 274 D - 30 P - 75



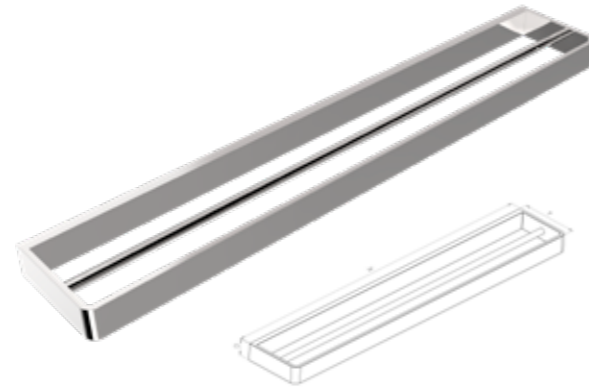
**TOWEL BAR**  
 ATL08 - W - 220 D - 30 P - 75



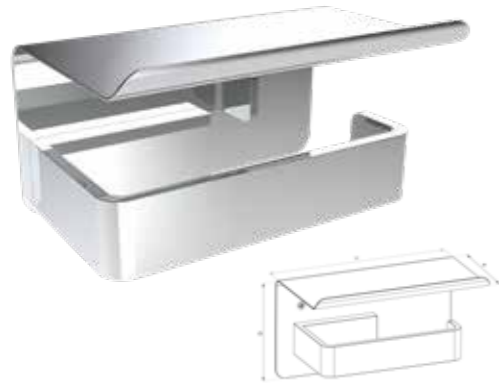
ALL ATLANTIS PRODUCTS CAN BE GLASS MOUNTED SEE PG29



**SINGLE TOWEL RAIL**  
ATL06 - W - 600 D - 30 P - 75



**DOUBLE TOWEL RAIL**  
ATL07 - W - 600 D - 30 P - 100



**TOILET ROLL HOLDER WITH SHELF**  
ATL22 - W - 178 P - 100 D - 96



**SINGLE ROBE HOOK**  
ATL05 - W - 10 D - 38 P - 35



**TOILET ROLL HOLDER**  
ATL04 - W - 142 D - 30 P - 75

# Glass mounting

WATERBURY  
20 YEAR  
GUARANTEE

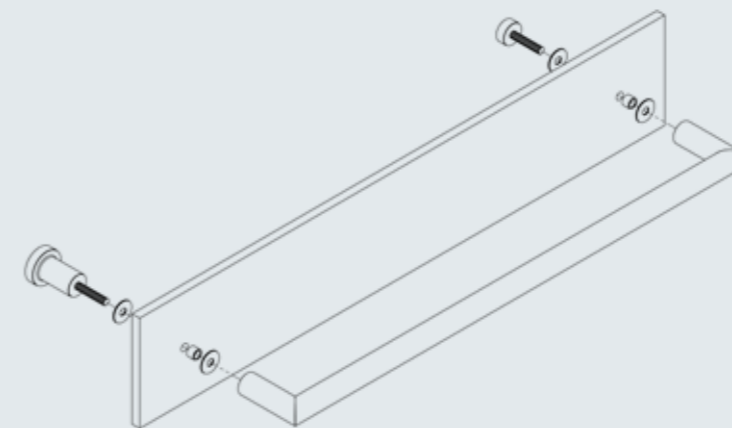
## VERSATILE AND SPACE SAVING

Simple to install, glass mounting looks stylish and gives extra flexibility to your bathroom layout. Both Quadra and Atlantis ranges and selected products in our other ranges can be fixed to glass, acrylic or other material in any thickness.



TO ENQUIRE ABOUT OUR GLASS MOUNTED PRODUCTS PLEASE CALL OUR TECHNICAL SUPPORT TEAM ON **0121 333 6062**

## SIMPLE INSTALL



1. Drill holes in the glass at the required distance
2. Insert plastic washers (supplied) to protect the glass
3. Slide one of the threaded bars (on the pull knob) through the glass
4. Fix the thread into the inside of the rail - do not overtighten at this stage
5. Slide the other threaded bar through the other hole and fix into rail
6. Tighten fully when both threads are in place and you are happy with the location of the rail

# Quadra

## ANGULAR STYLE

Quadra boasts eye-catching square edges and clean, angular lines. Brilliant mirror-finished stainless steel gives the range a luxurious, high-end appeal and for extra versatility, all Quadra products can be mounted on glass or acrylic.



WE OFFER MANY ALTERNATIVE FINISHES AND COLOUR MATCHING - SEE PAGE 6-7.



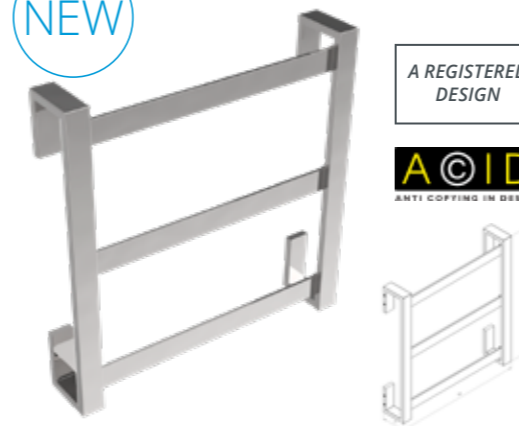
WATERBURY  
20 YEAR  
GUARANTEE

PRODUCT	PG	PRODUCT	PG
Shelves	31	Towel rails	31 - 33
Robe hooks	32	Toilet roll holders	32
Doorstops	32	Towel racks	31 - 32
Grab rails	31	Towel bars	32

ALL QUADRA PRODUCTS CAN BE GLASS MOUNTED SEE PG29



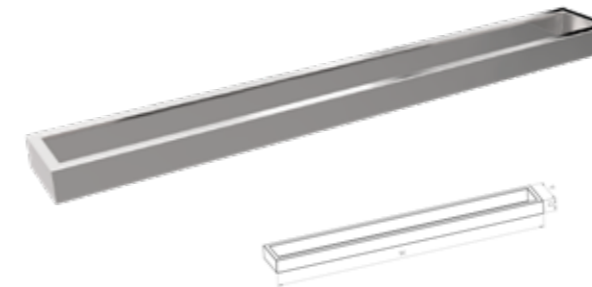
NEW



**TOWEL RACK**  
QU26 - W - 400 D - 400 P - 75



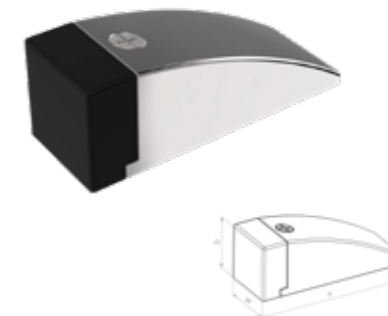
**GLASS SHELF**  
QU09 - W - 500 D - 30 P - 130



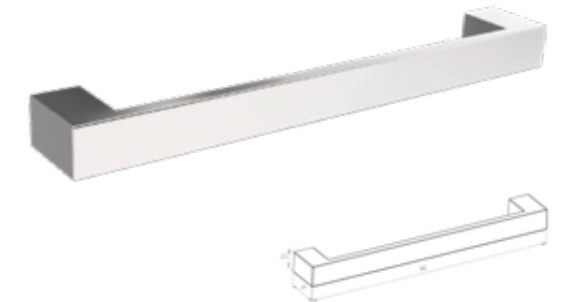
**SINGLE TOWEL RAIL**  
QU06 - W - 600 D - 30 P - 75  
QU16 - W - 480 D - 30 P - 75



**SHOWER SHELF**  
QU02 - W - 150 D - 30 P - 105  
QU03 - W - 220 D - 30 P - 105

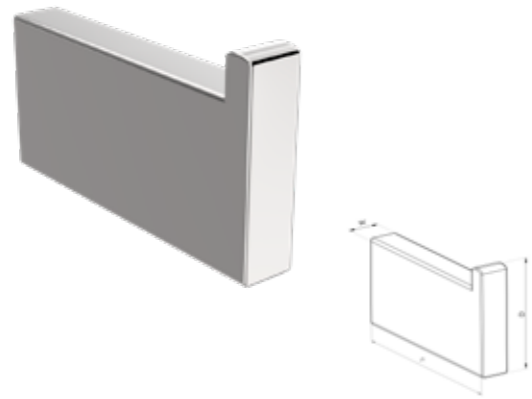


**DOORSTOP (FLOOR MOUNTED)**  
QU52 - W - 28 D - 28 P - 77



**GRAB RAIL**  
QU10 - W - 360 D - 30 P - 50

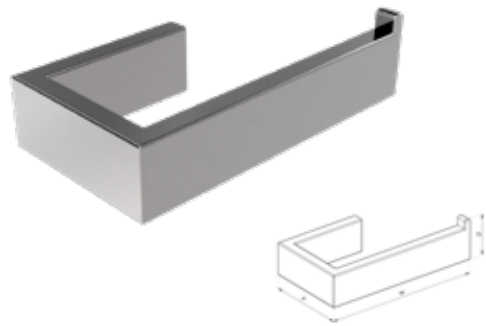




**SINGLE ROBE HOOK**  
 QU05 - W - 10 D - 38 P - 65

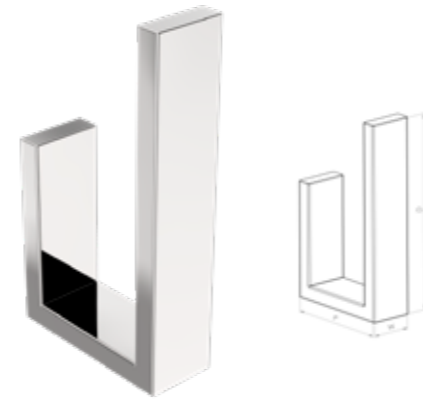


**DOUBLE ROBE HOOK**  
 QU07 - W - 81 D - 38 P - 64



**TOILET ROLL HOLDER**  
 QU04 - W - 142 D - 38 P - 75 (RIGHT-HANDED)

**TOILET ROLL HOLDER**  
 QU20 - W - 142 D - 38 P - 75 (LEFT-HANDED)



**SPARE TOILET ROLL HOLDER**  
 QU21 - W - 30 D - 135 P - 75



**TOWEL RACK**  
 QU12 - W - 600 D - 123 P - 232



**TOWEL BAR**  
 QU08 - W - 220 D - 30 P - 75



# Science

## CHROME-PLATED DURABILITY

The Science range is built to last, constructed with the highest grade raw materials and chrome-plated to British standard BS EN ISO 1456:2009. With sleek lines and space-saving accessories, Science is a wonderfully contemporary design.



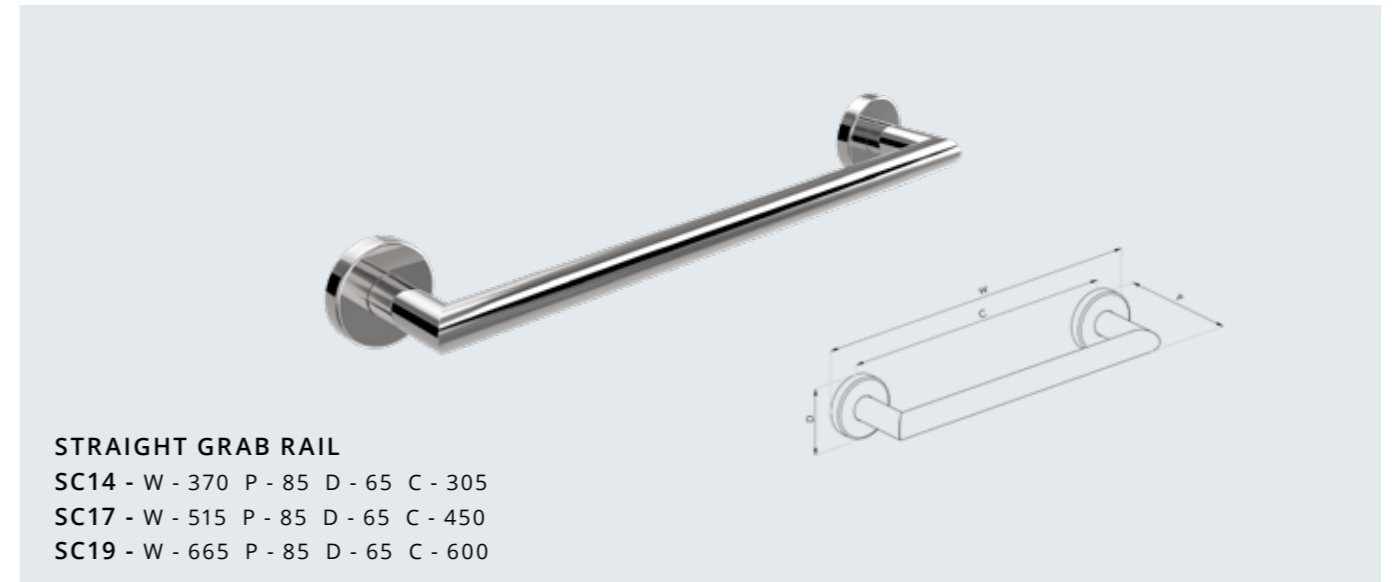
WE OFFER MANY ALTERNATIVE FINISHES AND COLOUR MATCHING - SEE PAGE 6-7.



PRODUCT	PG
Towel ring/rails	35
Grab rails	36
Toilet roll holders	36
Doorstop	36
Miscellaneous	37

WATERBURY  
20 YEAR  
GUARANTEE

ALTERNATIVE FINISHES & COLOURS  
AVAILABLE ON ALL PRODUCTS



**STRAIGHT GRAB RAIL**  
 SC14 - W - 370 P - 85 D - 65 C - 305  
 SC17 - W - 515 P - 85 D - 65 C - 450  
 SC19 - W - 665 P - 85 D - 65 C - 600



**TOWEL RING**  
 SC08 - W - 280 D - 114 P - 59



**DOUBLE TOWEL RAIL**  
 SC07 - W - 675 P - 153 D - 65 C - 610  
 SC26 - W - 515 P - 153 D - 65 C - 450



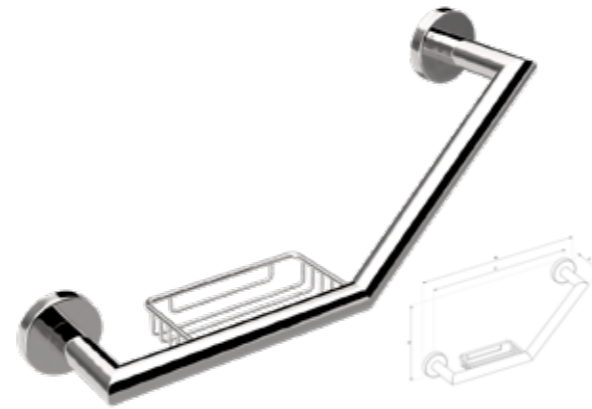
**SHOWER DOOR HANDLE / RAIL**  
 SC24 - W - 475 P - 60 Ø - 19



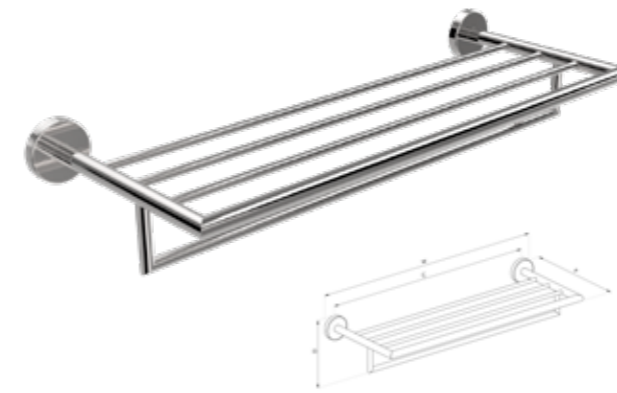
**SINGLE TOWEL RAIL**  
 SC03 - W - 400 P - 100 D - 65 C - 335  
 SC04 - W - 520 P - 75 D - 65 C - 455  
 SC06 - W - 675 P - 100 D - 65 C - 610



**ANGLED GRAB RAIL**  
SC13 - W - 328 D - 172 P - 91 C - 285



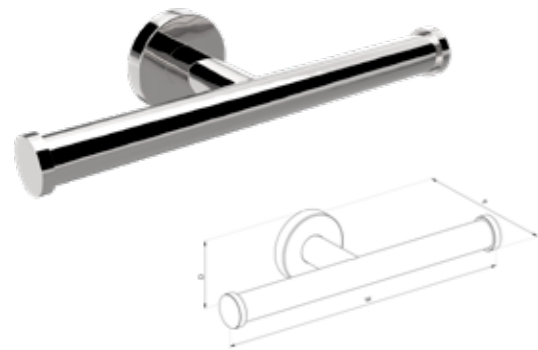
**ANGLED GRAB RAIL WITH SOAP DISH**  
SC42 - W - 440 D - 222 P - 106 C - 410



**TOWEL RACK**  
SC12 - W - 675 D - 110 P - 258 C - 610  
SC16 - W - 515 D - 110 P - 258 C - 450



**SPACE SAVING TOWEL RACK**  
SC15 - W - 400 D - 480 P - 67 C1 - 381 C2 - 400



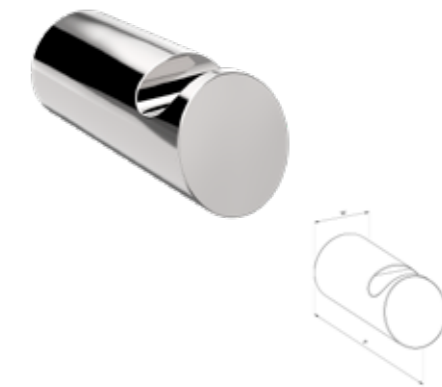
**DOUBLE TOILET ROLL HOLDER**  
SC25 - W - 284 D - 65 P - 100



**TOILET ROLL HOLDER**  
SC20 - W - 173 D - 65 P - 100



**SHOWER FOOT REST**  
SC30 - W - 380 D - 25



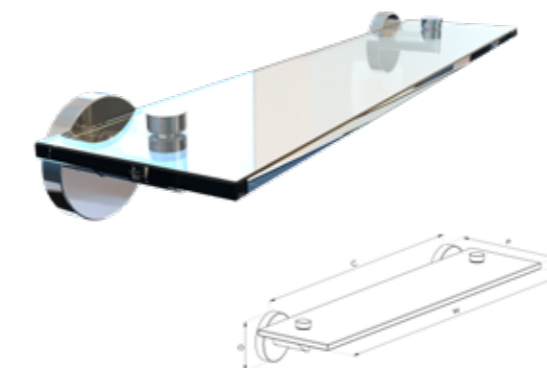
**ROBE HOOK**  
SC05 - W - 19 D - 19 P - 44



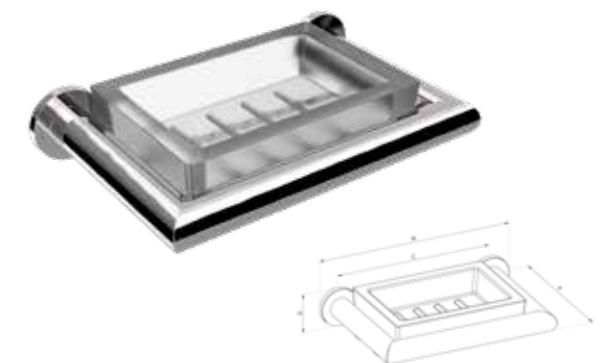
**SPARE TOILET ROLL HOLDER**  
SC21 - W - 65 D - 65 P - 163



**DOORSTOP (FLOOR-MOUNTED)**  
SC23 - W - 25 P - 46



**GLASS SHELF**  
SC09 - W - 500 D - 65 P - 123 C - 407



**SOAP DISH**  
SC01 - W - 180 D - 37 P - 112 C - 145

# Project

## CLEAN, GEOMETRIC LINES

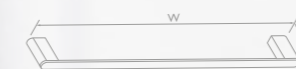
A sophisticated range with sleek, angular lines and a contemporary feel. Project is one of our most versatile ranges and can adapt to most spaces and bathroom styles.



WE OFFER MANY ALTERNATIVE FINISHES AND COLOUR MATCHING - SEE PAGE 6-7.

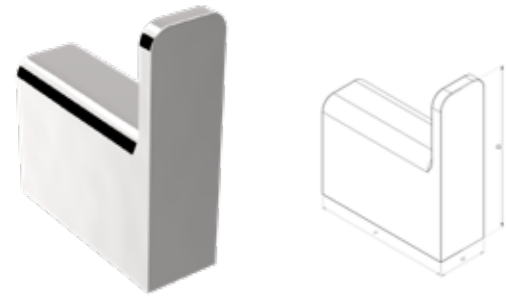


**SINGLE TOWEL RAIL**  
DPR06 - W - 637 D - 20 P - 63



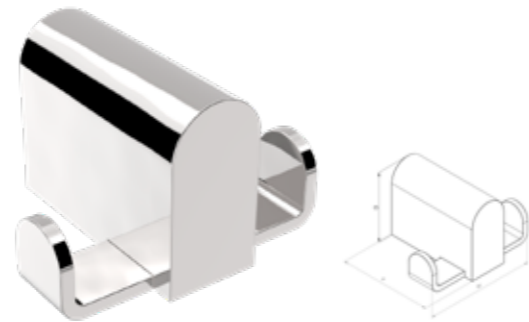
WATERBURY  
20 YEAR  
GUARANTEE

PRODUCT	PG	PRODUCT	PG
Toilet roll holders	41	Toilet roll holders	41
Towel rails	39 - 41	Towel rings	41
Shelves	40	Baskets	41
Grab rails	40	Detachable drop down arm	43
Robe hooks	40	Detachable grab rail	43



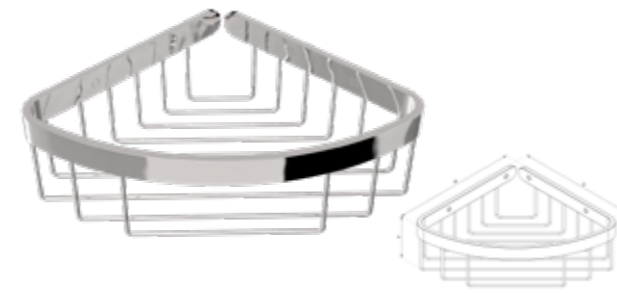
**ROBE HOOK**  
DPR21 - W - 20 D - 65 P - 55

NEW

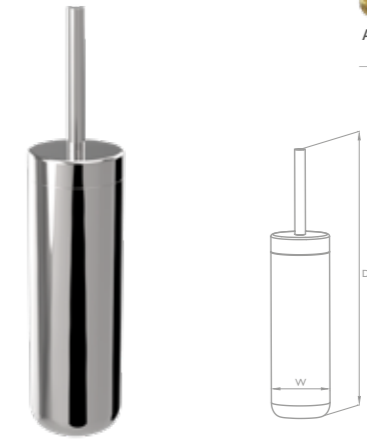


**DOUBLE ROBE HOOK**  
DPR29 - W - 60 D - 38 P - 60

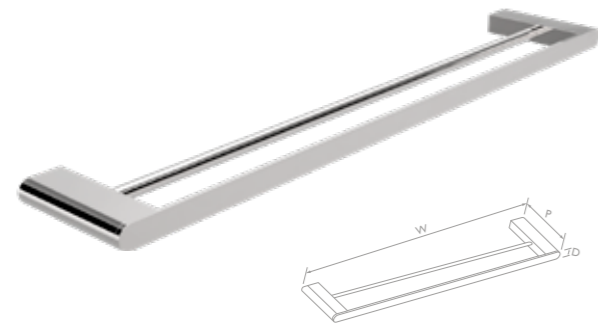
NEW



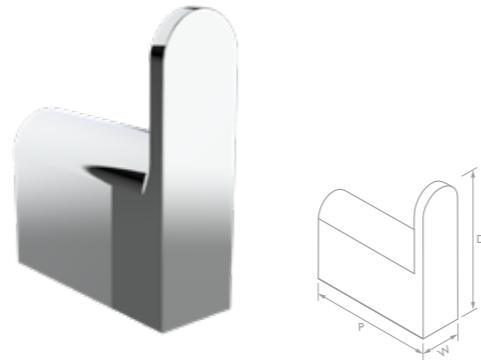
**SHOWER BASKET**  
DPR23 - W - 203 D - 73.5 P - 200



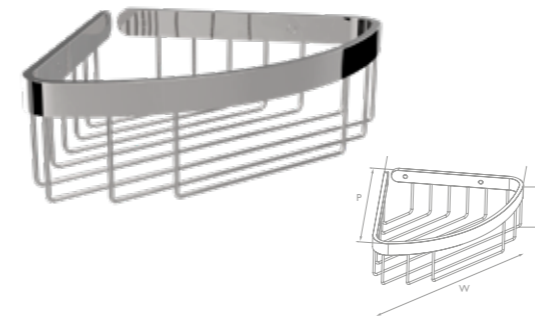
**TOILET BRUSH**  
DPR20 - W - 89 D - 360 P - 89



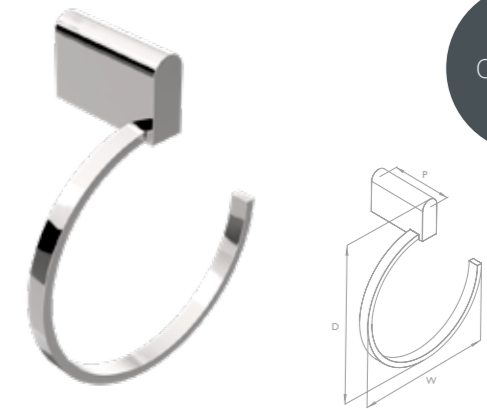
**DOUBLE TOWEL RAIL**  
DPR07 - W - 637 D - 20 P - 114



**SINGLE ROBE HOOK**  
DPR05 - W - 20 D - 65 P - 54

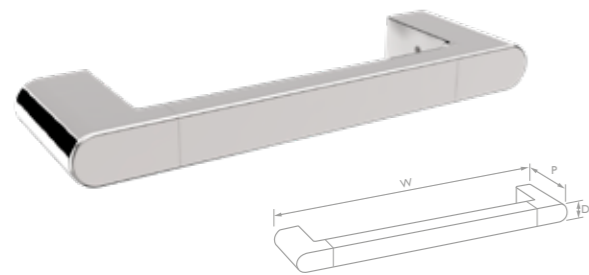


**CORNER BASKET**  
DPR15 - W - 272 D - 73.5 P - 206

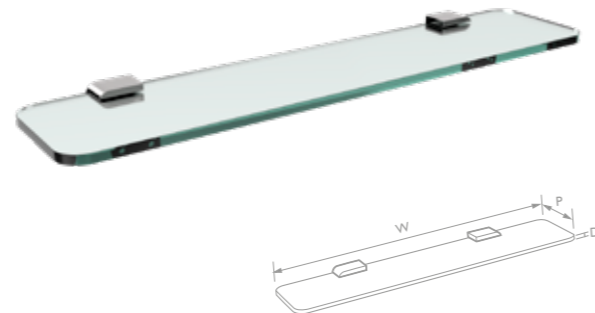


LEFT  
OR RIGHT  
INSTALL

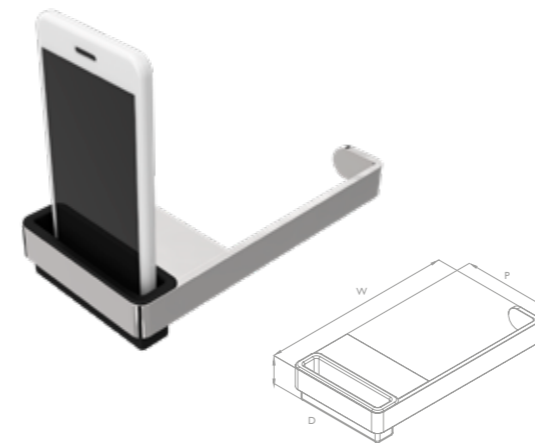
**TOWEL RING**  
DPR16 - W - 160 D - 200 P - 73



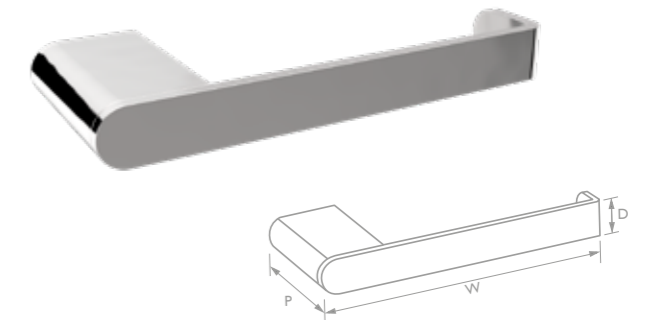
**GRAB RAIL**  
DPR11 - W - 300 D - 30 P - 90  
DPR12 - W - 450 D - 30 P - 90  
DPR13 - W - 600 D - 30 P - 90



**GLASS SHELF**  
DPR09 - W - 513 D - 20 P - 116



**TOILET ROLL HOLDER WITH  
PHONE HOLDER**  
DPR22 - W - 187 D - 35 P - 97



**TOILET ROLL HOLDER**  
DPR04 - W - 173 D - 20 P - 69

# Project - Detachable drop down and grab rails

## STYLE AND STRENGTH - WHEN YOU NEED IT

Ergonomically designed and cleverly engineered, our unique range of grab rails are strong and comfortable to use.

Carefully designed pins, locating slots and high tensile, spring loaded clips make them practical and versatile – quick to fit and removed in seconds when they're not required.

They are also Doc M compliant and can be used to support the less able in a range of commercial applications, from hotels to senior living accommodation.

The quick release and easy fit features are unique Waterbury designs and registered with ACID (Anti Copyright in Design) for protection.

THE  
DETACHABLE  
& EASY FIT  
FEATURES ARE  
REGISTERED  
DESIGNS



WATERBURY  
20 YEAR  
GUARANTEE



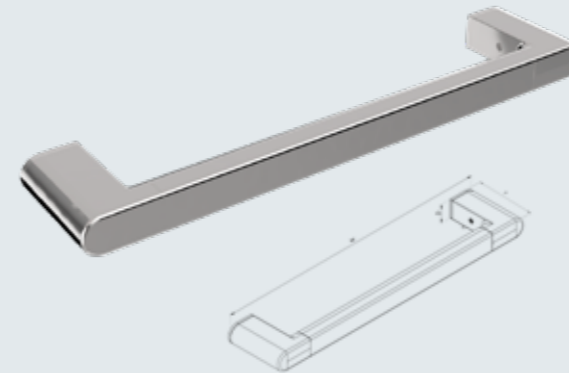
WE OFFER MANY ALTERNATIVE FINISHES AND COLOUR MATCHING - SEE PAGE 6-7.

INDEPENDENTLY STRENGTH TESTED BY LLOYDS BRITISH



### DETACHABLE GRAB RAILS

The D-shaped rail – flat on the front and curved on the rear – fits perfectly into the shape of the hand. Tested to a load of 200 kg.



DPR31 - W - 450 D - 30 P - 93  
DPR32 - W - 300 D - 30 P - 93  
DPR33 - W - 600 D - 30 P - 93



Position in use

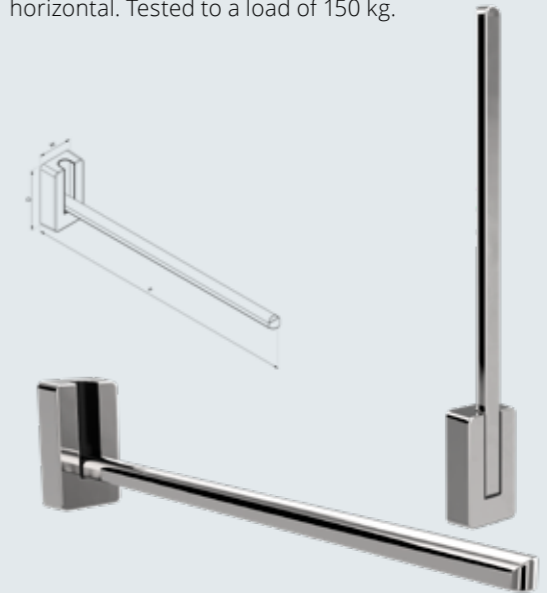


Blanking plates



### DETACHABLE DROP DOWN ARM

The 'soft close' mechanism lets the rail glide gently from the upright position to the horizontal. Tested to a load of 150 kg.



DETACHABLE DROP DOWN ARM  
DPR30 - W - 100 D - 180 P - 765



Position in use



Blanking plate

# Voda

## CONTEMPORARY AND STRONG

Voda offers simple, modern styling at a cost that's affordable. But it's also extremely strong – the Voda Support Rail can sustain a maximum weight of 180kg so it's the perfect choice for the less able. Who says you need to choose strength over style?



WE OFFER MANY ALTERNATIVE FINISHES AND COLOUR MATCHING - SEE PAGE 6-7.

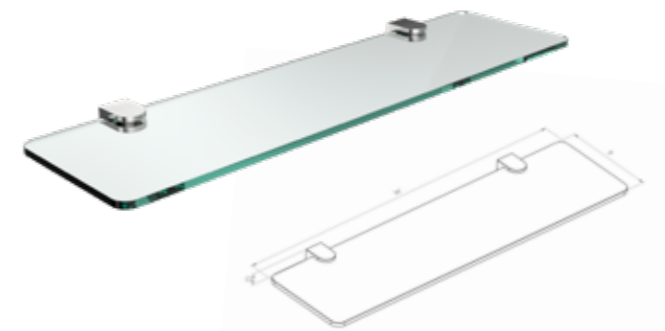


PRODUCT	PG
Glass shelves	45
Toilet roll holders	45
Towel rails	45
Robe hooks	45
Towel racks	45
Drop down rails	46 - 47
Grab rails	46 - 47

WATERBURY  
20 YEAR  
GUARANTEE

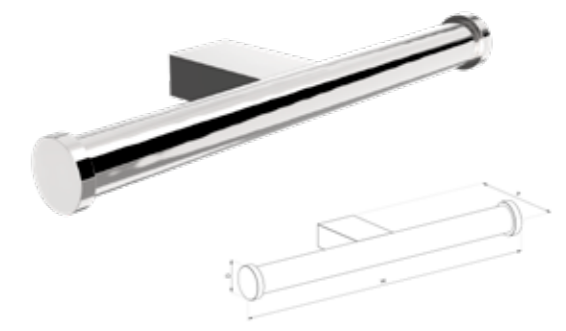
ALTERNATIVE FINISHES & COLOURS  
AVAILABLE ON ALL PRODUCTS

NEW

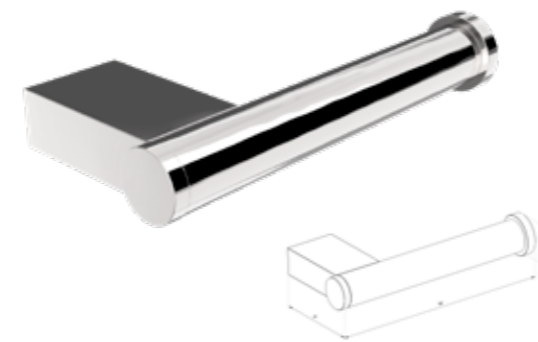


**GLASS SHELF**  
VA09 - W - 500 D - 17 P - 142

NEW



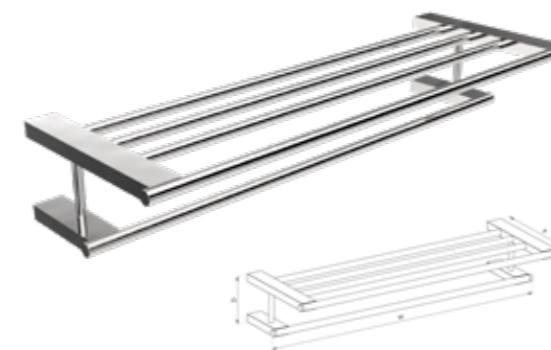
**DOUBLE TOILET ROLL HOLDER**  
VA16 - W - 295 D - 32 P - 88



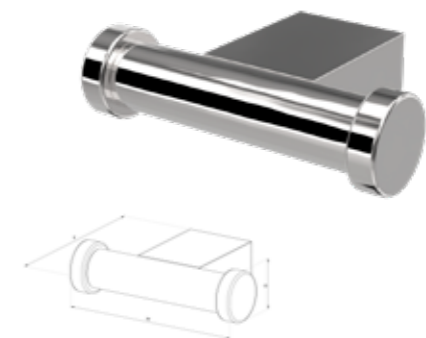
**SINGLE TOILET ROLL HOLDER**  
VA20 - W - 172 D - 32 P - 88



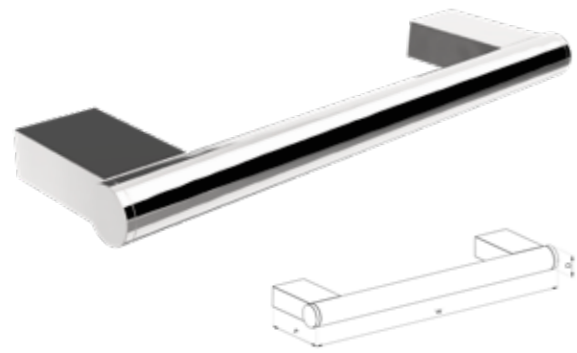
**SINGLE TOWEL RAIL**  
VA05 - W - 308 D - 19 P - 85  
VA06 - W - 608 D - 19 P - 85



**TOWEL RACK**  
VA12 - W - 600 D - 100 P - 210



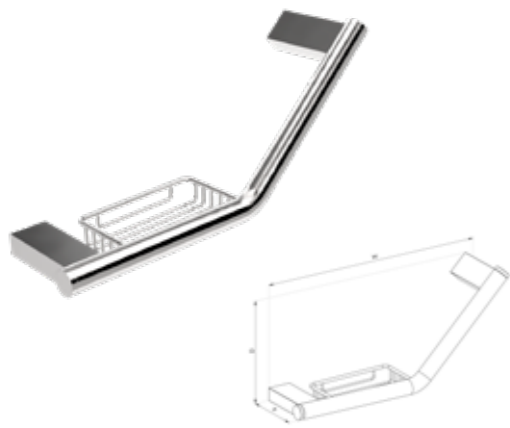
**DOUBLE ROBE HOOK**  
VA04 - W - 91 D - 25 P - 64



**GRAB RAIL**

VA14 - W - 310 D - 25 P - 85

VA19 - W - 610 D - 25 P - 85



**ANGLED GRAB RAIL WITH BASKET**

VA42 - W - 418 D - 200 P - 110

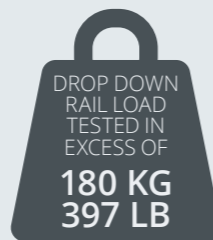
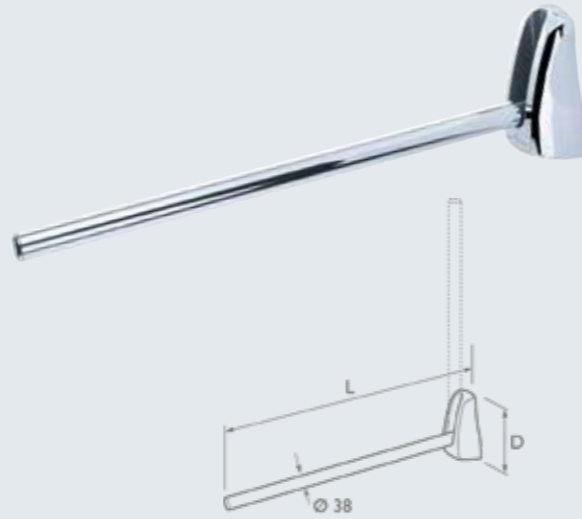


**GRAB RAIL**

VA02 - W - 600 D - 35 P - 95

VA03 - W - 450 D - 35 P - 95

**DROP DOWN RAILS**



**DROP DOWN RAIL**

VA01 - W - 113 D - 205 P - 765



Expertise • Independence • Integrity

**OUR DROP DOWN RAILS  
WERE INDEPENDENTLY  
TESTED BY FIRA**

The Furniture Industry Research Association was established over 60 years ago by the furniture industry for the industry.

FIRA International provides a wide range of independent expert services that are not only dedicated to the global furniture supply chain but also to furniture consumers and continues safeguarding the industry through managing the Association's membership activity.



**COLOUR MATCHED 'DOC M' GRAB RAILS**

The popular Voda range of 'Doc M' grab rails is now available, including more colour choices, to match the accessories with other fixtures in a scheme.

Colour accessories provide contrast for the visually impaired where necessary. There are also gloss or matt finishes available.



Please speak to your local representative or contact the Waterbury Head Office for more details.



# Hotel

## A STYLISH CLASSIC

A strong, durable range with a choice of space-saving accessories. Hotel offers classic styling with gentle curves and an understated elegance that can easily adapt to most spaces and designs.



WE OFFER MANY ALTERNATIVE FINISHES AND COLOUR MATCHING - SEE PAGE 6-7.



PRODUCT	PG
Soap holders	49 - 50
Pedal bins	50
Miscellaneous	50
Grab rails	50 - 51
Towel rails	51
Towel racks	52
Soap baskets	52

PRODUCT	PG
Shelves	55
Robe hooks	53
Tissue dispensers	54
Toilet roll holders	55 - 56
Shower rails	56
Shower accessories	56 - 57

WATERBURY  
20 YEAR  
GUARANTEE

ALTERNATIVE FINISHES & COLOURS AVAILABLE ON ALL PRODUCTS

NEW



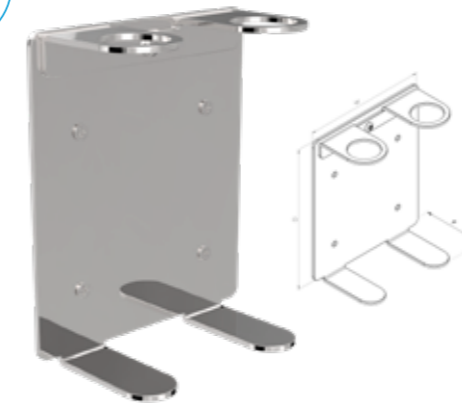
**1 BOTTLE SOAP HOLDER**  
NH106 1 BOTTLE - W - 63 D - 200 P - 68.65

NEW



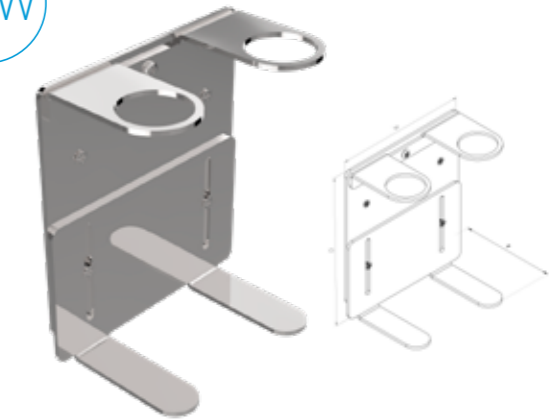
**2 BOTTLE SOAP HOLDER**  
NH106A 2 BOTTLES - W - 135 D - 200 P - 68.65

NEW



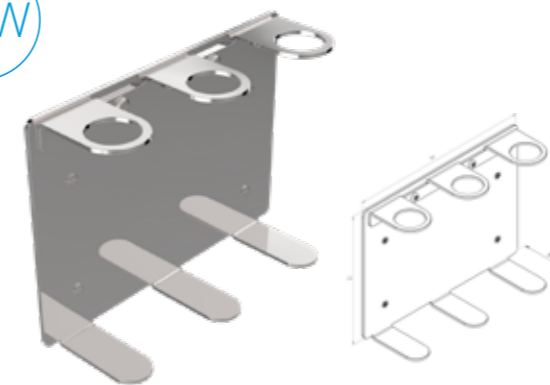
**2 BOTTLE SOAP HOLDER**  
NH102 - W - 112 D - 134.25 P - 52.65

NEW



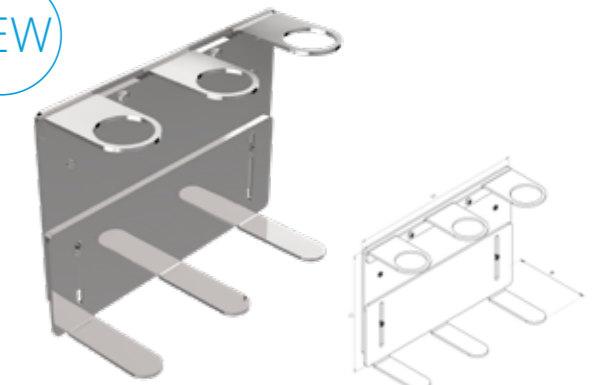
**2 BOTTLE SOAP HOLDER ADJUSTABLE**  
NH102ADJ - W - 127 D - 130-172 P - 70.25

NEW



**3 BOTTLE SOAP HOLDER**  
NH103 - W - 180 D - 134.25 P - 52.65

NEW



**3 BOTTLE SOAP HOLDER ADJUSTABLE**  
NH103ADJ - W - 209 D - 130-172 P - 70.25



NEW

**3 BOTTLE SOAP HOLDER**  
NH106B 3 BOTTLES - W - 207 D - 200 P - 68.65



**GRAB RAIL**  
NH109 - W - 974 D - 74 P - 89



**TOILET BRUSH & HOLDER (WALL OR FLOOR MOUNTING)**  
NH58 - W - 90 D - 380

**PEDAL BINS**

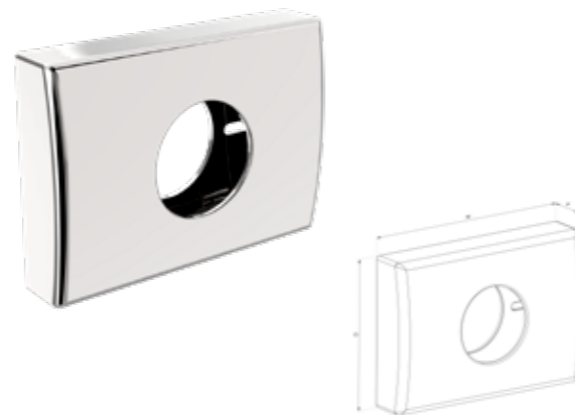


**THREE FINISHES**  
**CHROME AVAILABLE IN 3L & 5L**

**CHROME - PEDAL BIN**  
NH64 - H - 260 Ø - 168 - 3L  
NH57 - H - 280 Ø - 205 - 5L

**BLACK - PEDAL BIN**  
NH64 - H - 260 Ø - 168 - 3L

**WHITE - PEDAL BIN**  
NH64 - H - 260 Ø - 168 - 3L



**SANITARY BAG DISPENSER**  
NH56 - W - 140 D - 101 P - 30



**SINGLE TOWEL RAIL**  
NH03 - W - 522 D - 65 P - 82 C - 457  
NH04 - W - 675 D - 65 P - 82 C - 610



**ANGLED GRAB RAIL**  
NH13 - W - 321 D - 172 P - 84 Ø - 25.4  
NH14 - W - 440 D - 227 P - 84 Ø - 25.4



**ANGLED GRAB RAIL WITH SOAP DISH**  
NH42 - W - 440 D - 227 P - 106 Ø - 25.4



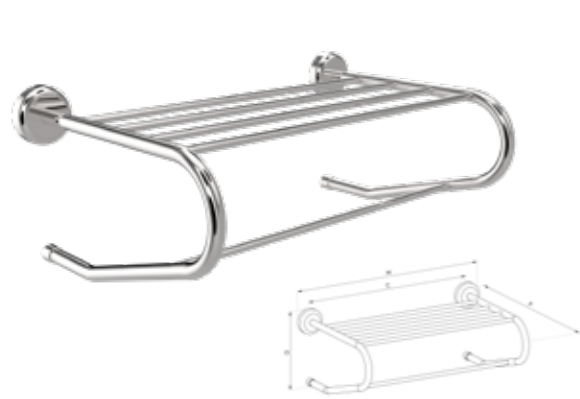
**DOUBLE TOWEL RAIL**  
NH06 - W - 522 D - 65 P - 145 C - 457  
NH07 - W - 675 D - 65 P - 145 C - 610



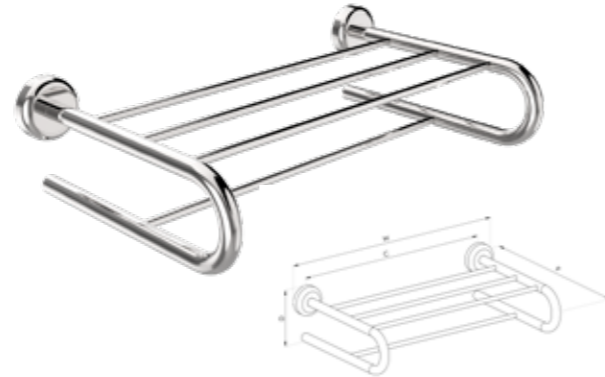
**GRAB RAIL**  
NH09 - W - 370 D - 65 P - 85 C - 305 Ø - 25.4  
NH10 - W - 522 D - 65 P - 85 C - 457 Ø - 25.4  
NH11 - W - 675 D - 65 P - 85 C - 610 Ø - 25.4



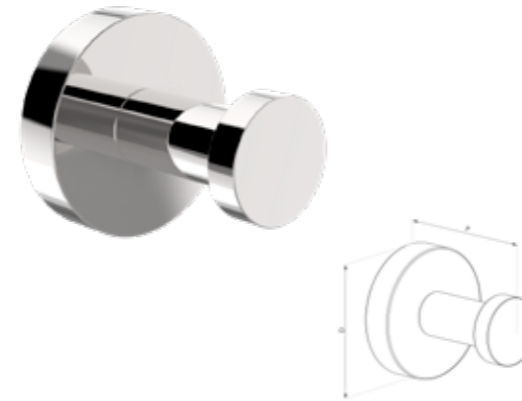
**CURVED SINGLE TOWEL RAIL**  
NH44 - W - 620 D - 65 P - 94



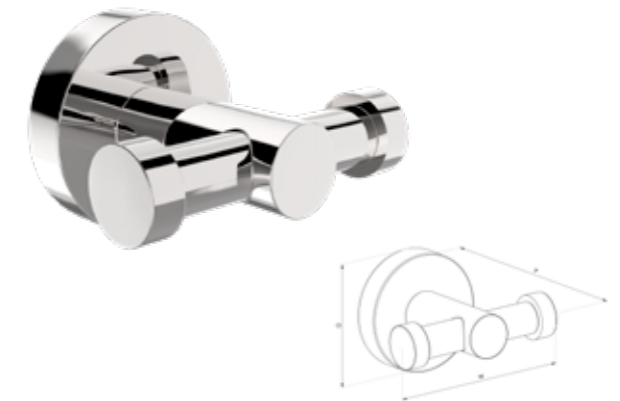
**CLEAN TOWEL RACK - CANTILEVER**  
 NH01 - W - 522 D - 201 P - 316 C - 457  
 NH02 - W - 675 D - 201 P - 316 C - 610



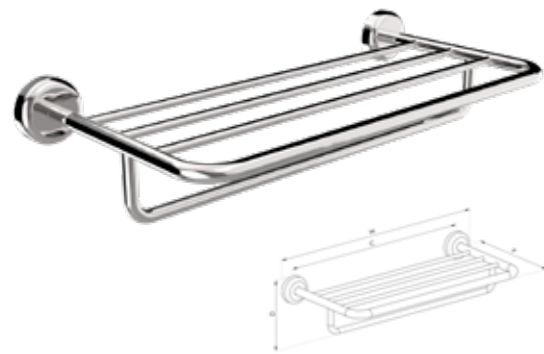
**CLEAN TOWEL RACK - SLIMLINE**  
 NH70 - W - 522 D - 122 P - 294 C - 457  
 NH71 - W - 680 D - 130 P - 294 C - 615



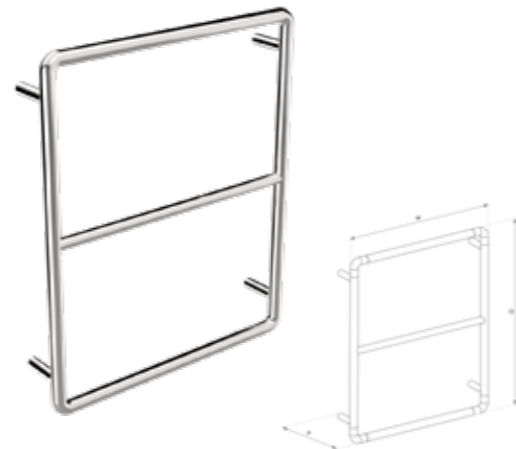
**SINGLE ROBE HOOK**  
 NH83 - W - 48 D - 48 P - 50



**DOUBLE ROBE HOOK**  
 NH82 - W - 68 D - 48 P - 56



**CLEAN TOWEL RACK - UNDER RAIL**  
 NH40 - W - 545 D - 108 P - 255 C - 480  
 NH41 - W - 680 D - 108 P - 265 C - 616



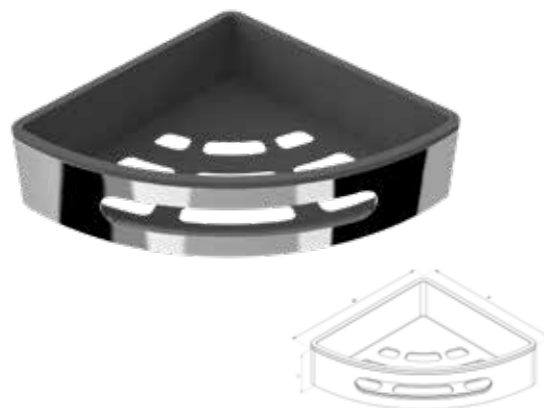
**TOWEL RACK**  
 NH100 - W - 400 D - 480 P - 67



**DOOR ROBE HOOK STOPPER**  
 NH79A - P - 90 Ø - 45



**ROBE HOOK**  
 NH49 - D - 16 P - 36



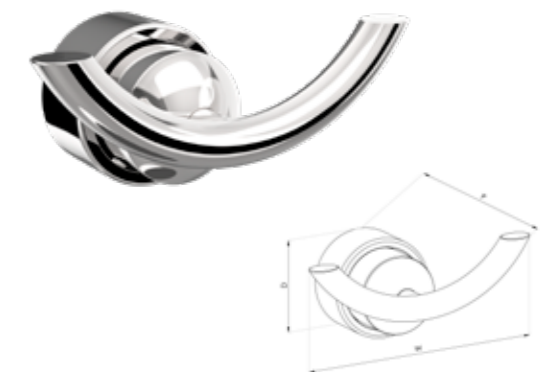
**CORNER SOAP BASKET WITH  
 GREY ABS INNER BASKET**  
 NH87 - W - 315 D - 65 P - 230



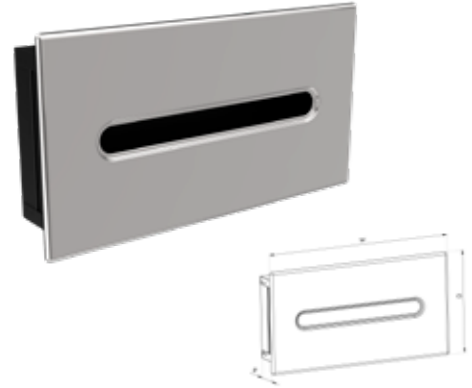
**CORNER SOAP BASKET WITH  
 GREY ABS INNER BASKET**  
 NH88 - W - 280 D - 65 P - 140



**DOUBLE ROBE HOOK**  
 NH25 - W - 41 D - 55 P - 44



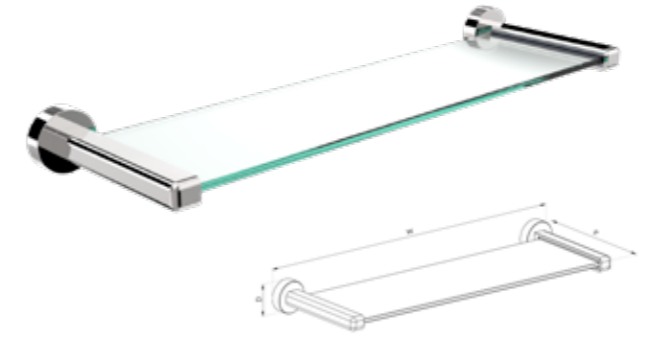
**ROUND DOUBLE ROBE HOOK**  
 NH48 - W - 76 P - 50



**RECESSED TISSUE DISPENSER**  
 NH76 - W - 298 D - 159 R - 52



**CUBE TISSUE DISPENSER**  
 NH81 - W - 131 D - 131 P - 131



**GLASS SHELF**  
 NH62 - W - 492 D - 45 P - 147



**DOUBLE TOILET ROLL HOLDER**  
 NH16 - W - 276 D - 65 P - 66



**TISSUE DISPENSER**  
 NH55 - W - 270 D - 140 P - 67



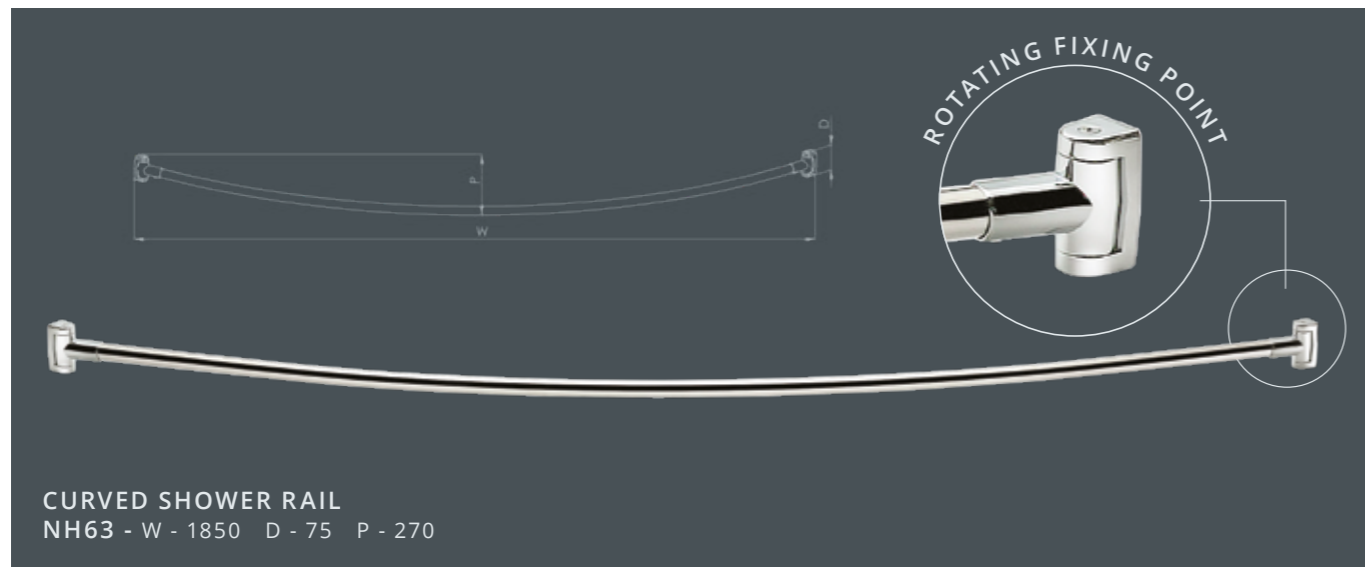
**TOWEL RING**  
 NH23 - W - 162 D - 174 P - 42



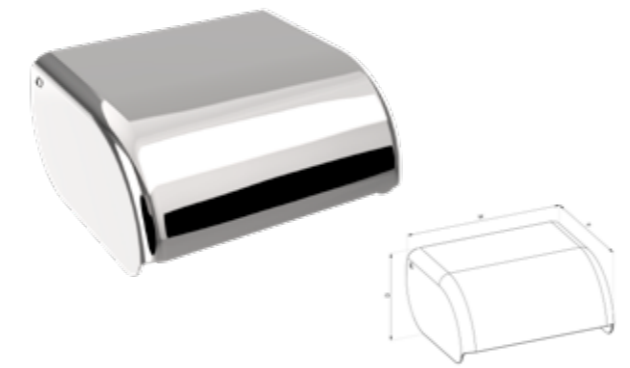
**SINGLE TOILET ROLL HOLDER**  
 NH17 - W - 172 D - 65 P - 86



**SINGLE TOILET ROLL HOLDER**  
 NH60 - W - 158 D - 70 P - 21



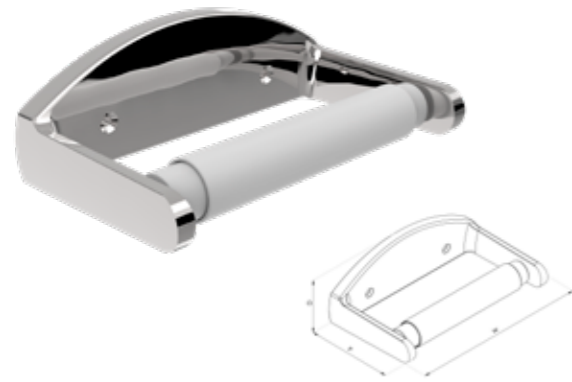
**CURVED SHOWER RAIL**  
 NH63 - W - 1850 D - 75 P - 270



**TOILET ROLL HOLDER WITH COVER**  
 NH43 - W - 134 D - 64 P - 120



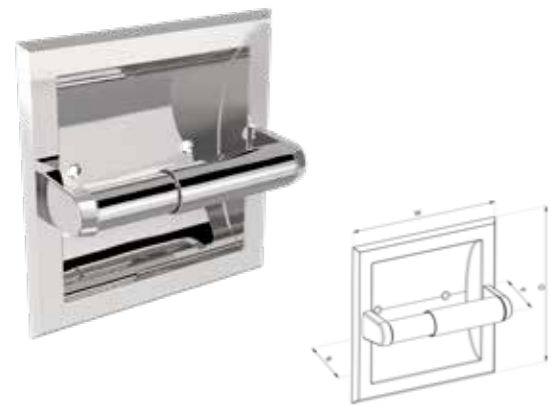
**SINGLE TOILET ROLL HOLDER**  
 NH20 - W - 65 D - 65 P - 145



**STANDARD TOILET ROLL HOLDER  
WITH EXPOSED FITTINGS**  
NH15 - W - 146 D - 49 P - 86



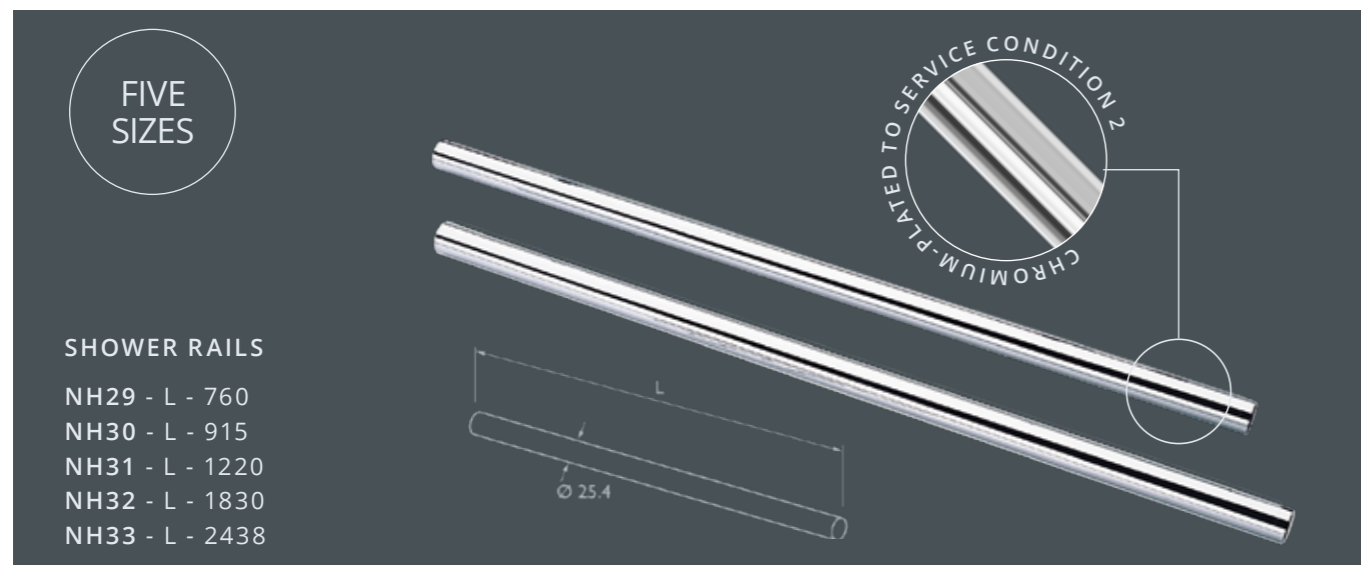
**STANDARD TOILET ROLL HOLDER  
WITH CONCEALED FITTINGS**  
NH46 - W - 146 D - 49 P - 85



**RECESSED TOILET ROLL HOLDER**  
NH18 - W - 158 D - 158 P - 40 R - 25



**EXTRA RECESSED TOILET ROLL HOLDER**  
NH19 - W - 160 D - 160 P - 65 R - 100



SHOWER ACCESSORIES

NEW



**SHOWER SLIDE HOLDER**  
NH108 - W - 84.56 D - 85.57 P - 80.25



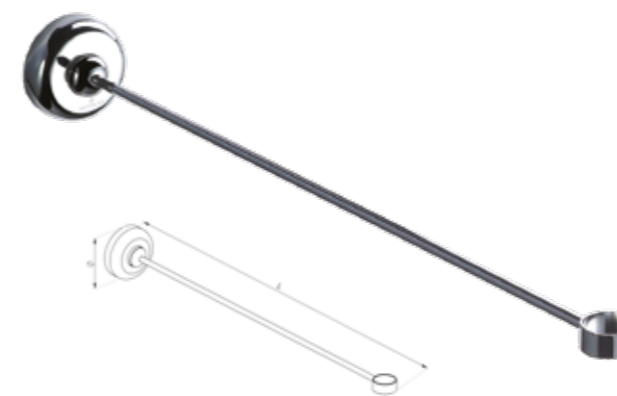
**SHOWER RAIL BEND COMPLETE  
WITH CONNECTORS**  
NH36 - L - 125 D - 125 Ø - 25



**SHOWER CURTAIN HOOKS,  
METAL (PER DOZEN)**  
NH39 - W - 36 D - 67



**FLANGES & COVER PLATES FOR STRAIGHT  
AND 'L' SHAPE RAILS (PAIR)**  
NH34 - Ø - 65



**CEILING STAY**  
NH37 - L - 490 Ø - 20  
NH38 - L - 940 Ø - 20



**SHOWER CURTAIN HOOKS, PLASTIC (12)**  
NH72 - W - 40 D - 55 P - 15

# Proteus

## AWARD-WINNING DESIGN

The striking looks of Proteus are matched only by its strength. With full Doc M compliance, the Proteus Drop Down Rail has been independently tested to withstand a weight of 208kg. It even won the BCFA Design Award, helping us to redefine the style standard in accessories for the less able.



WE OFFER MANY ALTERNATIVE FINISHES AND COLOUR MATCHING - SEE PAGE 6-7.



WATERBURY  
20 YEAR  
GUARANTEE

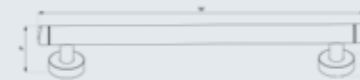
PRODUCT	PG
Grab rails	59
Drop down rails	59

## WEIGHT TESTED INDEPENDENTLY AND GUARANTEED



### GRAB RAILS

Os condem, seniu ius co ta rentio imor untiqui servirm anducerfes hentrís, ta mus ad acipio in Itam et Cat. Re fursult udelleg erori, sed

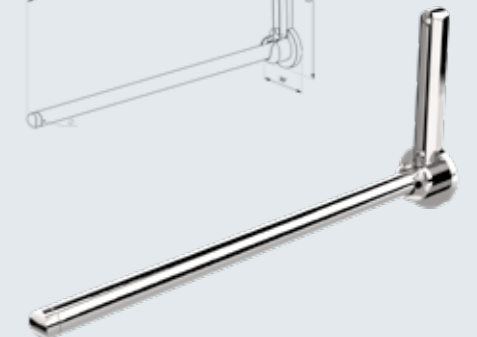
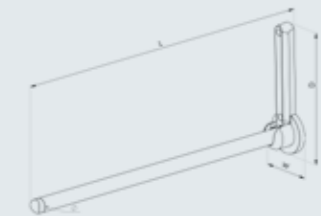


PR02 - W - 600 D - 65 P - 90  
PR03 - W - 450 D - 65 P - 90



### DROP DOWN RAILS

Os condem, seniu ius co ta rentio imor untiqui servirm anducerfes hentrís, ta mus ad acipio in Itam et Cat. Re fursult udelleg erori, sed



PR01 - L - 855 W - 114 D - 355 Ø - 38

## COLOUR MATCHED 'DOC M' GRAB RAILS

The popular Voda range of 'Doc M' grab rails is now available, including more colour choices, to match the accessories with other fixtures in a scheme.

Colour accessories provide contrast for the visually impaired where necessary. There are also gloss or matt finishes available.



Please speak to your local representative or contact the Waterbury Head Office for more details.

# Essential

## SIMPLE, CLEAN - ESSENTIAL

Essential is strong, simple and offers exceptional value for money. For commercial installations where budgets are a little tighter, our Essential range is a great choice. It also looks good.



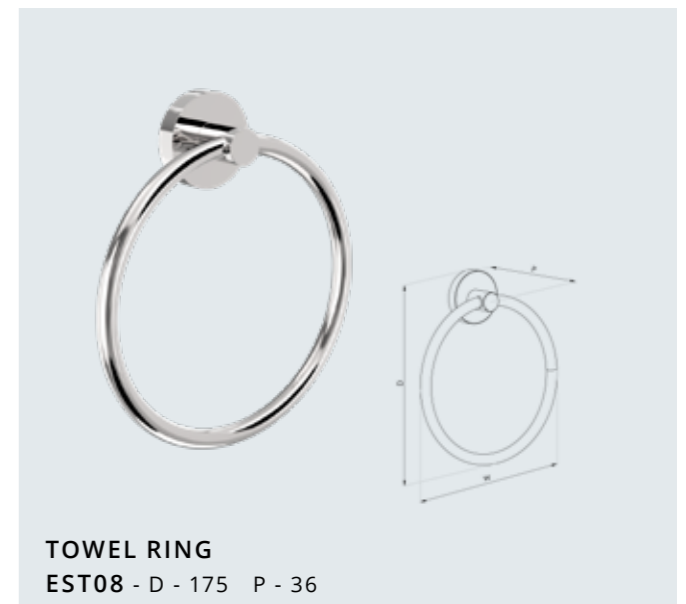
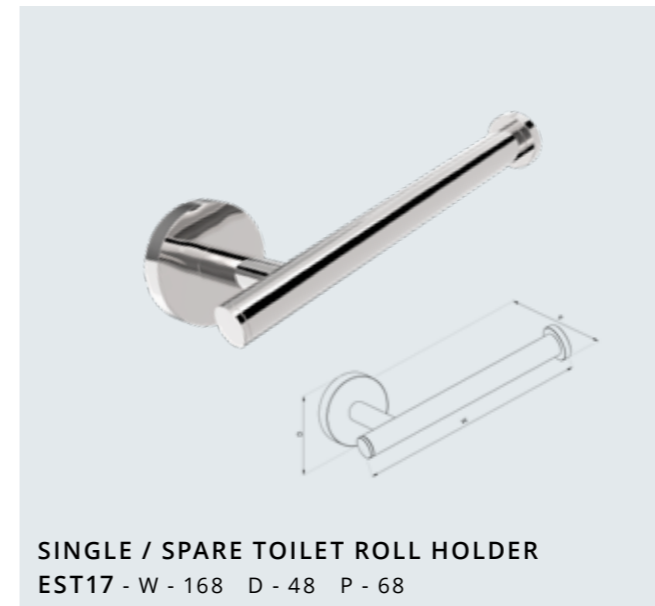
WE OFFER MANY ALTERNATIVE FINISHES AND COLOUR MATCHING - SEE PAGE 6-7.



PRODUCT	PG
Toilet roll holders	61, 63
Toilet brush	61
Towel rails and ring	61, 63
Towel rack	61, 63
Robe hooks	62
Shelves	62

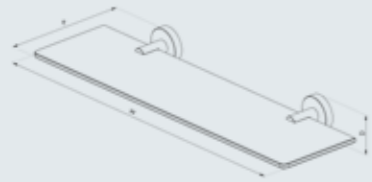
WATERBURY  
20 YEAR  
GUARANTEE

ALTERNATIVE FINISHES & COLOURS  
AVAILABLE ON ALL PRODUCTS





ALTERNATIVE FINISHES & COLOURS  
AVAILABLE ON ALL PRODUCTS



**GLASS SHELF**  
EST09 - W - 500 D - 48 P - 145



**DOUBLE ROBE HOOK**  
EST21 - W - 200 D - 45 P - 60

NEW



**DOUBLE TOILET ROLL HOLDER WITH COVER**  
EST25 - W - 282 D - 138 P - 60

NEW



**TOWEL RAIL**  
EST23 - W - 612 D - 48 P - 80



**SINGLE ROBE HOOK**  
EST05 - W - 48 P - 36



**DOUBLE ROBE HOOK**  
EST13 - W - 72 D - 55 P - 43



**DOUBLE TOWEL RACK**  
EST18 - W - 614 D - 138 P - 220



**DOUBLE TOILET ROLL HOLDER**  
EST16 - W - 286 D - 48 P - 76.5



ALTERNATIVE FINISHES & COLOURS  
AVAILABLE ON ALL PRODUCTS



# Universal

## AN ALL-ROUND RANGE

Functional, practical and 'to the point'. Universal is a range of accessories that works for a wide variety of applications and fits seamlessly with products from other ranges. They're simple, stylish and built to last.



WE OFFER MANY ALTERNATIVE FINISHES AND COLOUR MATCHING - SEE PAGE 6-7.

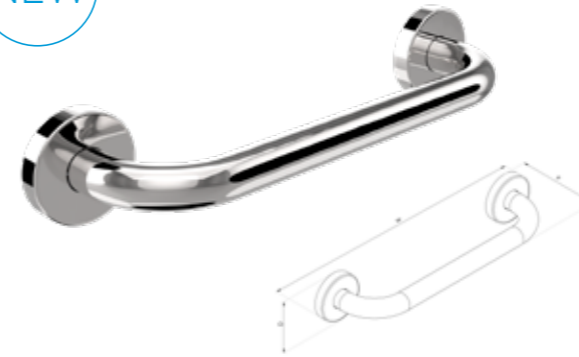


PRODUCT	PG
Baskets	65
Doorstops	66 - 67
Miscellaneous	65 - 67

WATERBURY  
20 YEAR  
GUARANTEE

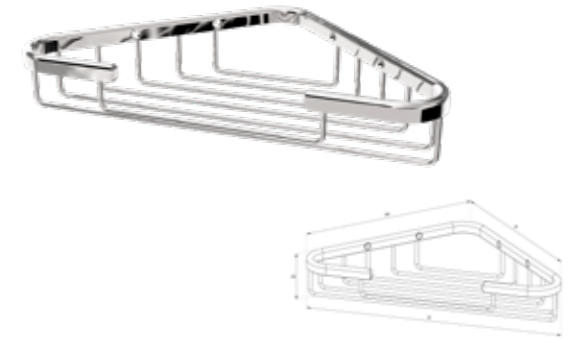
ALTERNATIVE FINISHES & COLOURS  
AVAILABLE ON ALL PRODUCTS

NEW



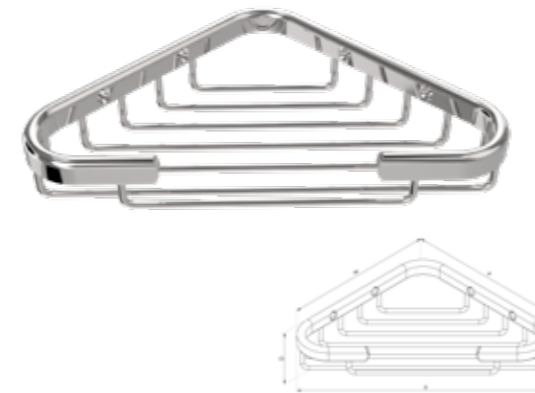
### GRAB RAIL

TL09 - W - 365 D - 65 P - 85  
TL10 - W - 465 D - 65 P - 85  
TL11 - W - 665 D - 65 P - 85



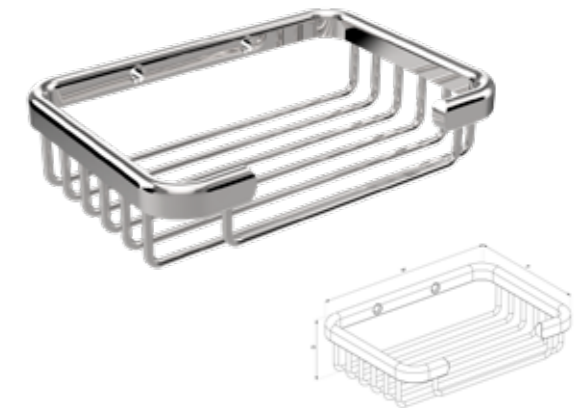
### CORNER BASKET SPONGE DISH

NH26 - W - 186 D - 41 P - 186 X - 240



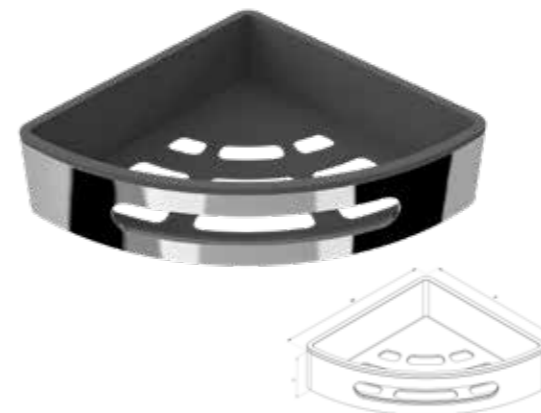
### CORNER BASKET SOAP DISH

NH50 - W - 138 D - 29 P - 138 X - 176



### SQUARE BASKET SOAP DISH

NH53 - W - 135 D - 33 P - 95



### CORNER SOAP BASKET WITH GREY ABS INNER BASKET

NH87 - W - 315 D - 65 P - 230

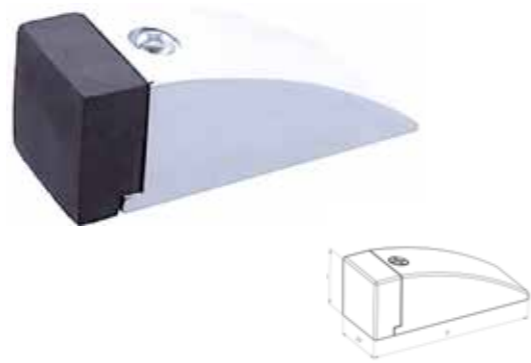


### SQUARE SOAP BASKET WITH GREY ABS INNER BASKET

NH88 - W - 280 D - 65 P - 140



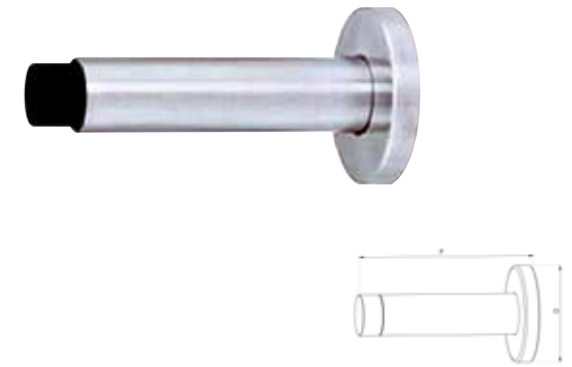
**DOORSTOP (FLOOR-MOUNTED)**  
 NH51 - D - 31.5 P - 64



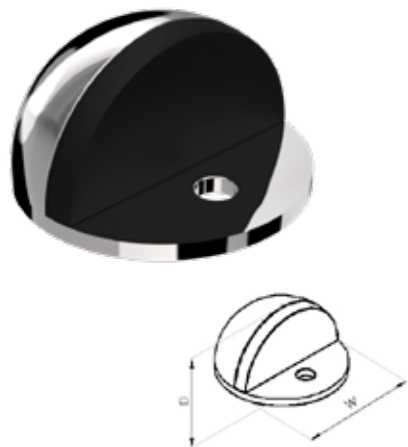
**DOORSTOP (FLOOR-MOUNTED)**  
 QU52 - W - 28 D - 28 P - 77



**DOORSTOP (WALL-MOUNTED)**  
 NH52 - D - 31.5 P - 115



**DOORSTOP (WALL-MOUNTED)**  
 NH79 - D - 45 P - 81



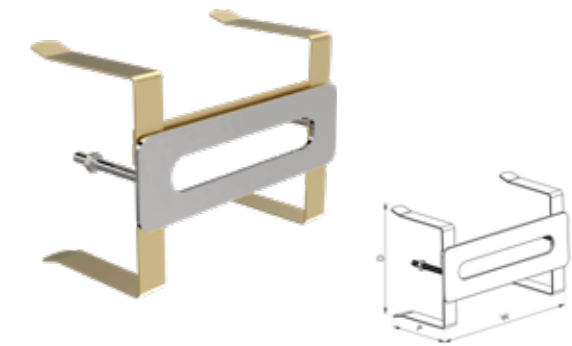
**DOORSTOP (FLOOR-MOUNTED)**  
 NH78 - D - 27 Ø - 47



**DOORSTOP (FLOOR-MOUNTED)**  
 SC23 - D - 46 Ø - 25



**DOORSTOP (FLOOR-MOUNTED)**  
 NH80 - D - 35 P - 40



**RECESSED TISSUE DISPENSER**  
 NH27  
 FRAME: W - 157 D - 118 P - 82  
 FRONT: W - 164 D - 51



**RETRACTABLE CLOTHES LINE**  
 NH28 CATCH - W - 33 D - 67 P - 6  
 NH28 LINE - W - 92 P - 56 CORD LENGTH 2.7M



# WATERBURY PRODUCT LIST

PRODUCT	CODE	PAGE NO.
<b>GRAB RAILS</b>		
Presto	PST12	15
Presto	PST13	15
Presto	PST14	15
Quadra	QU10	31
Science	SC14	37
Science	SC17	37
Science	SC19	37
Science	SC13	38
Science	SC42	38
Project	DPR11	42
Project	DPR12	42
Project	DPR13	42
Voda	VA02	46
Voda	VA03	46
Voda	VA14	46
Voda	VA19	46
Voda	VA42	46
Hotel	NH109	49
Hotel	NH09	51
Hotel	NH10	51
Hotel	NH11	51
Hotel	NH13	51
Hotel	NH14	51
Hotel	NH42	51
Proteus	PR02	59
Proteus	PR03	59
Universal	TL09	65
Universal	TL10	65
Universal	TL11	65
<b>TOWEL RAILS/BARS</b>		
Isamar	IS03	13
Isamar	IS06	13
Isamar	IS07	13
Isamar	IS10	13
Presto	PST02	15
Presto	PST03	15
Presto	PST06	15
Atlantis	ATL08	29
Atlantis	ATL23	29
Atlantis	ATL06	30
Atlantis	ATL07	30
Quadra	QU06	33
Quadra	QU16	33
Science	SC03	37
Science	SC04	37

Science	SC06	37
Science	SC07	37
Science	SC26	37
Project	DPR06	41
Project	DPR07	42
Voda	VA05	45
Voda	VA06	45
Hotel	NH03	51
Hotel	NH04	51
Hotel	NH06	51
Hotel	NH07	51
Hotel	NH44	51
Essential	EST03	61
Essential	EST06	61
Essential	EST23	61
<b>TOWEL RINGS</b>		
Isamar	IS08	11
Presto	PST08	15
Quadra	QU08	34
Science	SC08	37
Project	DPR16	43
Hotel	NH23	54
Essential	EST08	61
<b>DROP DOWN RAILS</b>		
Voda	VA01	46
Proteus	PR01	59
<b>DETACHABLE DROP DOWN ARM / RAILS</b>		
Project	DPR30	43
Project	DPR31	43
Project	DPR32	43
Project	DPR33	43
<b>ROBE HOOKS</b>		
Isamar	IS05	11
Presto	PST05	16
Presto	PST07	16
Atlantis	ATL11	28
Atlantis	ATL05	30
Quadra	QU05	34
Quadra	QU07	34
Science	SC05	39
Project	DPR05	42
Project	DPR21	42
Project	DPR29	42
Voda	VA04	45

Hotel	NH25	53
Hotel	NH48	53
Hotel	NH49	53
Hotel	NH82	53
Hotel	NH83	53
Hotel	NH79A	53
Essential	EST05	62
Essential	EST13	62
Essential	EST21	62
<b>SHOWER RAILS &amp; ACCESSORIES</b>		
Science	SC24	37
Science	SC30	39
Hotel	NH108	49
Hotel	NH63	54
Hotel	NH29	56
Hotel	NH30	56
Hotel	NH31	56
Hotel	NH32	56
Hotel	NH33	56
Hotel	NH34	57
Hotel	NH36	57
Hotel	NH37	57
Hotel	NH38	57
Hotel	NH39	57
Hotel	NH72	57
<b>TOILET ROLL HOLDERS</b>		
Isamar	IS21	11
Isamar	IS04	12
Isamar	IS11	12
Isamar	IS16	12
Isamar	IS20	12
Presto	PST04	16
Presto	PST11	16
Presto	PST16	17
Presto	PST20	17
Atlantis	ATL25	29
Atlantis	ATL30	29
Atlantis	ATL35	29
Atlantis	ATL04	30
Atlantis	ATL21	30
Atlantis	ATL22	30
Quadra	QU04	34
Quadra	QU20	34
Quadra	QU21	34
Science	SC20	38
Science	SC21	38

Science	SC25	38
Project	DPR04	43
Project	DPR22	43
Voda	VA16	45
Voda	VA20	45
Hotel	NH16	55
Hotel	NH17	55
Hotel	NH20	55
Hotel	NH43	55
Hotel	NH60	55
Hotel	NH15	56
Hotel	NH18	56
Hotel	NH19	56
Hotel	NH46	56
Essential	EST25	61
Essential	EST04	63
Essential	EST16	63
Essential	EST17	63
Essential	EST20	63
<b>SHELVES</b>		
Isamar	IS09	11
Presto	PST09	15
Atlantis	ATL02	28
Atlantis	ATL03	28
Atlantis	ATL52	28
Atlantis	ATL53	28
Quadra	QU02	33
Quadra	QU03	33
Quadra	QU09	33
Science	SC09	39
Project	DPR09	42
Voda	VA09	45
Hotel	NH62	55
Essential	EST09	62
<b>VANITY/SHAVING MIRRORS</b>		
Vanity Mirrors	MR02BT	23
Vanity Mirrors	MR03-B	23
Vanity Mirrors	MR04BT	23
Vanity Mirrors	MR05BT	23
Vanity Mirrors	NH47	25
Shaving Mirrors	NH47L (D)	25
Shaving Mirrors	NH74L (D)	25
Shaving Mirrors	MR06	25
Shaving Mirrors	MR07	25

<b>TOWEL RACKS</b>		
Atlantis	ATL12	28
Quadra	QU12	34
Science	SC12	39
Science	SC15	39
Science	SC16	39
Voda	VA12	45
Hotel	NH01	52
Hotel	NH02	52
Hotel	NH100	52
Hotel	NH40	52
Hotel	NH41	52
Hotel	NH70	52
Hotel	NH71	52
Essential	EST18	61
<b>TISSUE DISPENSER</b>		
Hotel	NH55	54
Hotel	NH76	54
Hotel	NH81	54
Universal	NH27	67
<b>SANITARY BAG DISPENSER</b>		
Hotel	NH56	50
<b>SOAP BASKETS/DISHES</b>		
Atlantis	ATL50	28
Atlantis	ATL51	28
Science	SC01	39
Project	DPR15	43
Project	DPR23	43
Universal	NH26	65
Universal	NH50	65
Universal	NH53	65
Universal	NH87	65
Universal	NH88	65
<b>TOILET BRUSHES</b>		
Project	DPR20	43
Hotel	NH58	50
Essential	EST58	61
<b>PEDAL BINS</b>		
Hotel	NH57	50
Hotel	NH64	50

<b>DOORSTOPS</b>		
Universal	SC23	38
Universal	NH51	66
Universal	NH52	66
Universal	NH78	66
Universal	QU52	66
Universal	NH79	67
Universal	NH80	67
<b>HEATED TOWEL RAILS</b>		
Heated T. Rail	HTR01S	20
Heated T. Rail	HTR02S	20
Heated T. Rail	HTR03S	20
Heated T. Rail	HTR04S	20
Heated T. Rail	HTR06C	21
Heated T. Rail	HTR07S	21
Heated T. Rail	HTR08C	21
Heated T. Rail	HTR-CS1	21
<b>RETRACTABLE CLOTHES LINE</b>		
Universal	NH28	66
<b>SOAP BOTTLE DISPENSERS</b>		
Hotel	NH102	49
Hotel	NH102 ADJ	49
Hotel	NH103 ADJ	49
Hotel	NH103	49
Hotel	NH106 1	49
Hotel	NH106 2	49
Hotel	NH106 3	50

The products listed above are all featured in this brochure.

Please call our team for stock information or any other queries on +44 (0) 121 333 6062 or email sales@waterbury.co.uk



Certificate  
Number 14596  
ISO 9001

Waterbury Bathroom Accessories Ltd.

40 Great Lister Street, Nechells, Birmingham B7 4LS, United Kingdom



[sales@waterbury.co.uk](mailto:sales@waterbury.co.uk)

[www.waterbury.co.uk](http://www.waterbury.co.uk)

Tel: +44 (0)121 333 6062