

# REV ROOF TOP TENT

## INSTALL & USE INSTRUCTIONS

SKUS: 6OK3DP3, 6OK3SP3, 6OK3FP3, 6OK3ZP3,  
6OK3GC3, 6OK3EC13, 6OK3EM3

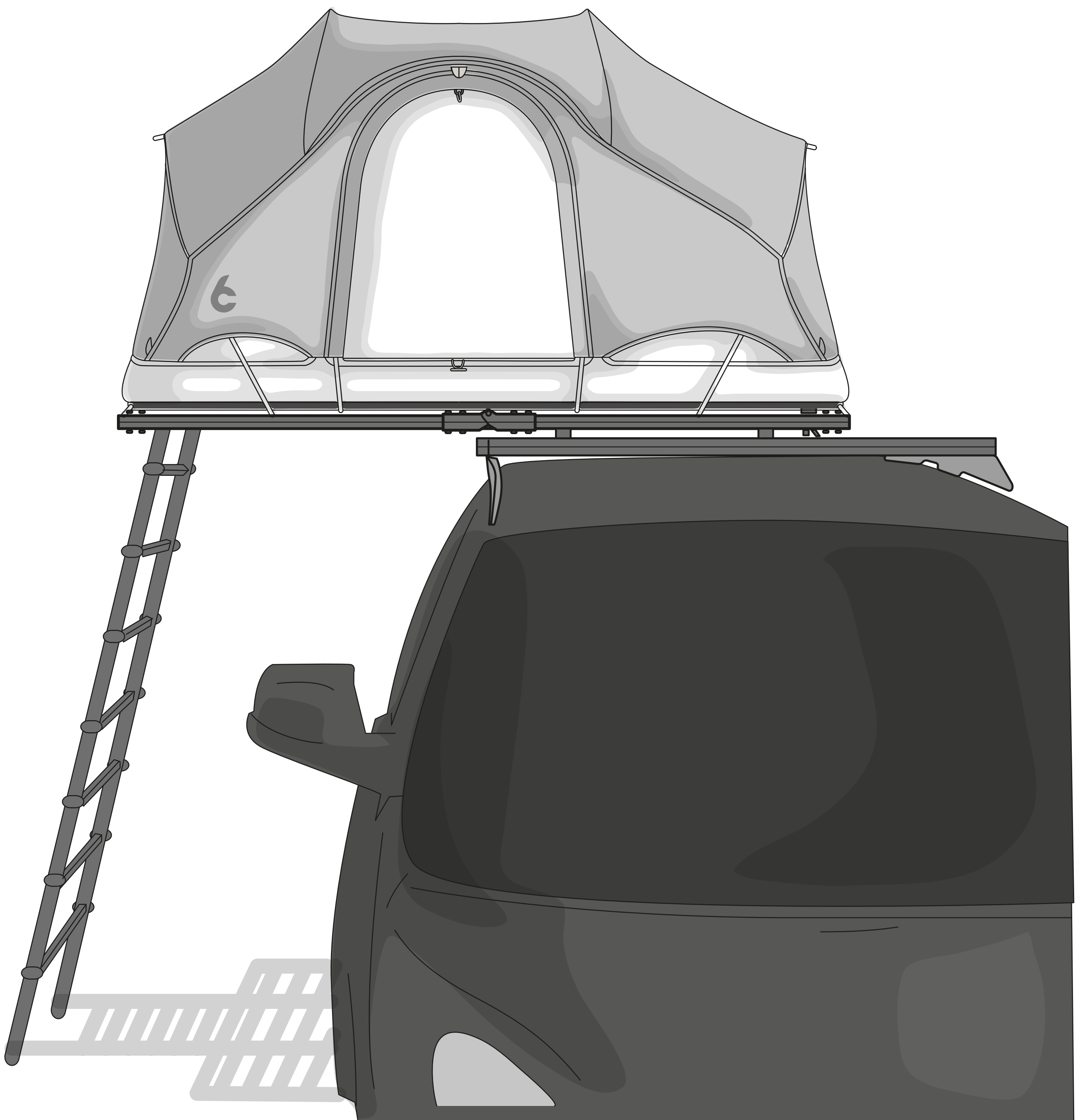
**ESTIMATED INSTALL TIME:** 10 minutes.



Read for proper assembly and safer travels. Especially these warnings!



Find helpful hints to help you get the most out of your C6 Outdoor gear.



# **IMPORTANT! PLEASE READ:**

## **FOR USE with LOAD / CROSS BARS:**

The bars must be straight. Bars with too much curve over the span, such as most OEM bars, are not compatible. While oval shaped bars can be used, square or rectangular bars offer best fit. Bars must have dimensions no wider than 10cm / 4" and no taller than 4cm / 1.5".

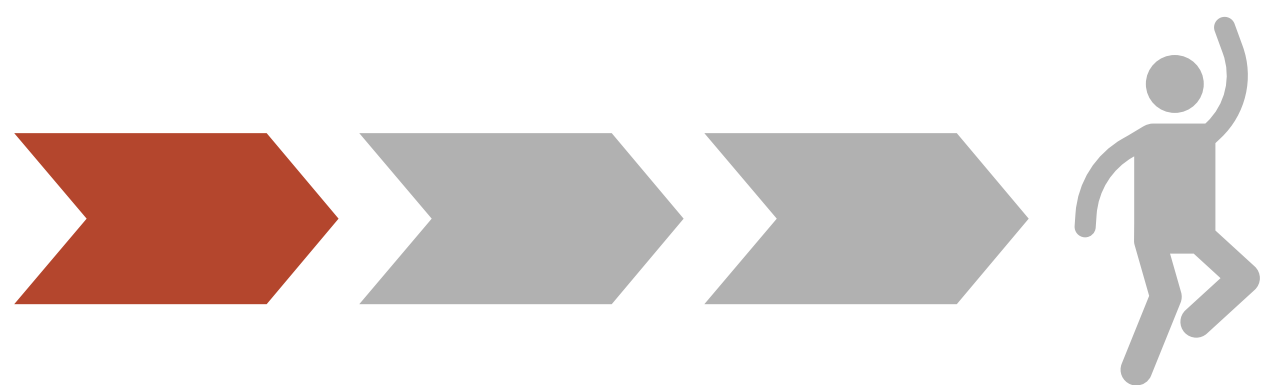
## **FOR USE WITH ROOF RACKS:**

Only compatible with flat deck style racks. A raised perimeter may interfere. If rack slats are larger than dimensions listed above for the cross bars, you may need additional mounting hardware. Please refer to the manufacturer of your roof rack for the recommended way to mount a roof top tent. The C6 Outdoor included hardware is about as 'universal' as it gets, but there are many different styles and sizes of roof racks and the C6 Outdoor included hardware may not work in all applications.

Failure to fully and properly follow these assembly and use instructions could result in injury and even death. Please be safe. If you have any questions or concerns, please ask on any of our support channels!

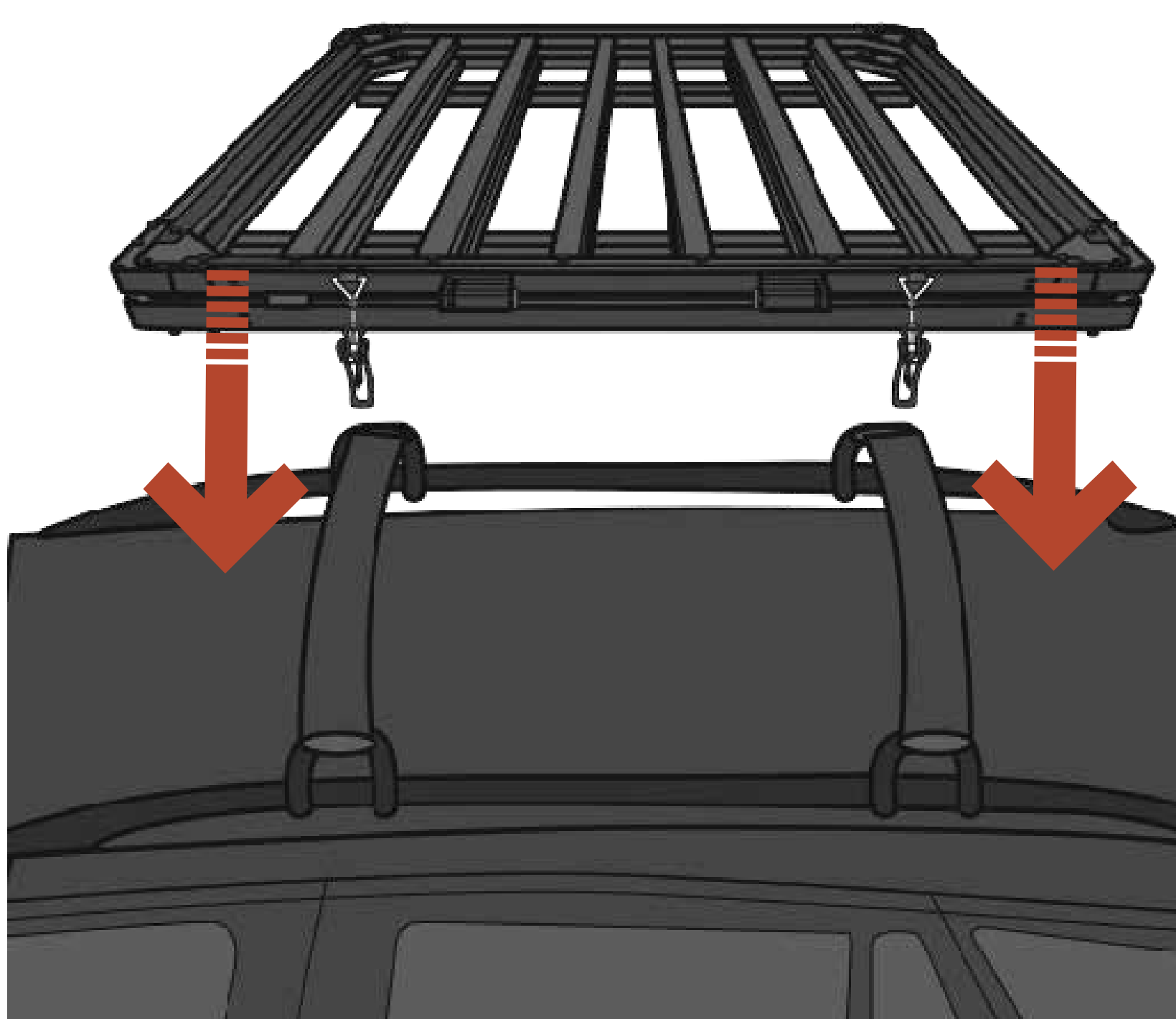
## **THE HARD TRUTH ABOUT WIND NOISE**

Because you are putting an object on your roof you may hear a whistling. This could happen with any roof rack, luggage bag, storage box, set of skis, etc. If you do hear a bothersome noise, please visit our help desk for suggestions to decrease any sound.



# ATTACH REV PLATFORM X

**SUMMARY** Set the Rev Platform X on your vehicle cross bars or platform style roof rack and attach using the brackets and hardware in **packet K**.



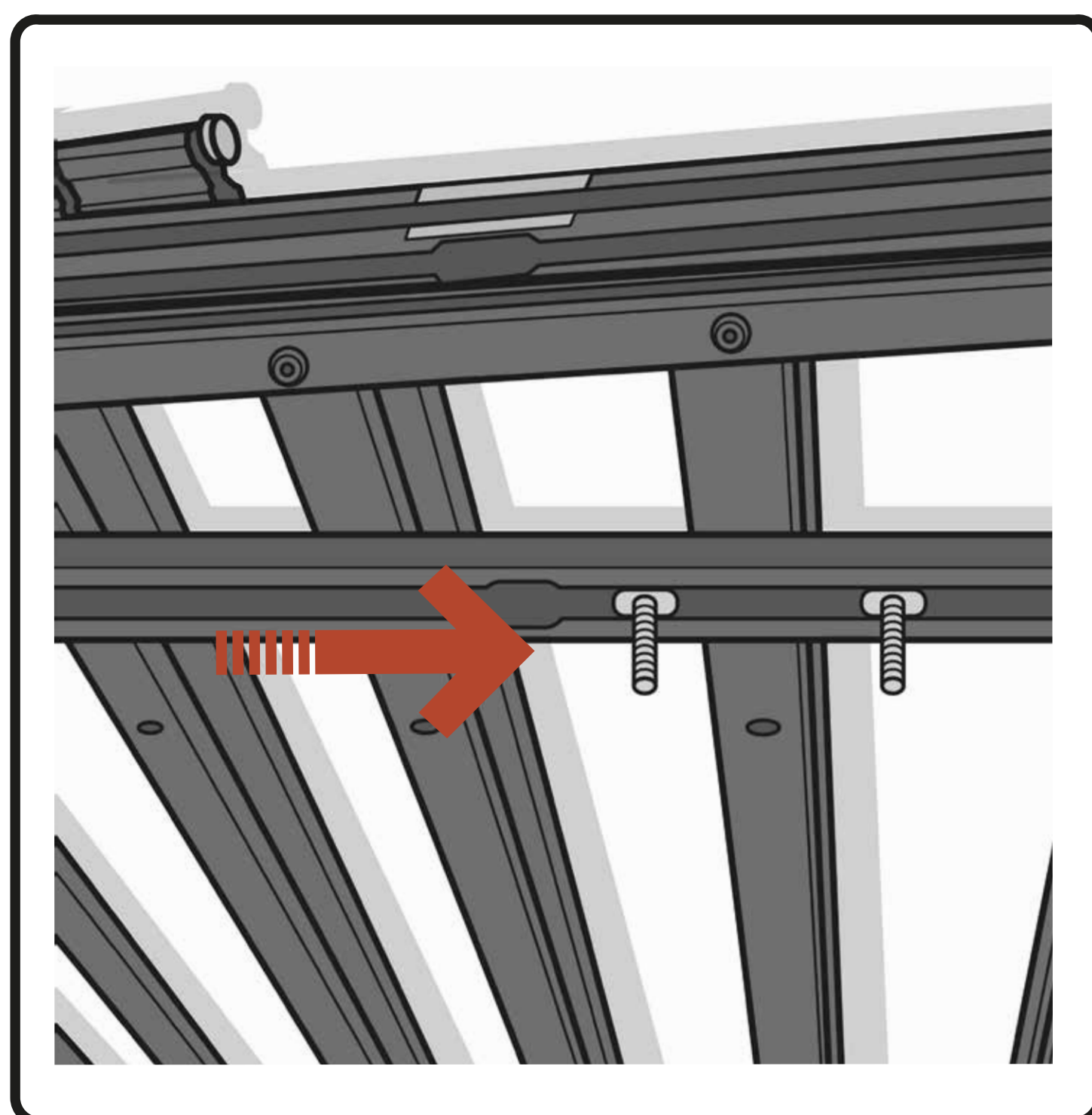
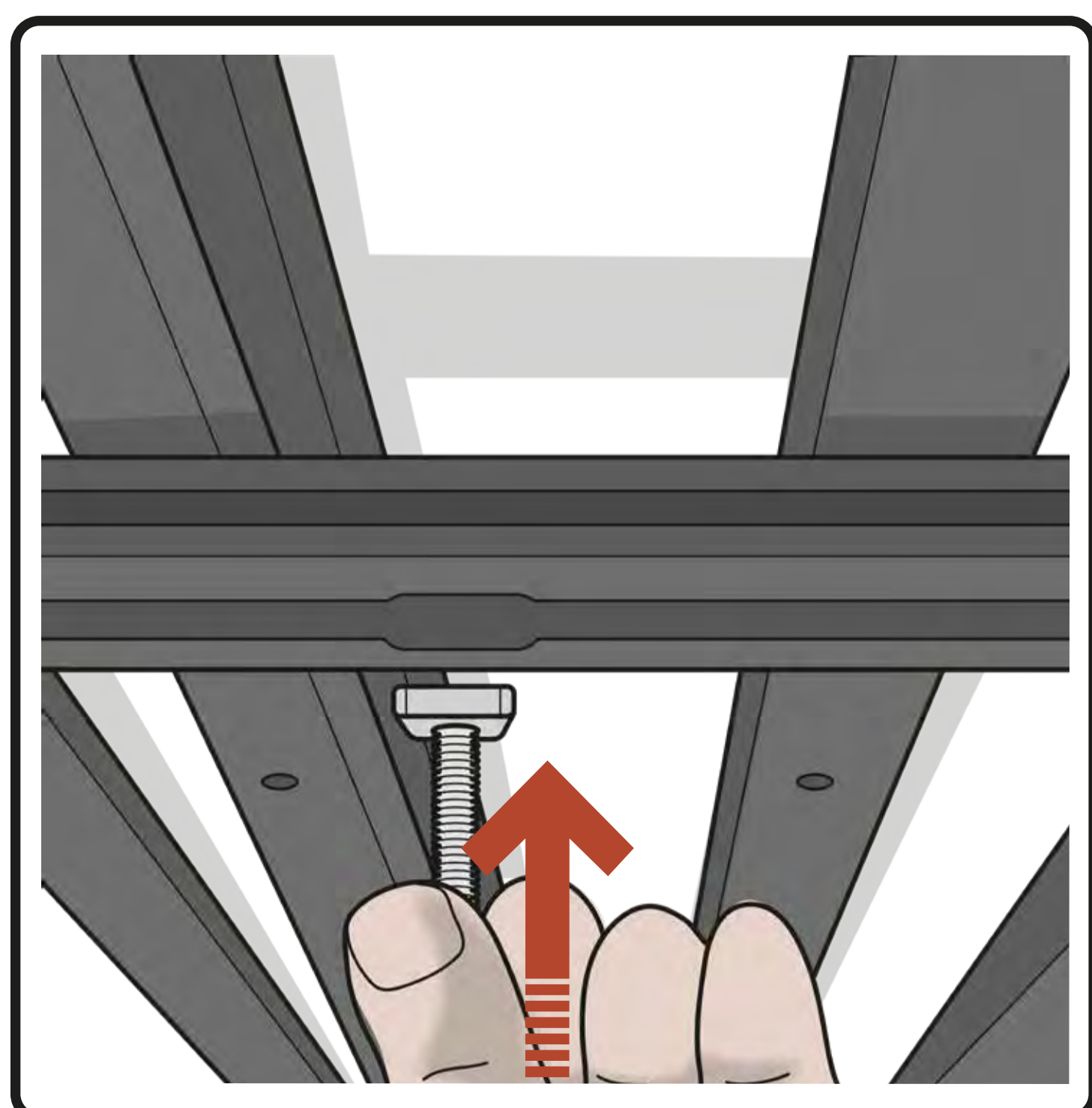
- Consider open position. The Rev Platform X opens towards the side with the hinges.
- Carefully lift platform on top of load/cross bars or rack.

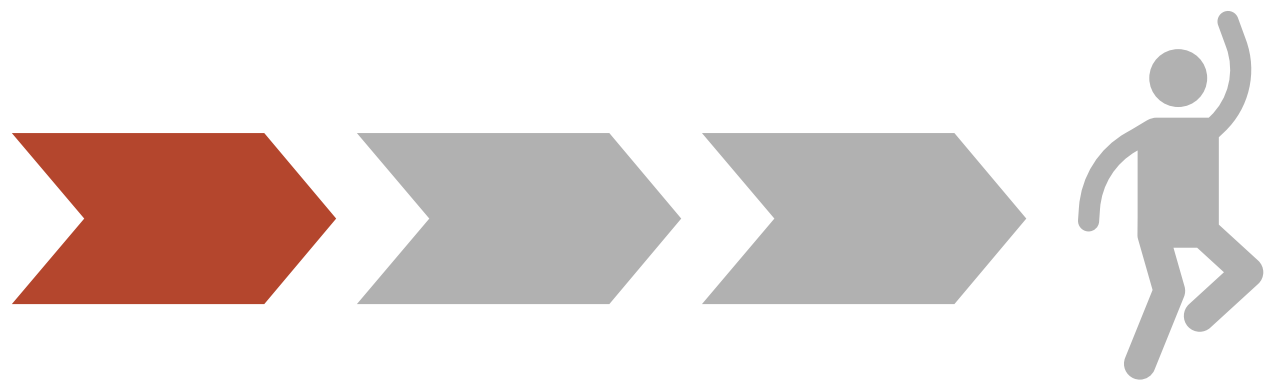


If you don't think you can position it alone, use a friend for safety.

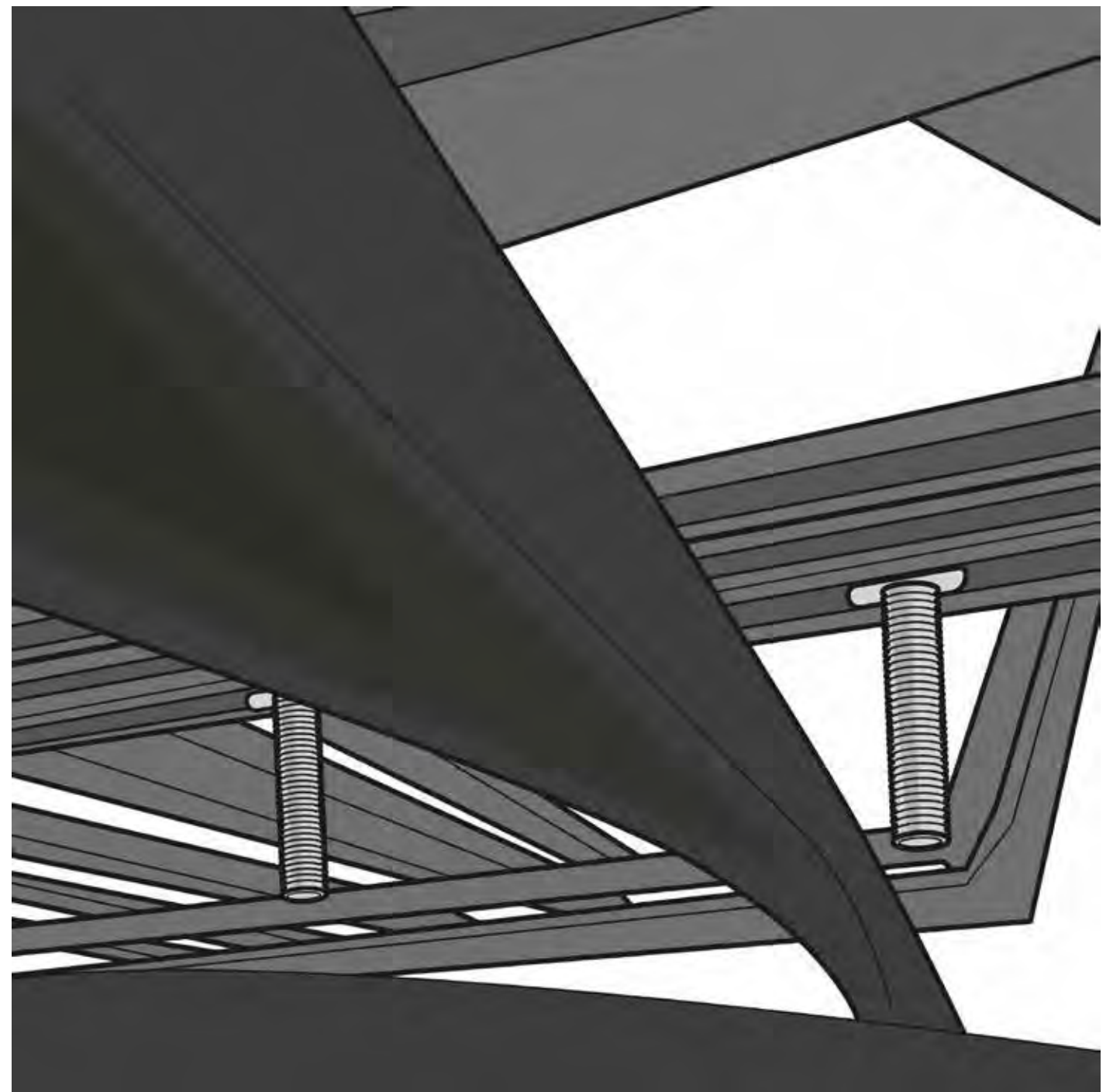


Platform track runs front to back of the vehicle.



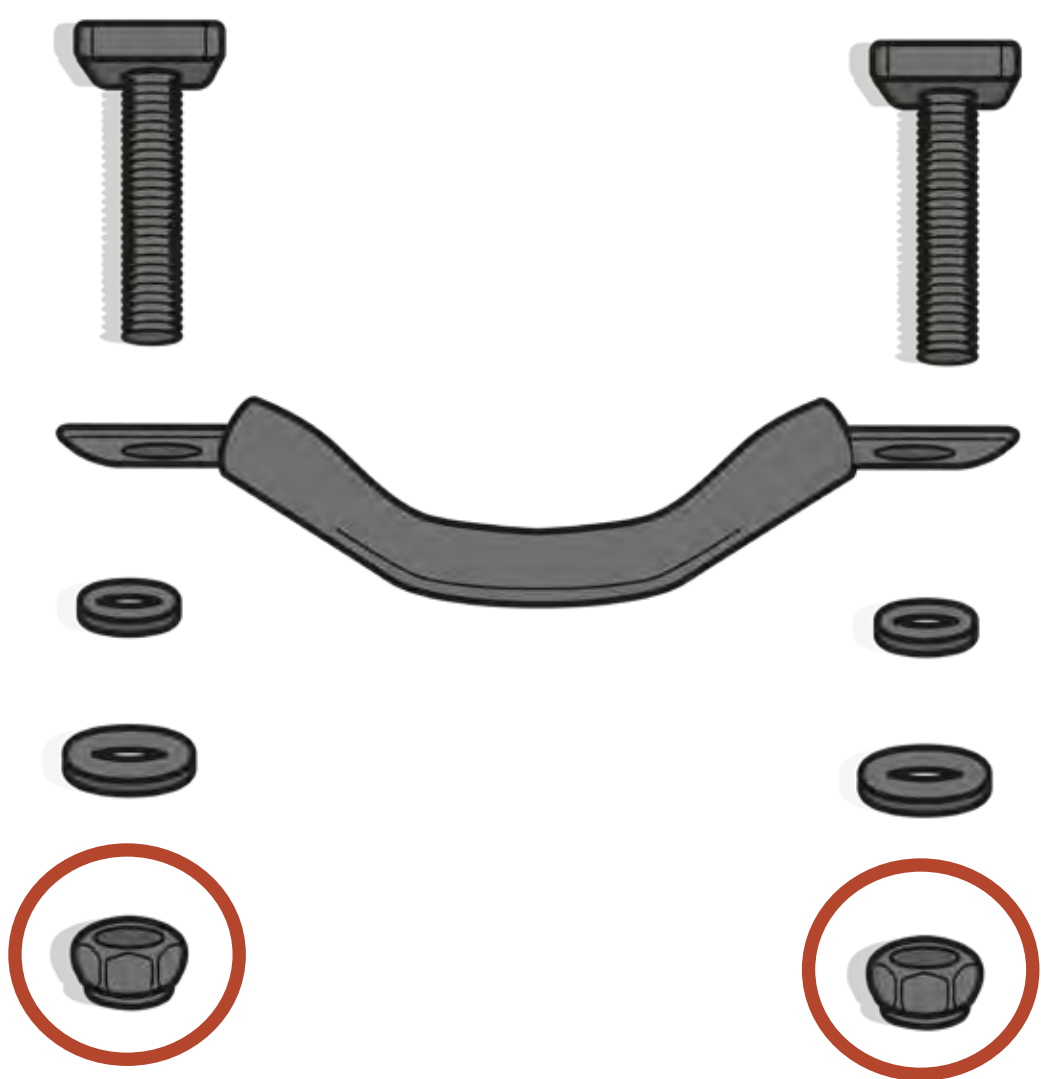


- Insert 4 bolts in to the bottom channel of each track. Use the center drop-in slot. Slide 2 to the front, 2 towards the back and straddle the cross bar / slat.

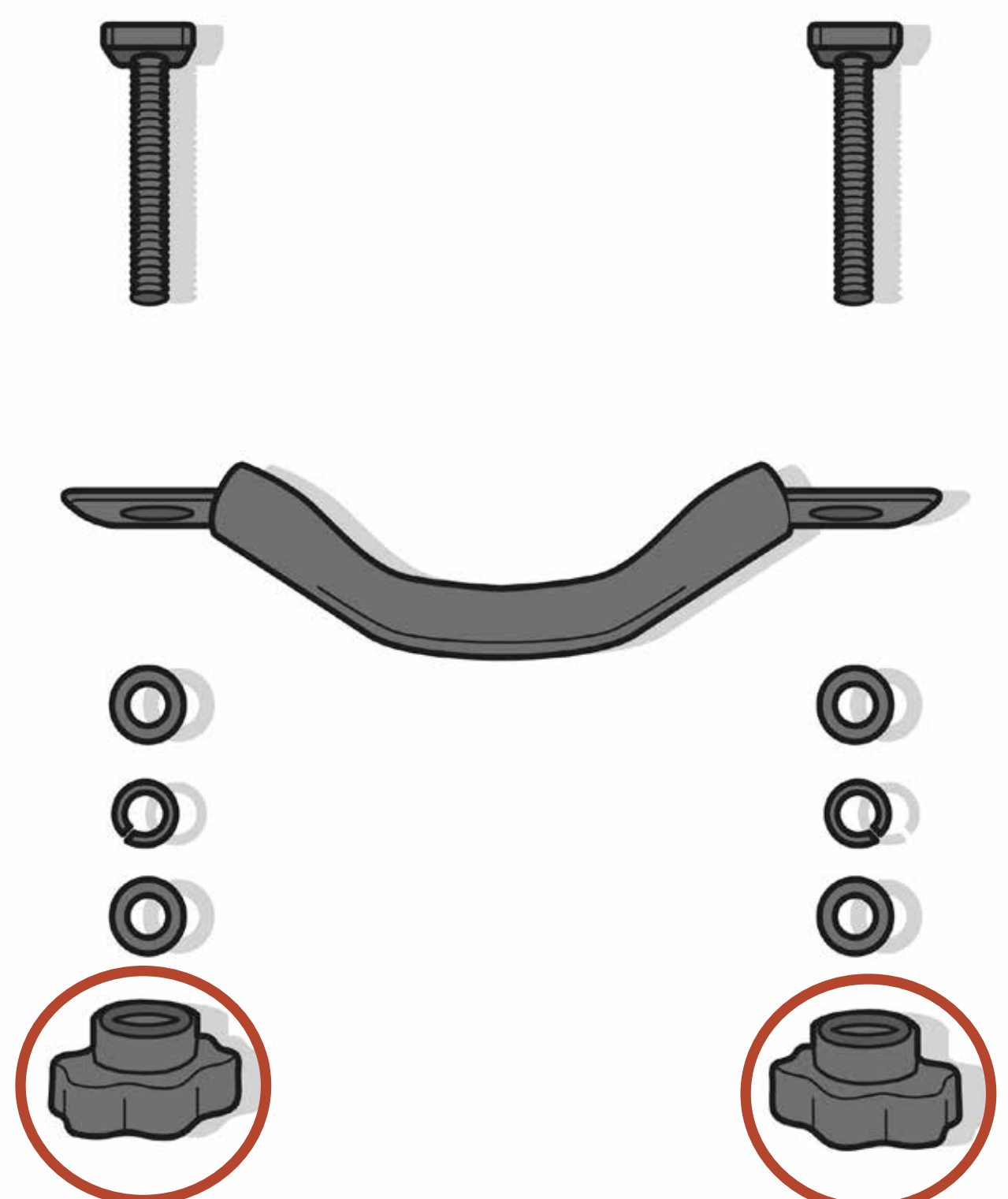


**i** Depending on the height of your cross bars or roof rack slats, you may need the longer bolts.

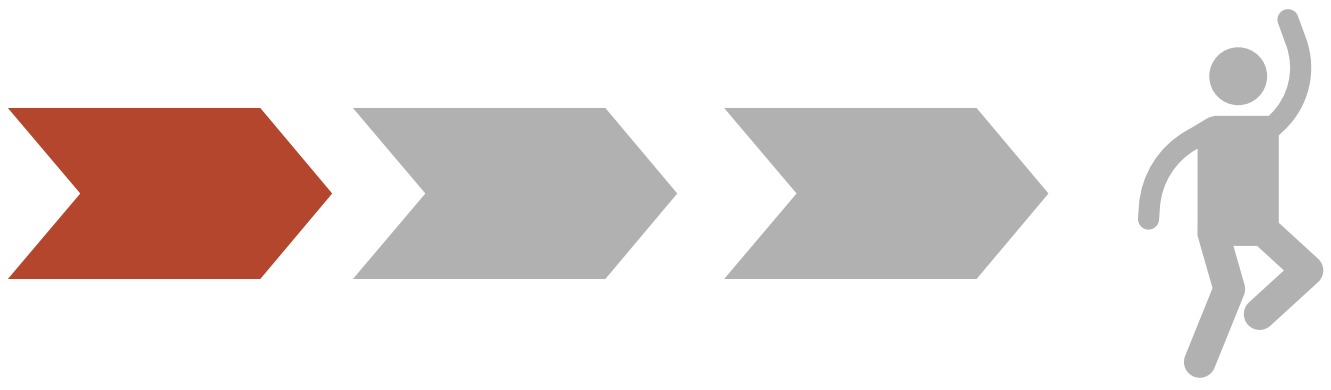
- There are 2 ways to fasten the platform to your vehicle.



Are you leaving your platform up for the entire camping season? If yes, use the **lock nuts**.

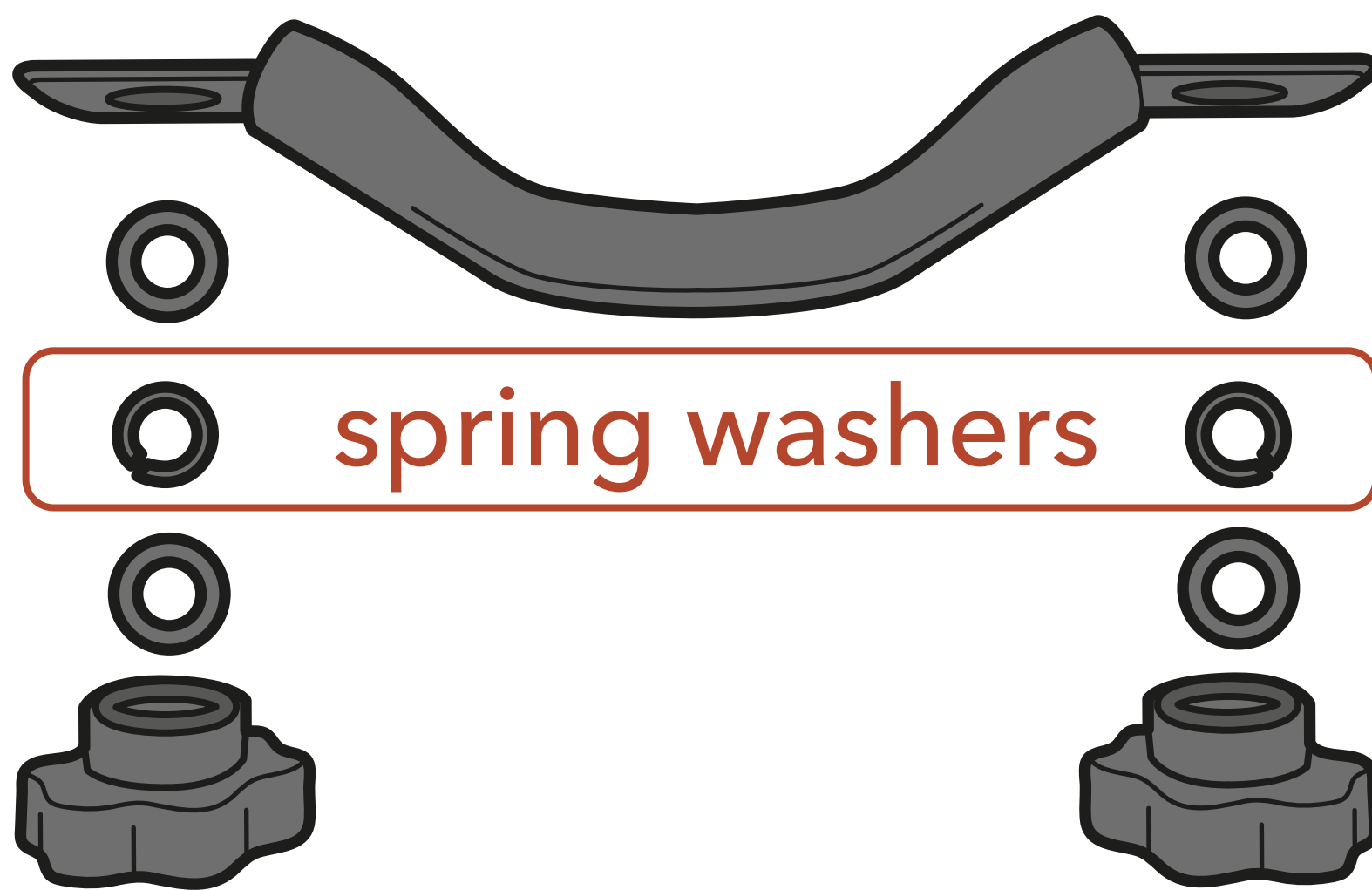


Will you be taking the platform off after your camping trips? If yes, use the plastic **knob nuts**. No tools necessary.

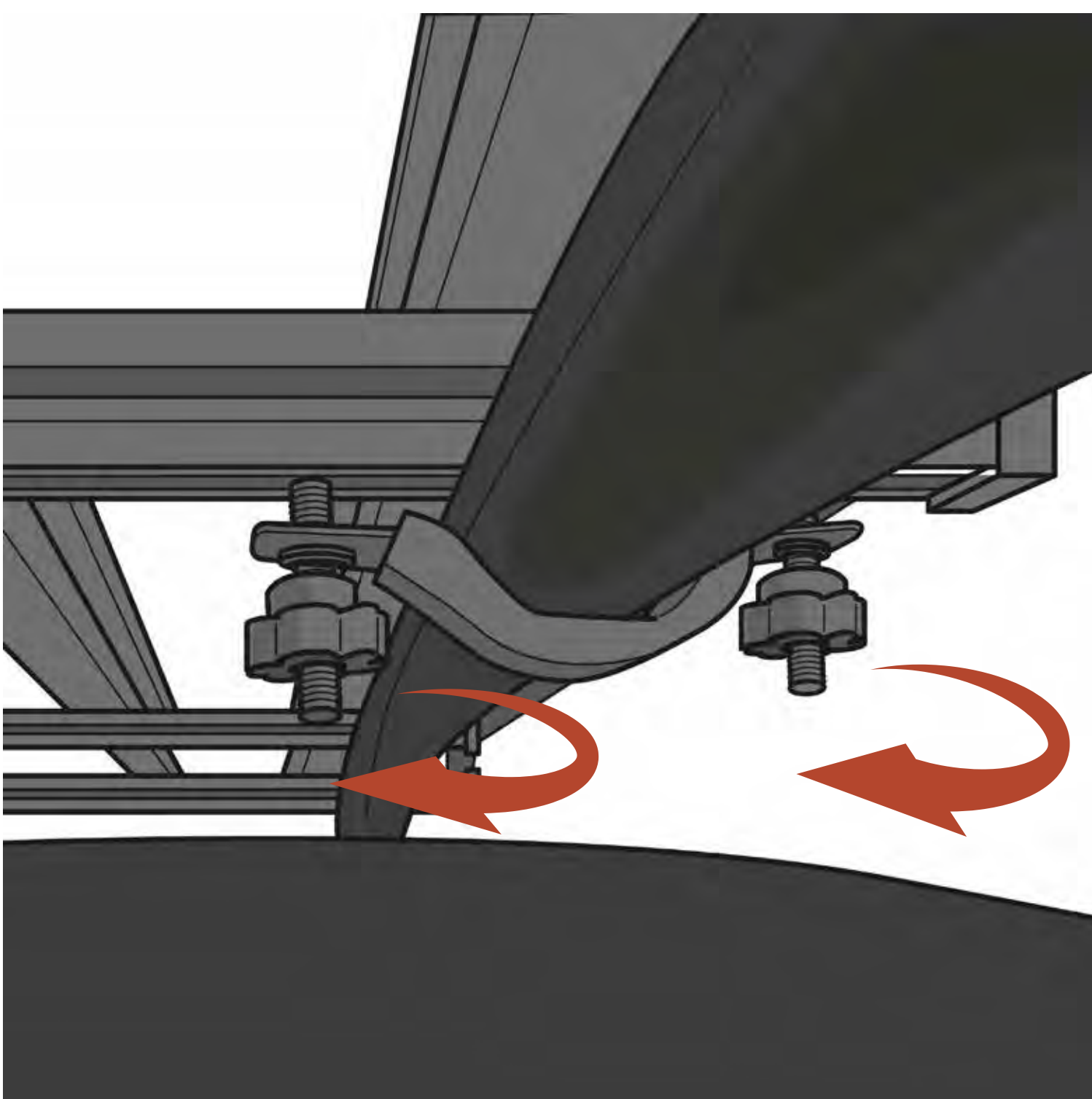


**DO NOT SKIP THIS! READ ME.**

When using the **plastic knob nuts**, you **MUST** use the **spring washers** in the configuration shown here. You **MUST** hand tighten firm. Use all your might. And then try again! And check the grip frequently.



If using the **lock nuts**, replace the supplied nuts with new M8 locking nuts after every 3-5 times the platform is re-installed. These nuts lose their “locking” properties over time when re-used. Please check regularly.

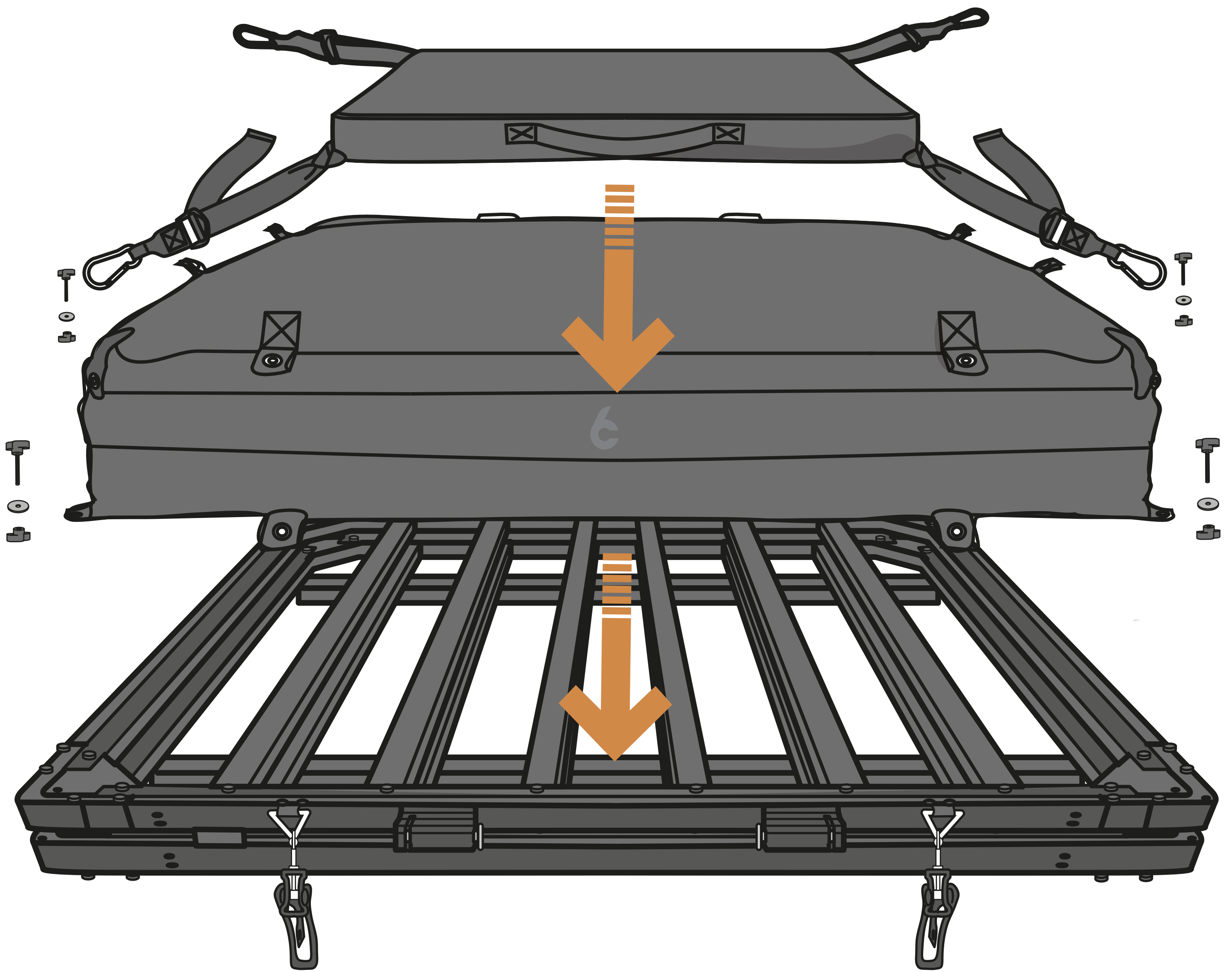


- Add 2 brackets per bar / slat. Follow washer placement instructions and tighten nuts. Check tightness regularly.

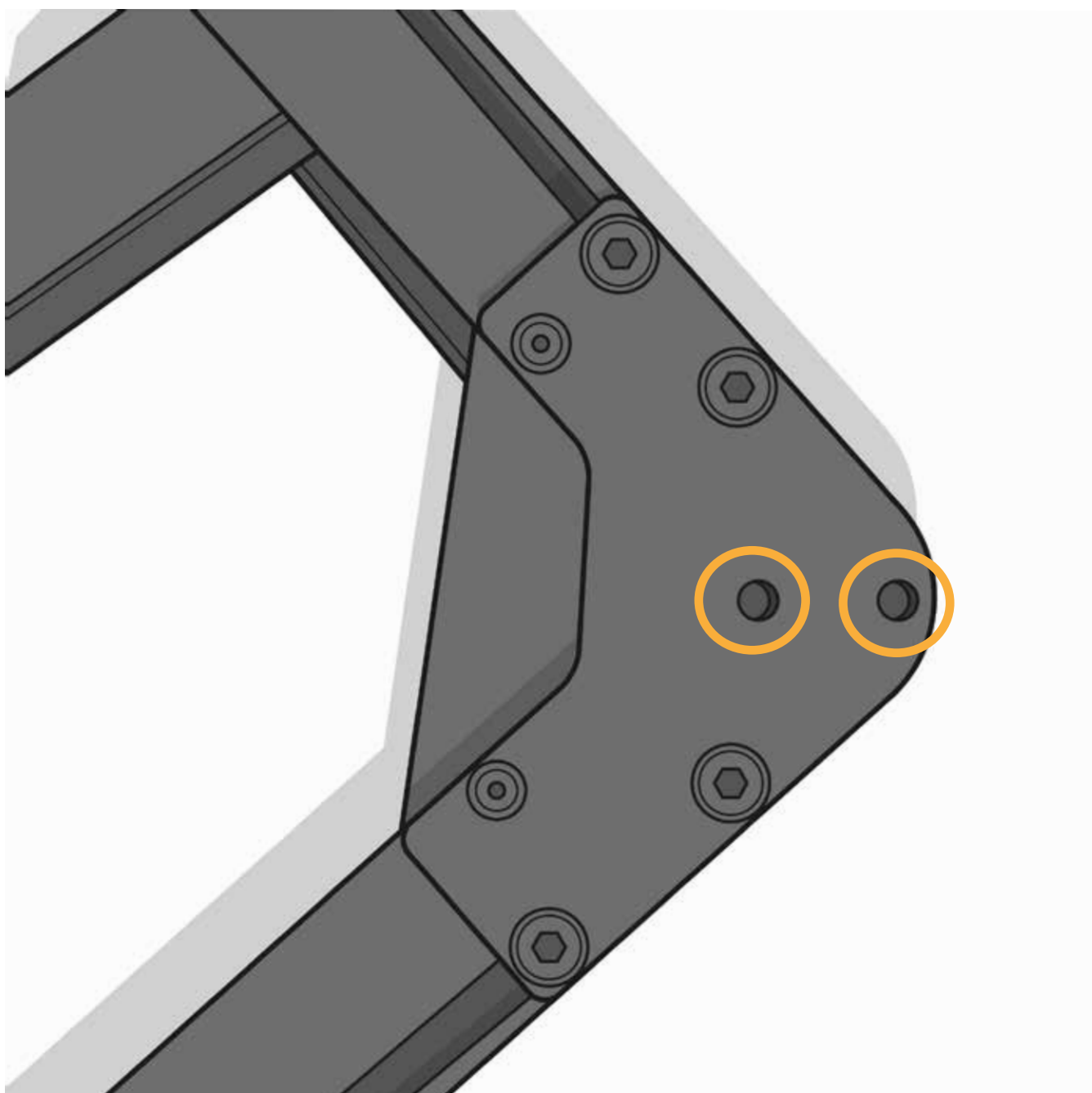
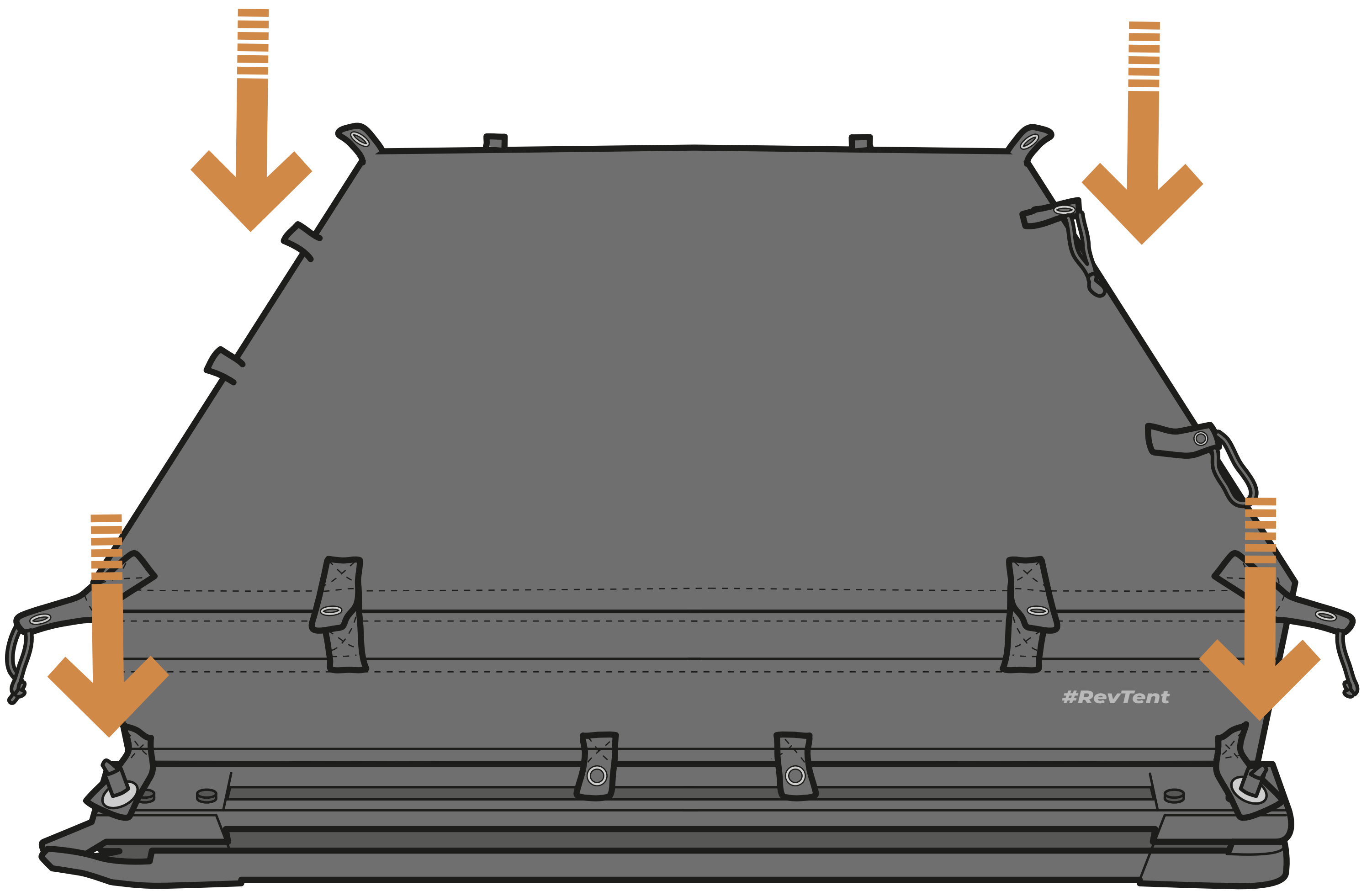
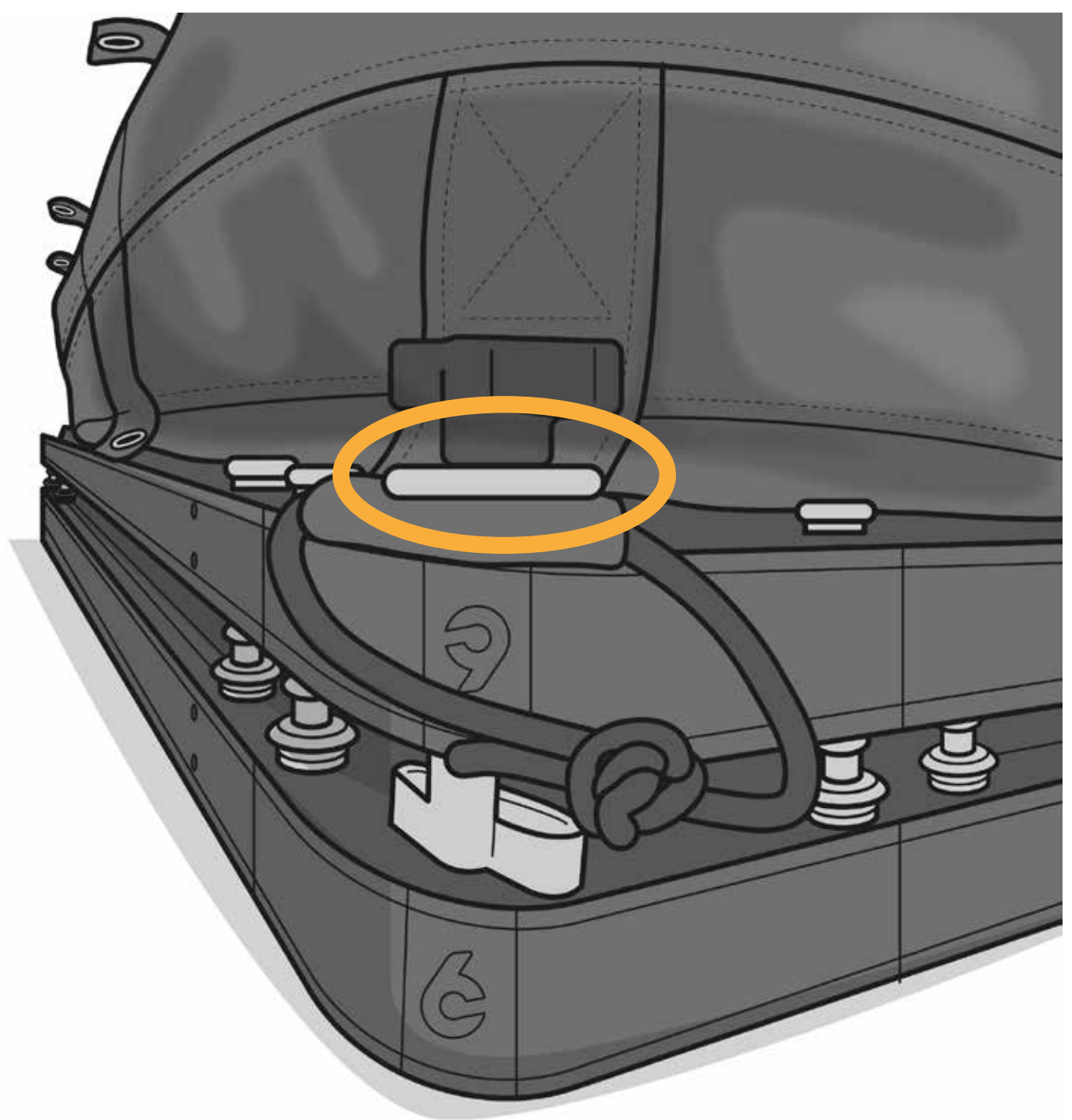
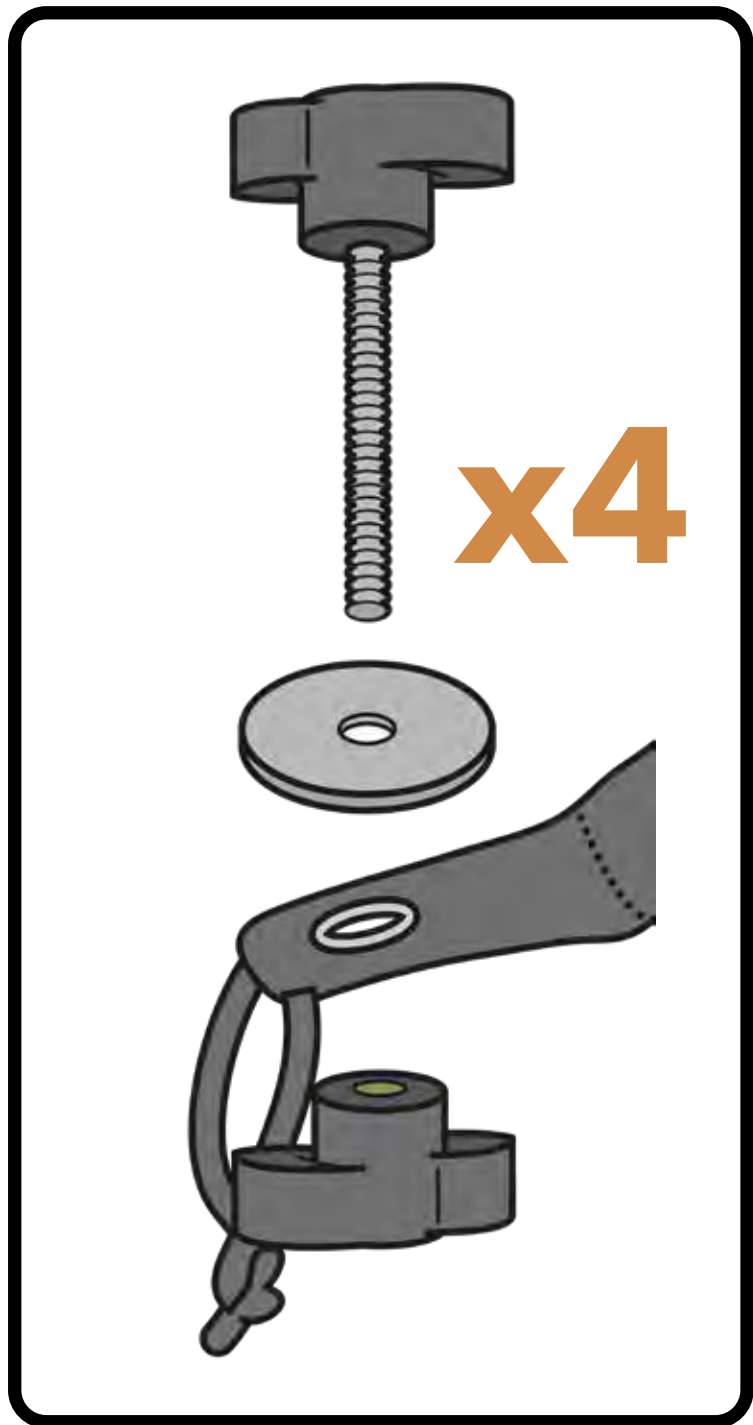


## ATTACH REV TENT

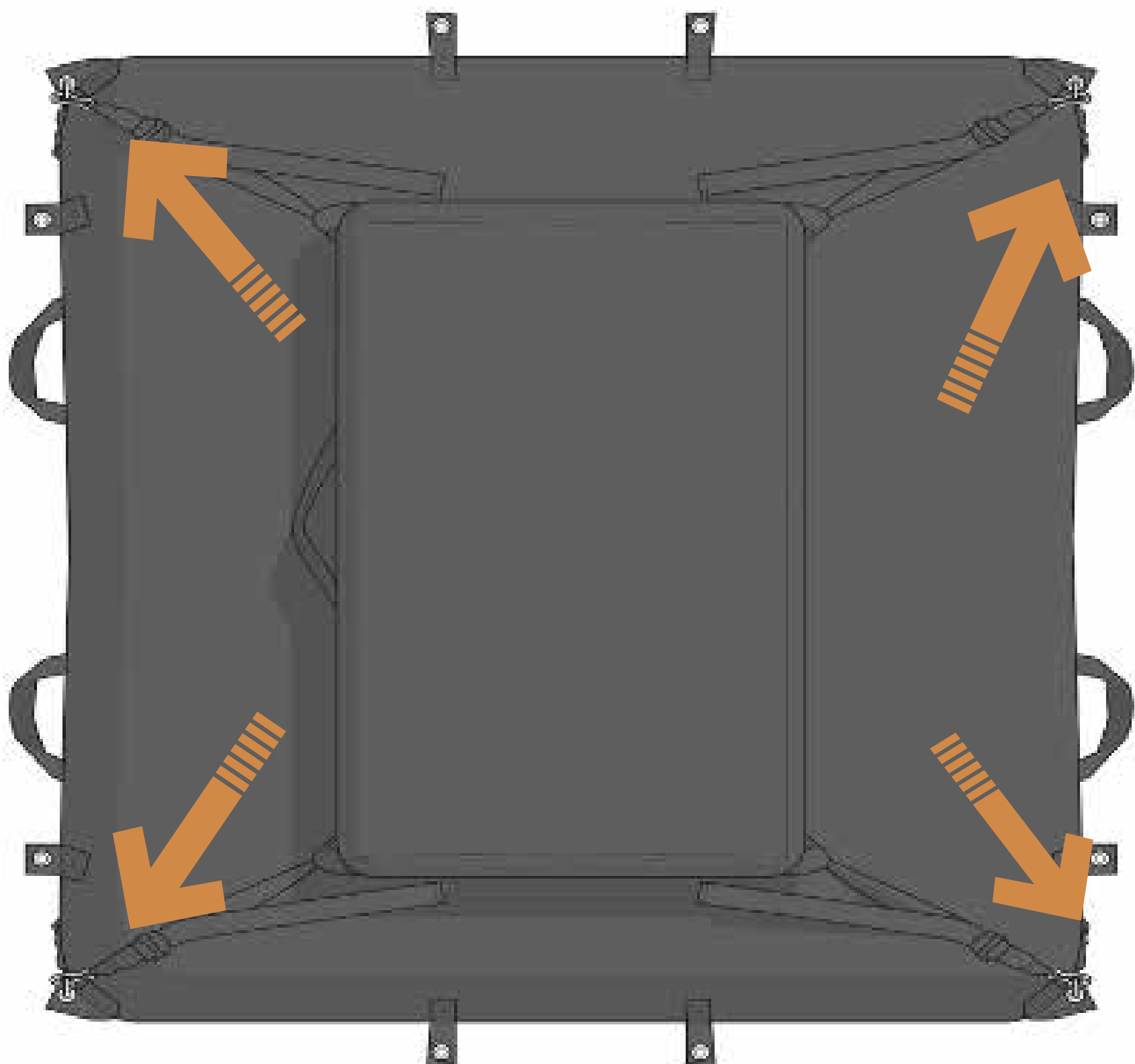
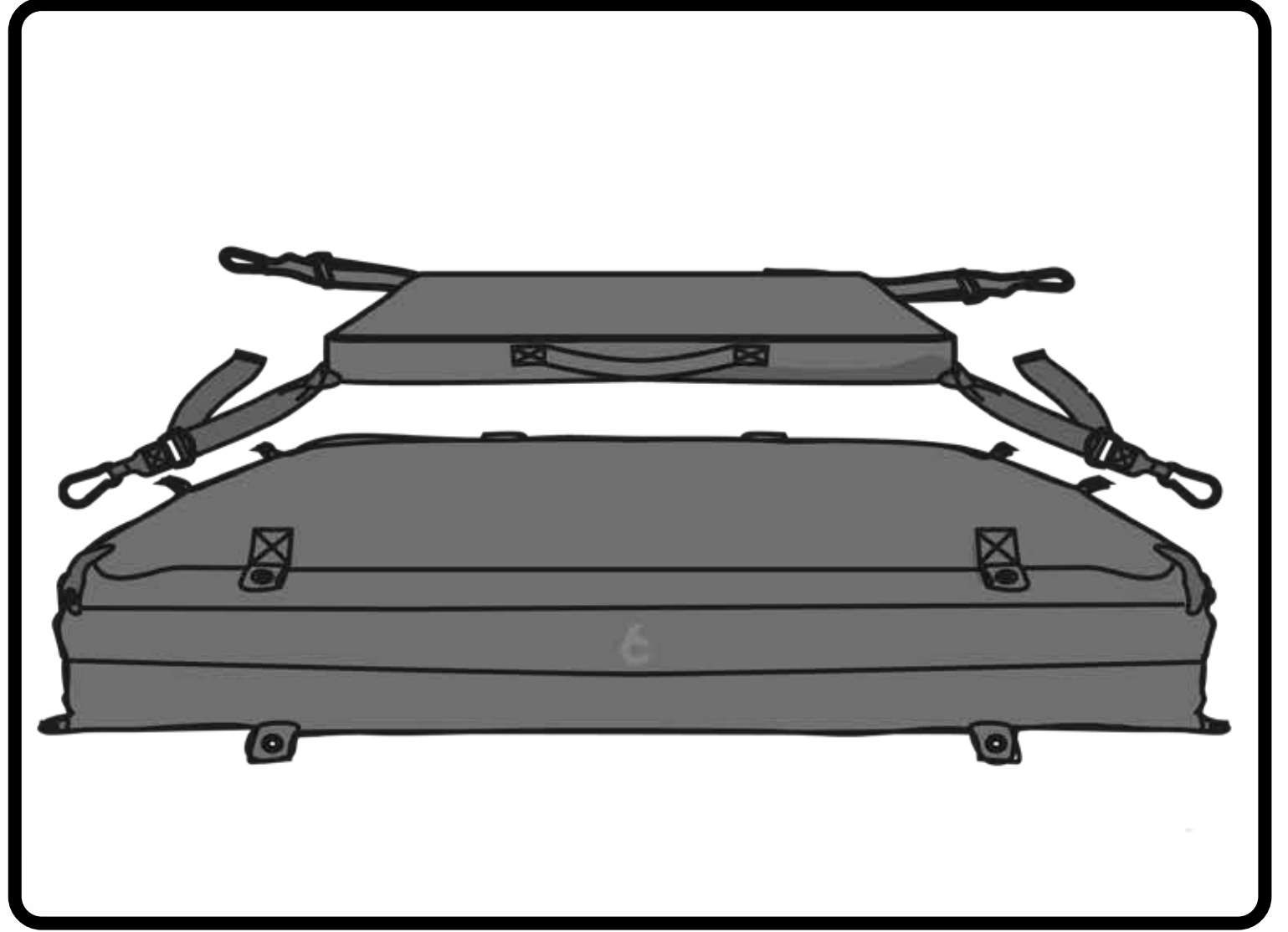
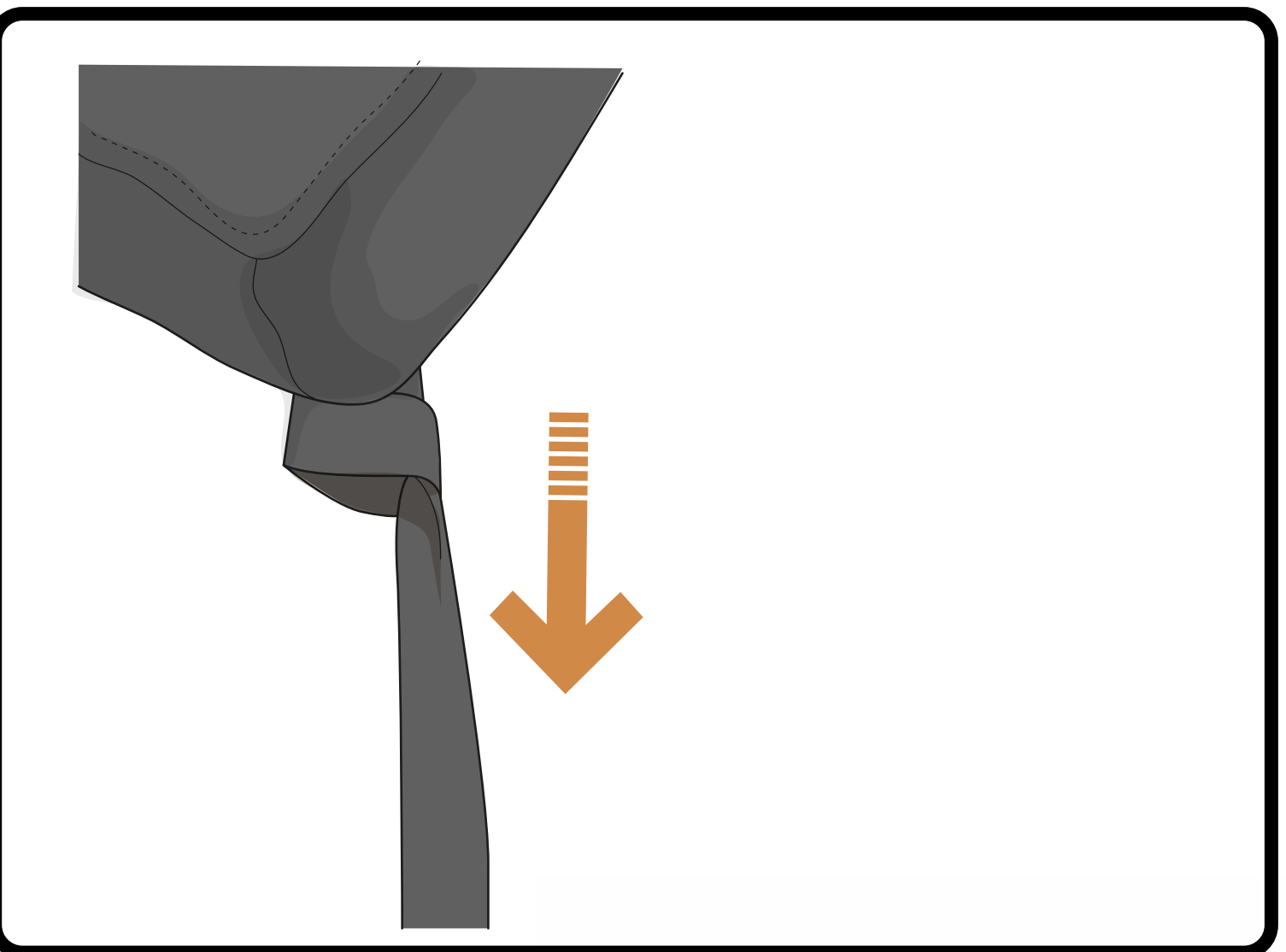
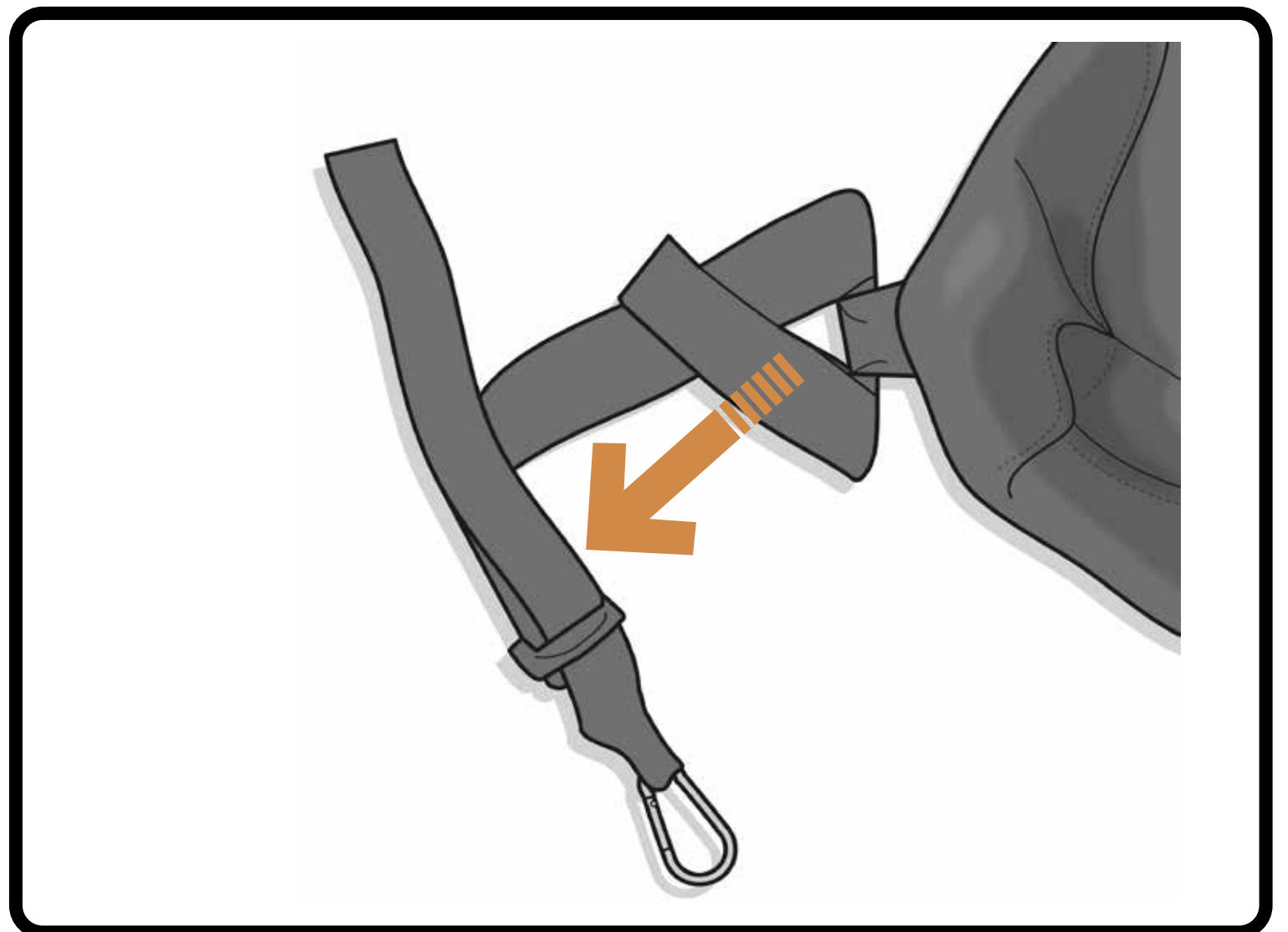
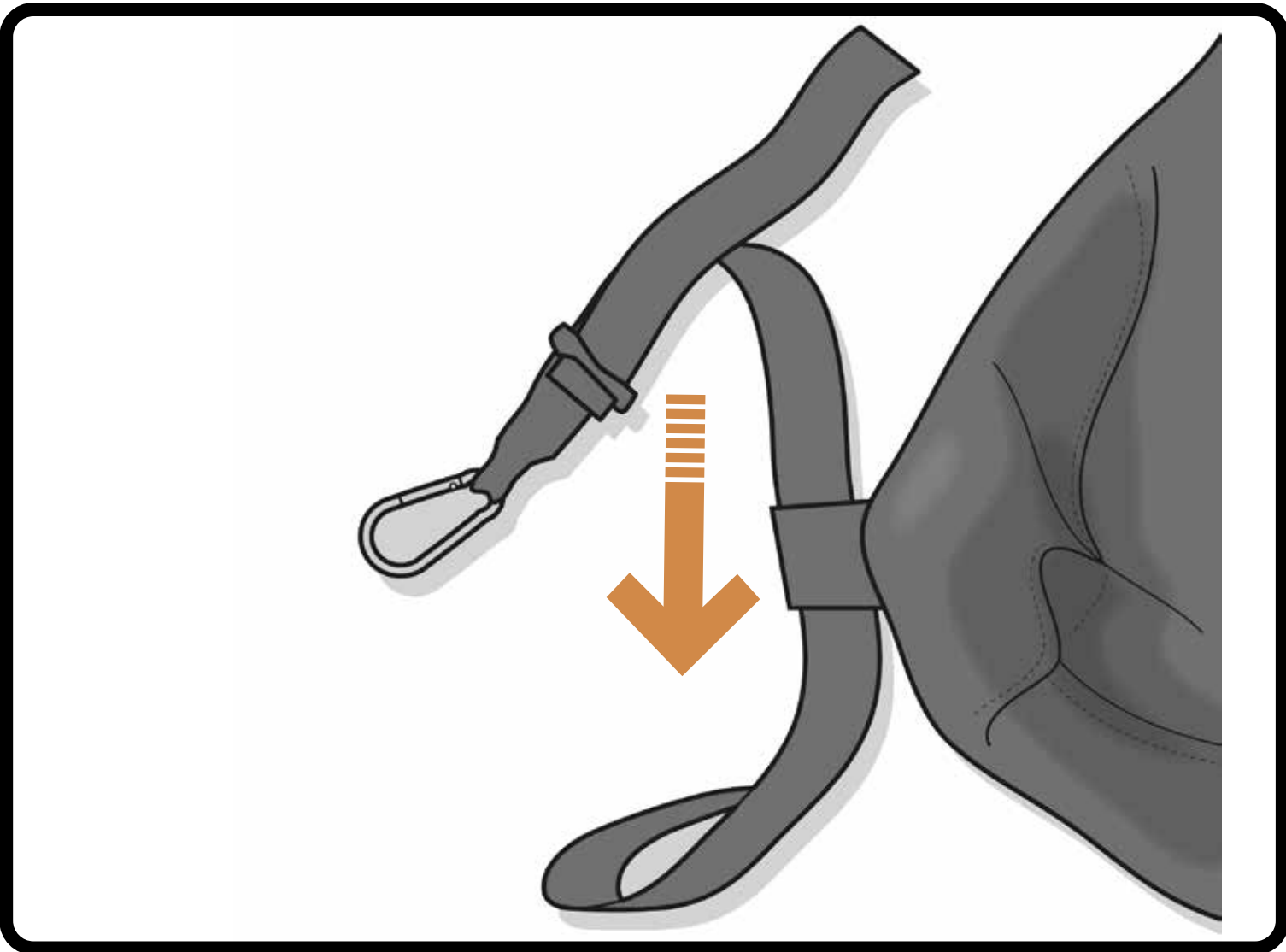
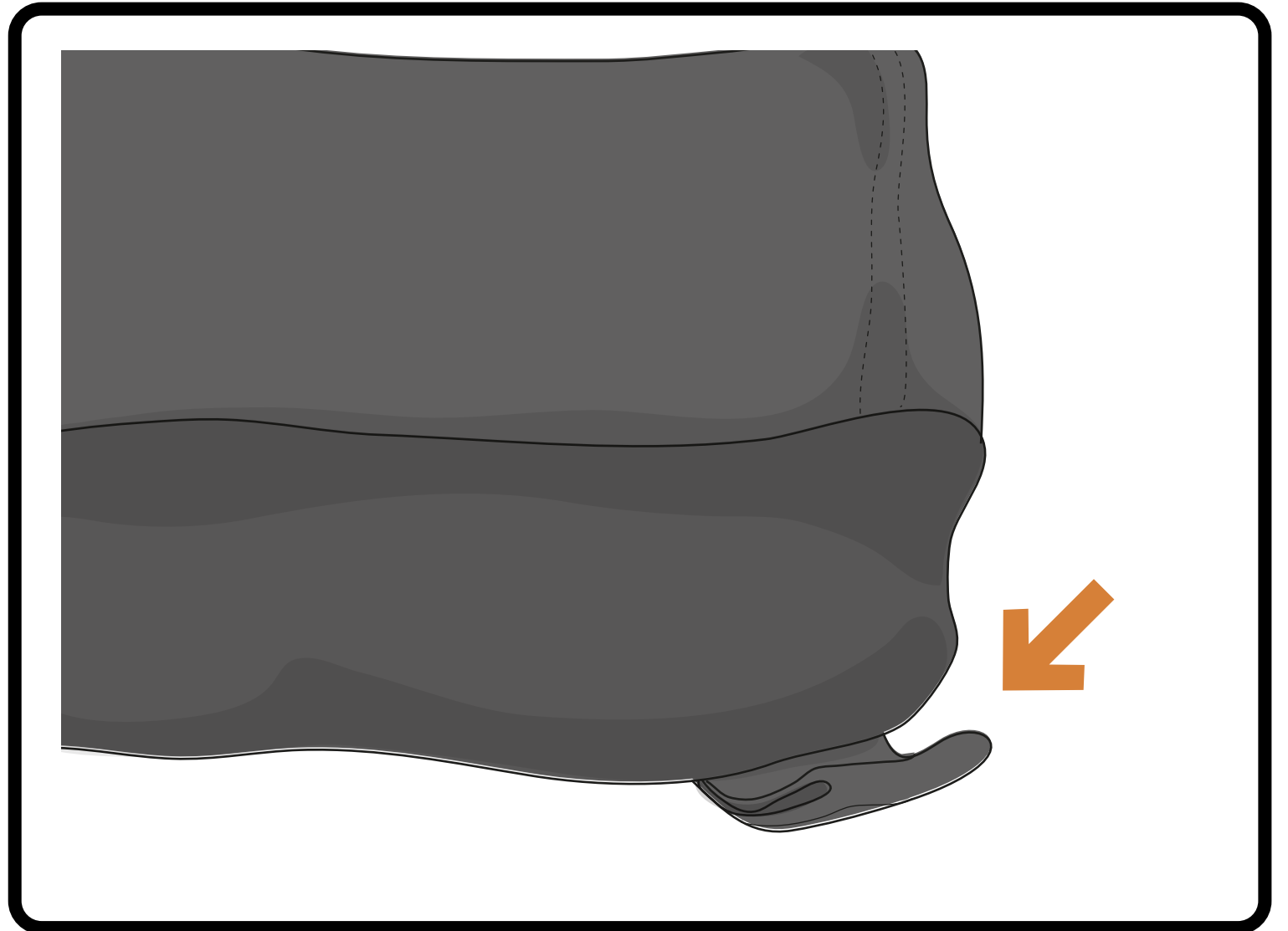
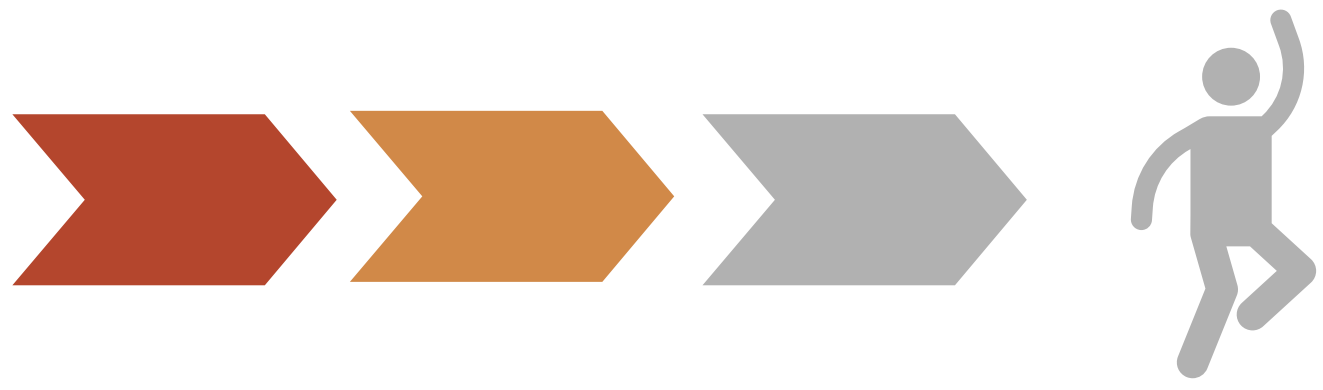
**SUMMARY** For transport bolt the Rev Tent to all 4 corners of the folded Rev Platform X using hardware from **packet L**. The Rev Ladder can be strapped on top in the Ladder Bag using the Rev Straps.



**i** If you have the space, you can also transport the tent and / or ladder in the bed of your truck or inside your vehicle to reduce drag, improve gas mileage and extend the life of your tent and ladder case. Do not transport Rev Ladder directly attached to Rev Platform.



- Use the hole that stretches the tent the most.



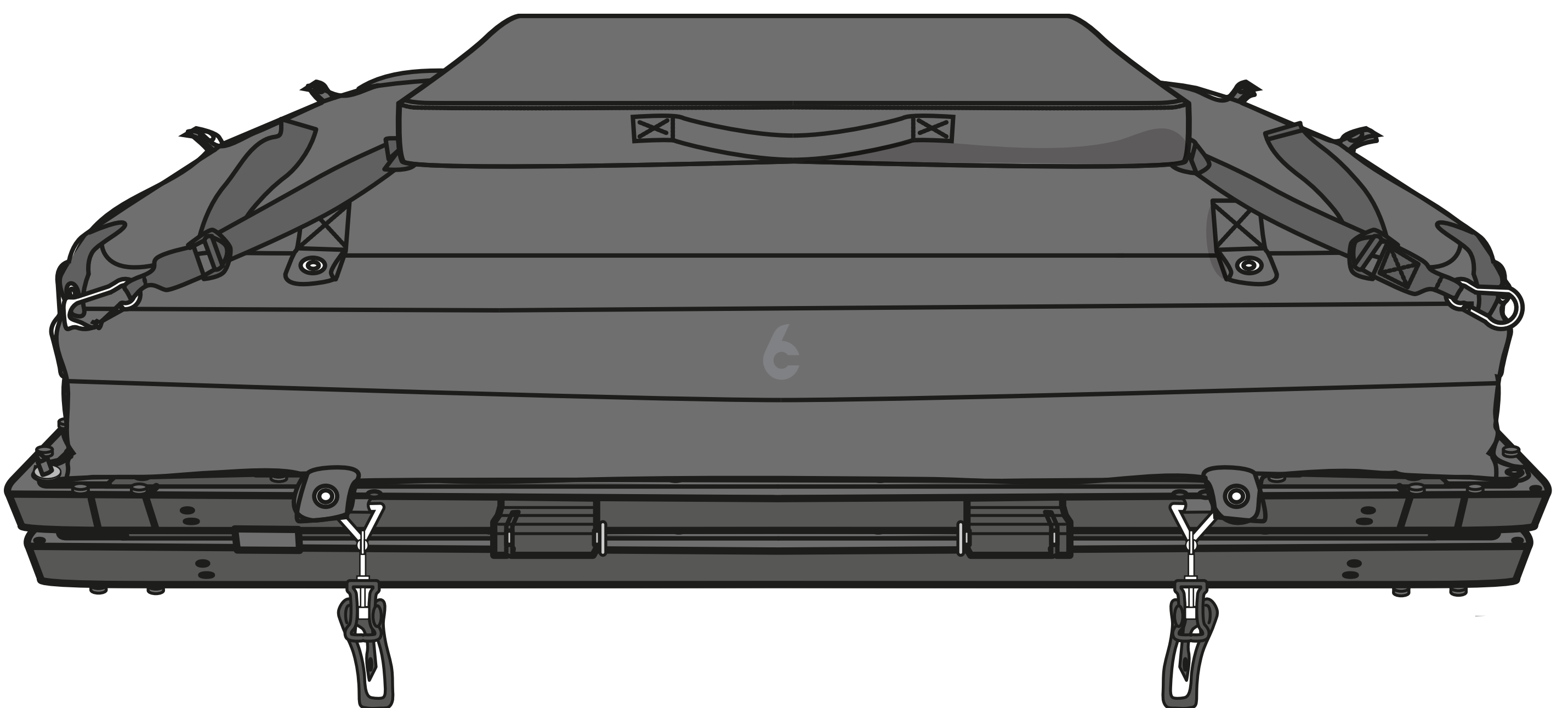
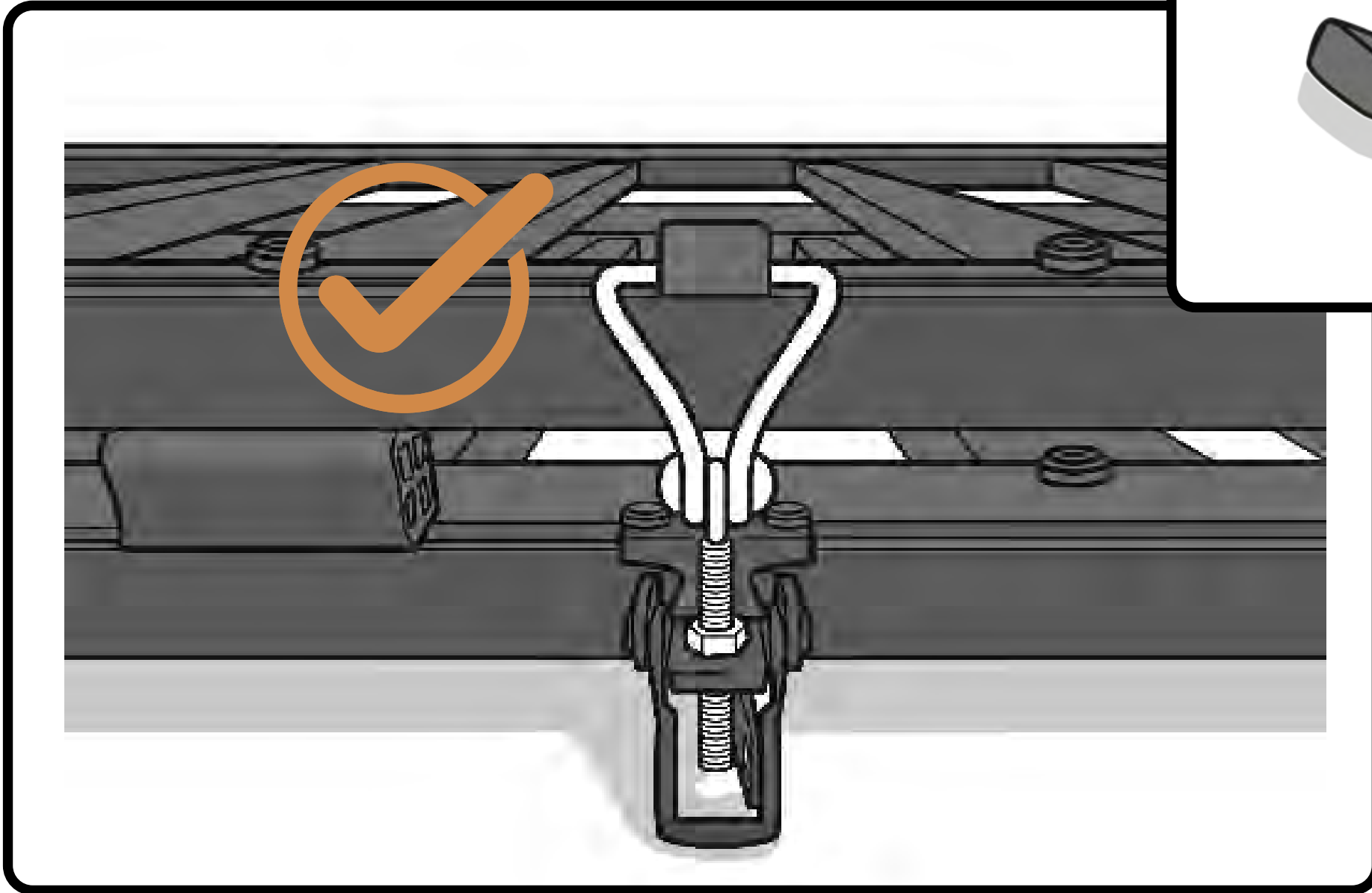
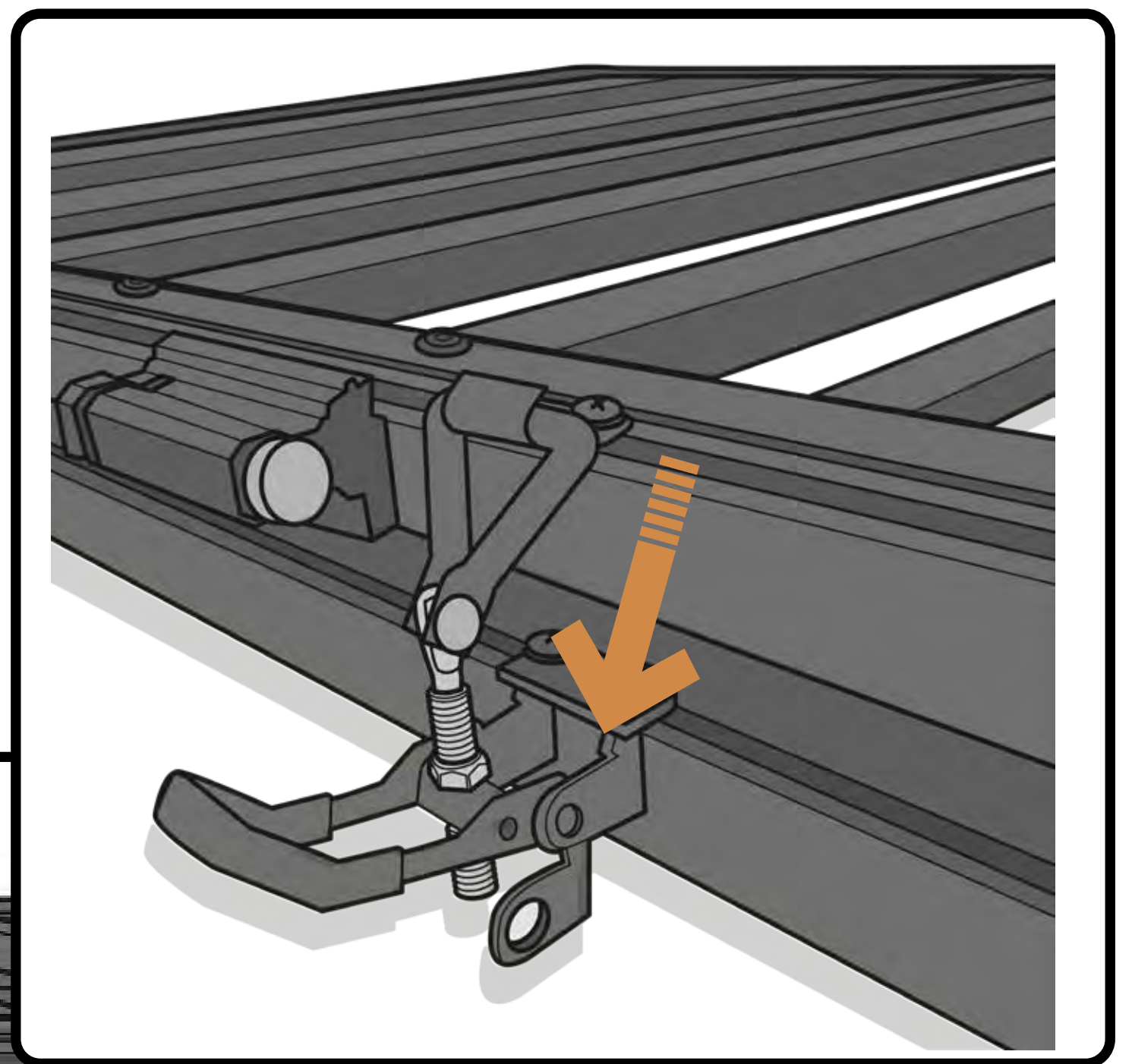




- To secure Rev Ladder Carrying Case to Rev Tent, loop Rev Straps through corner tabs of bag then attach Rev Strap carabiners through the corner grommet holes of the Rev Tent. Tighten straps. Check often while travelling.

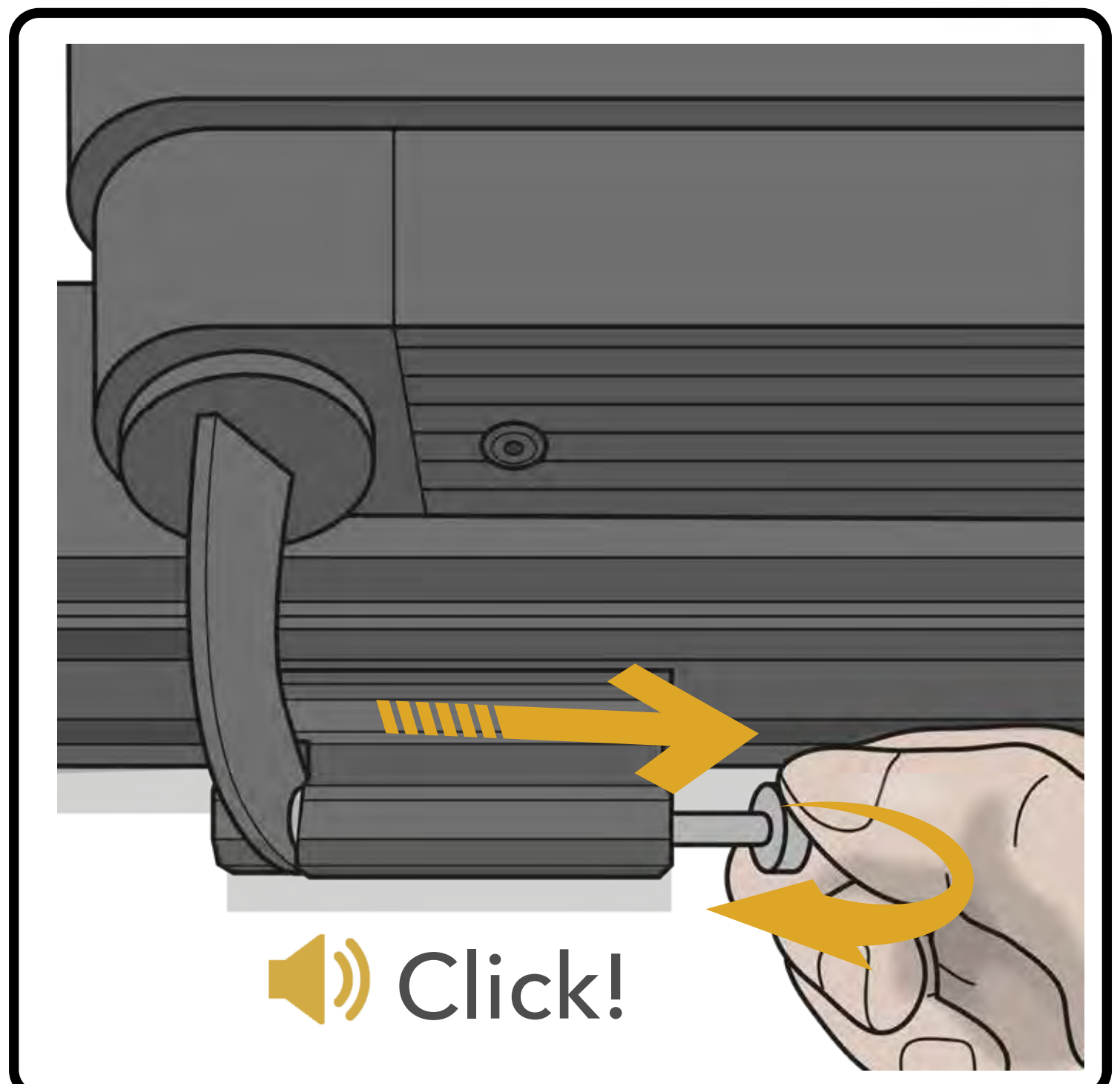
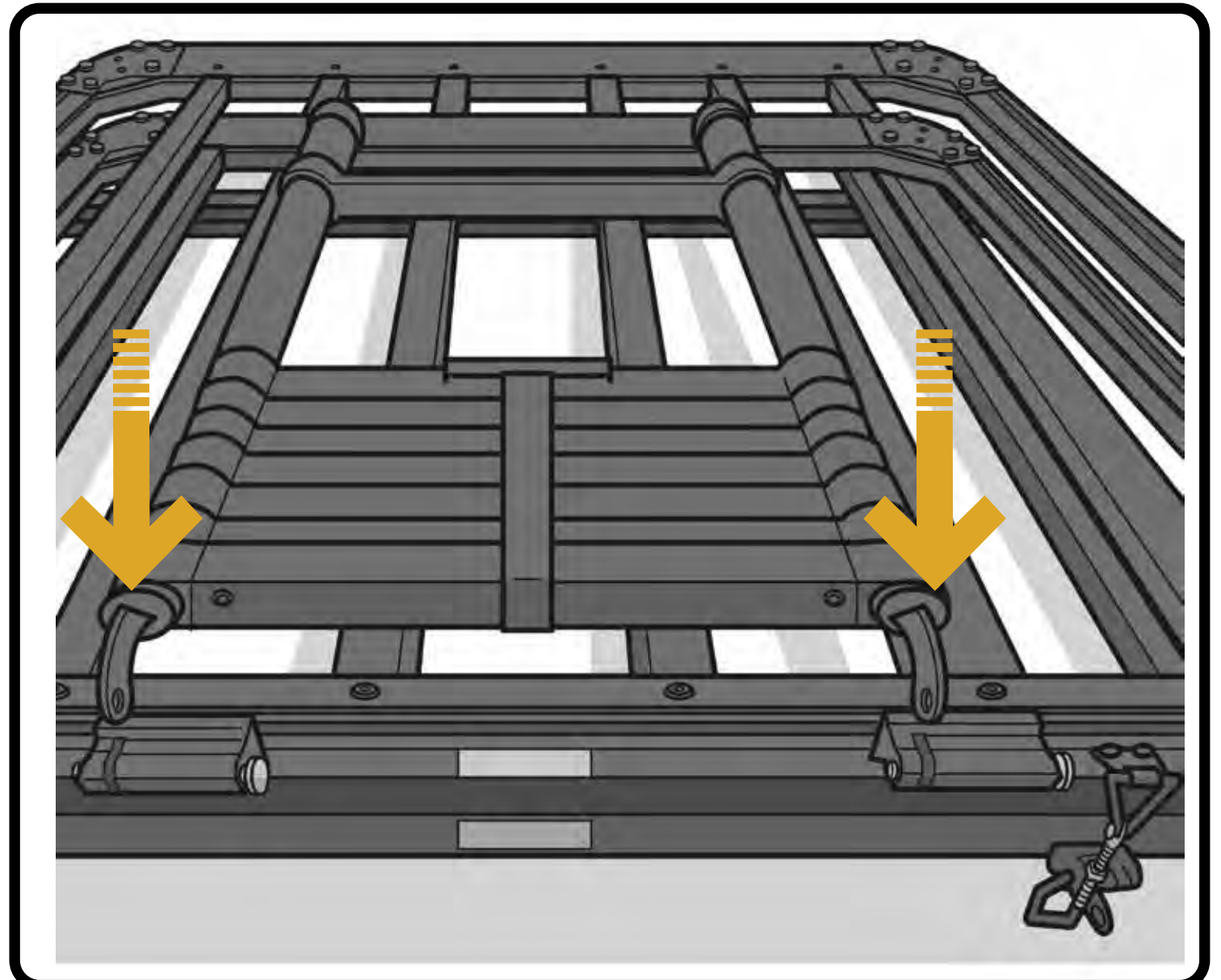
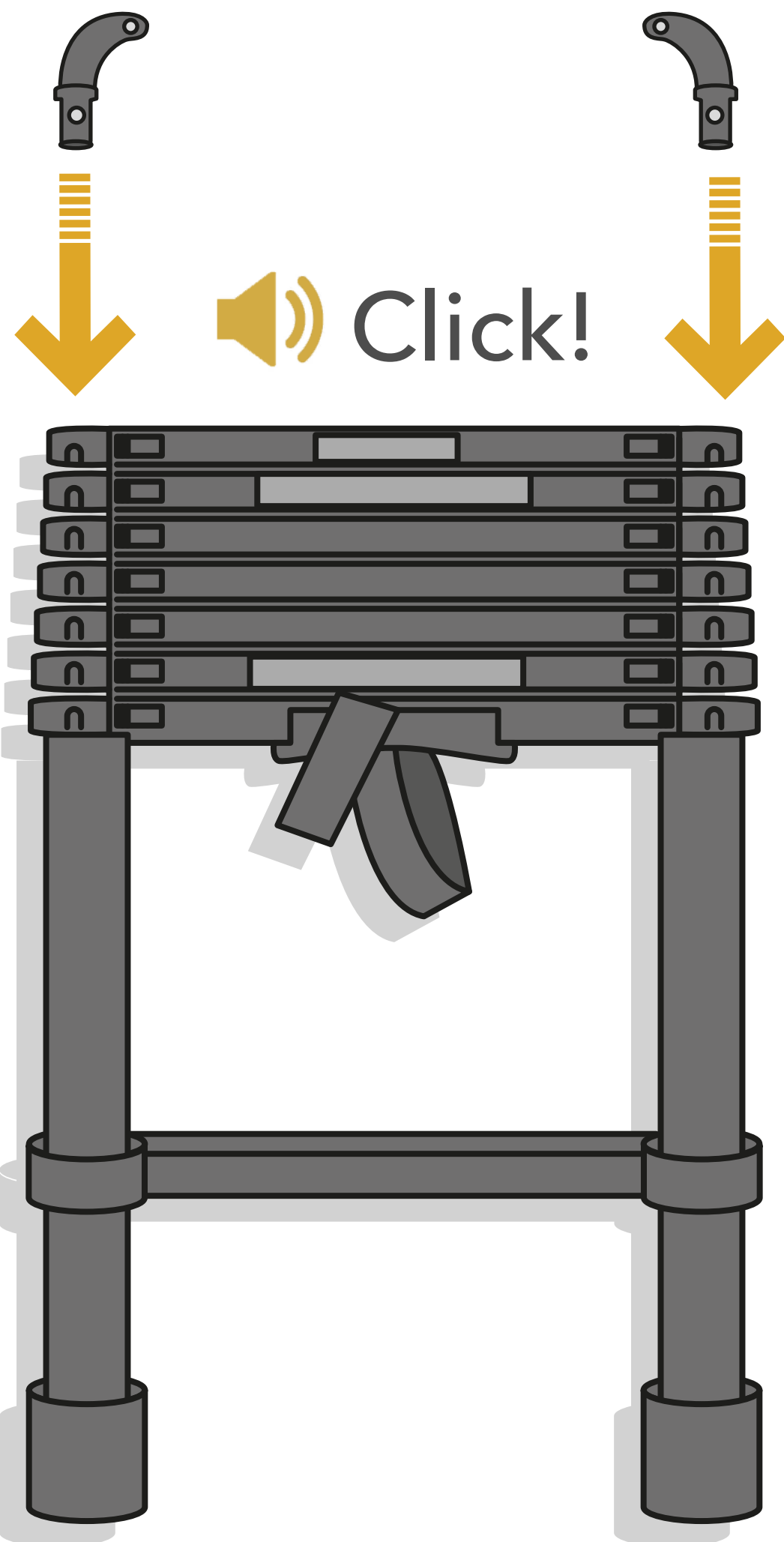
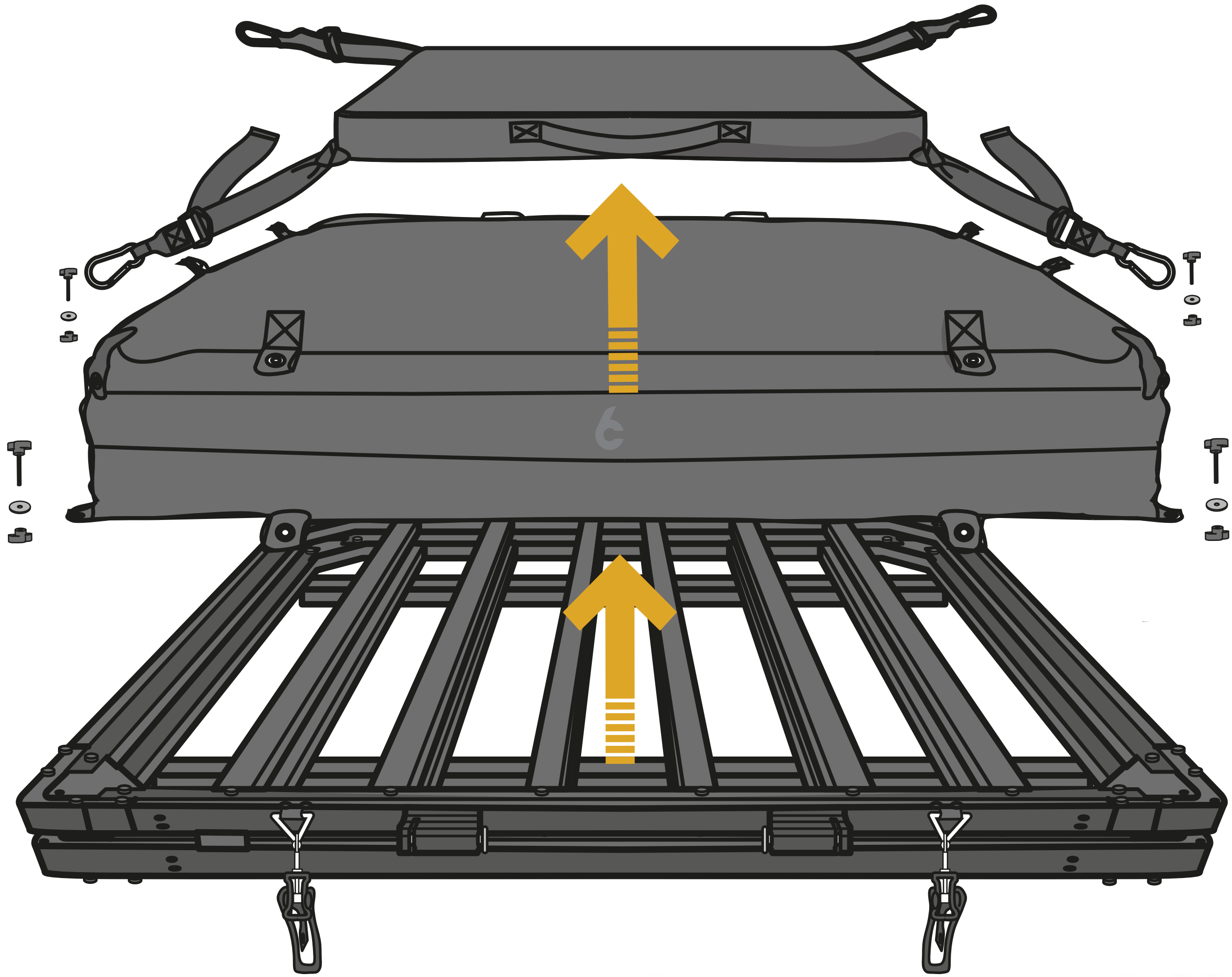
**!** **ALWAYS** confirm Rev Ladder Carrying Case zipper is closed and secure and storm flap is closed and sealed with the hook and loop tabs. Check regularly.

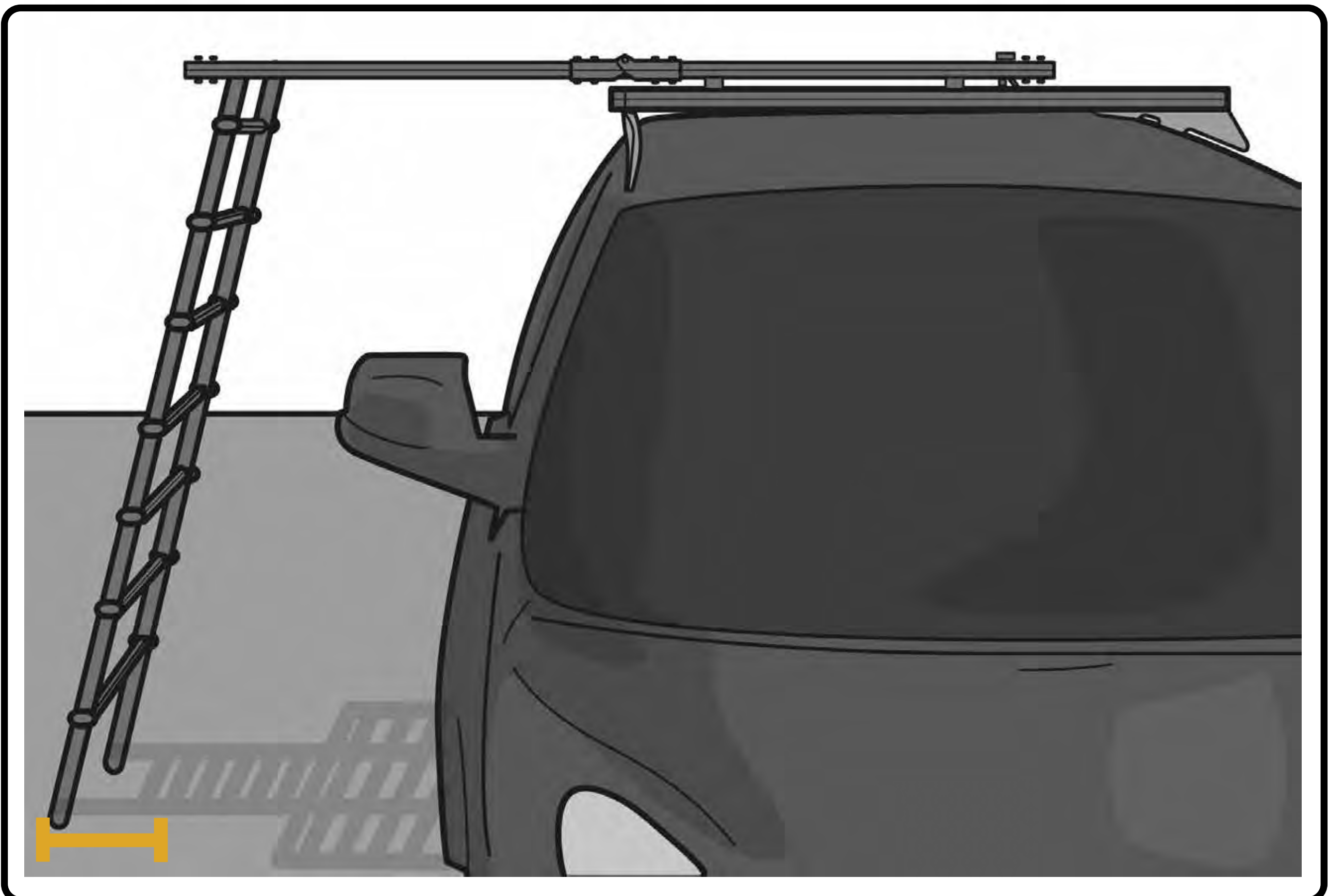
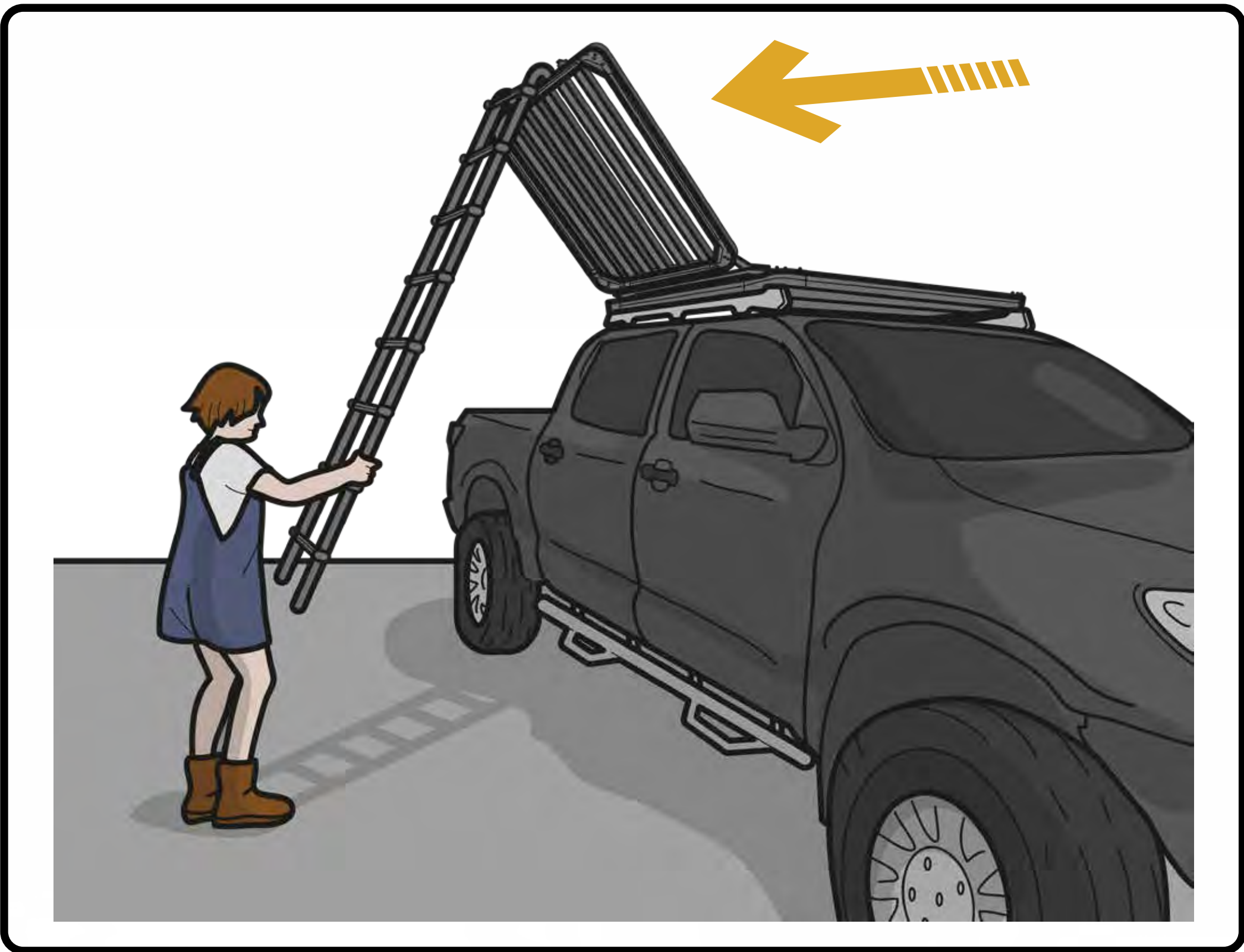
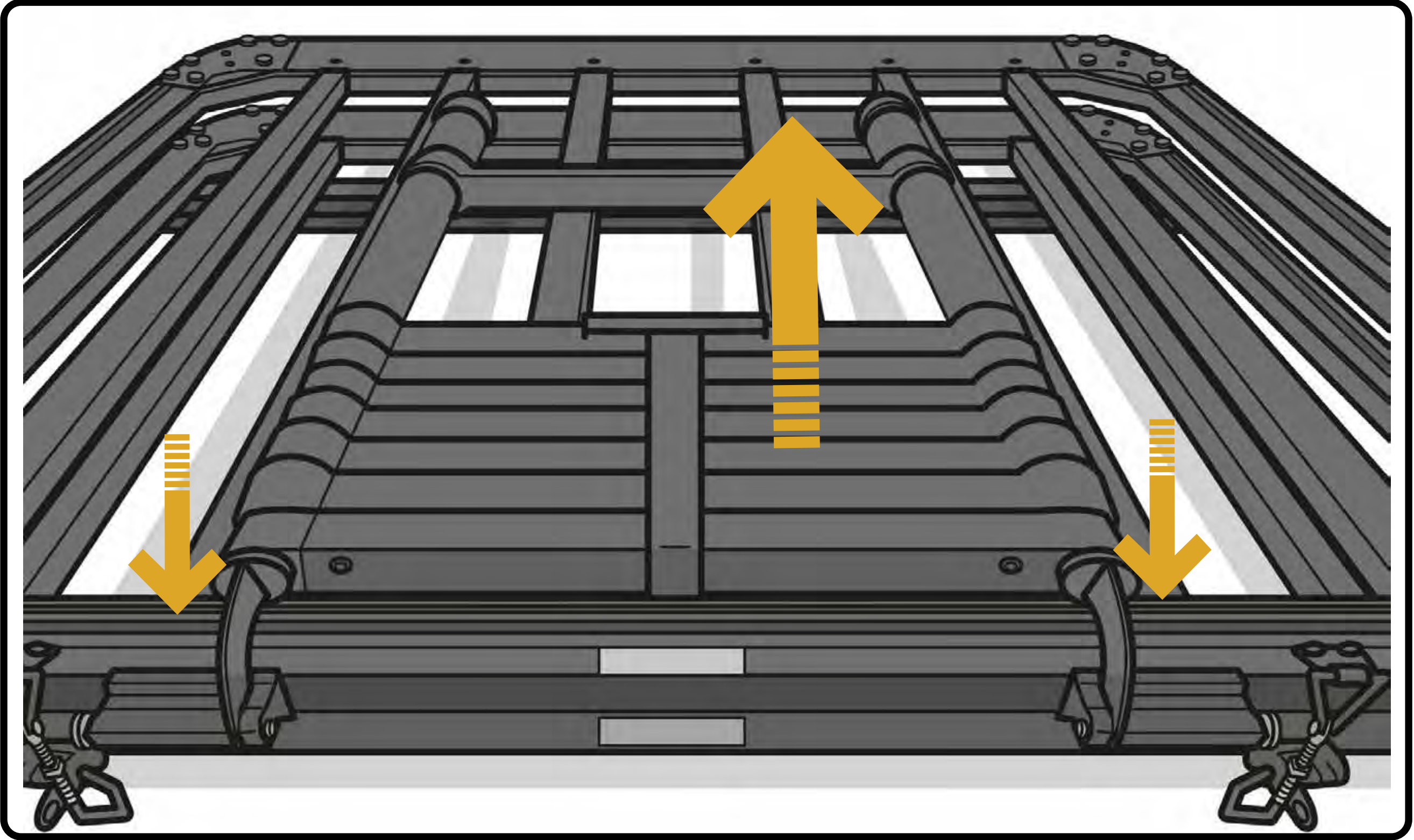
**ALWAYS** double check Rev Platform locks and make sure both are closed and tightened.

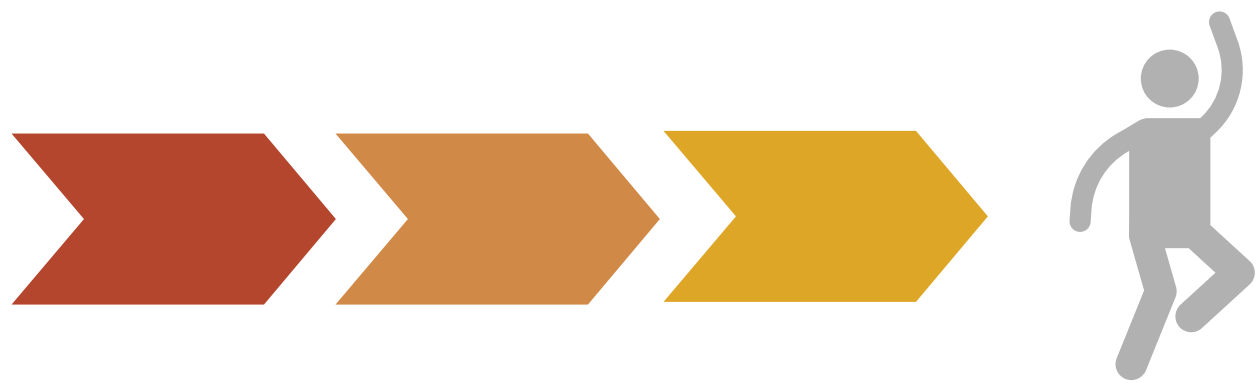




# GO CAMPING!



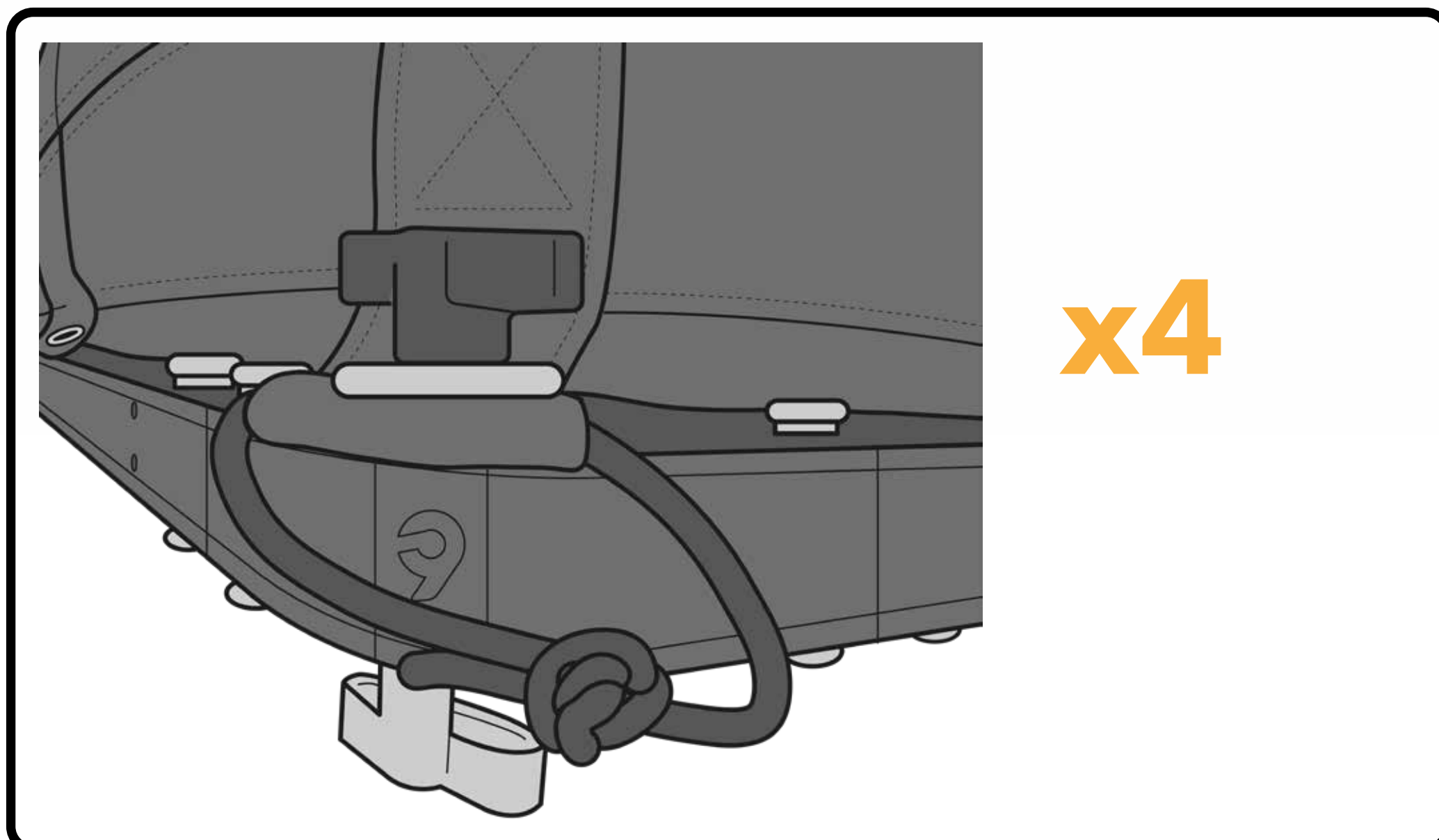
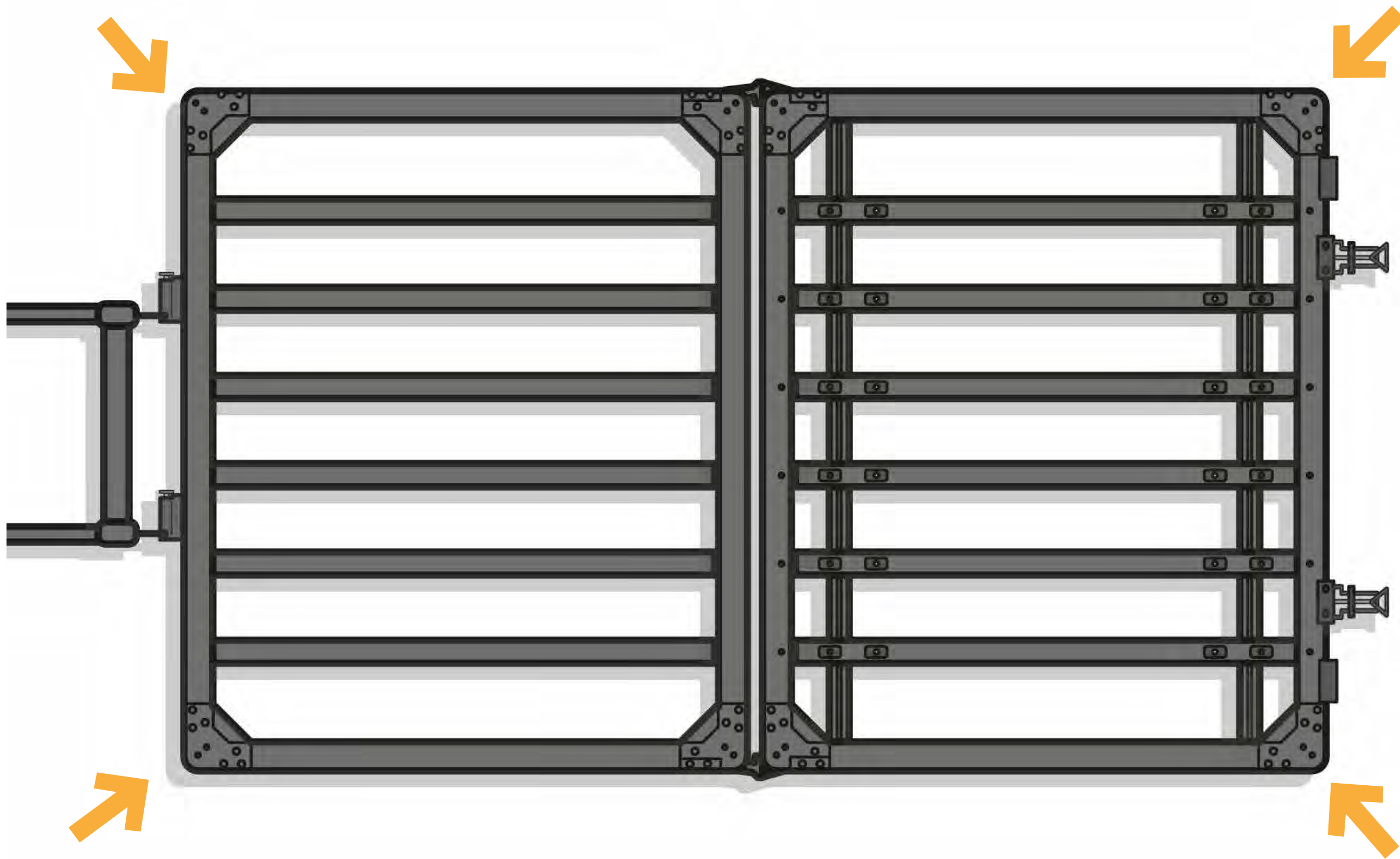


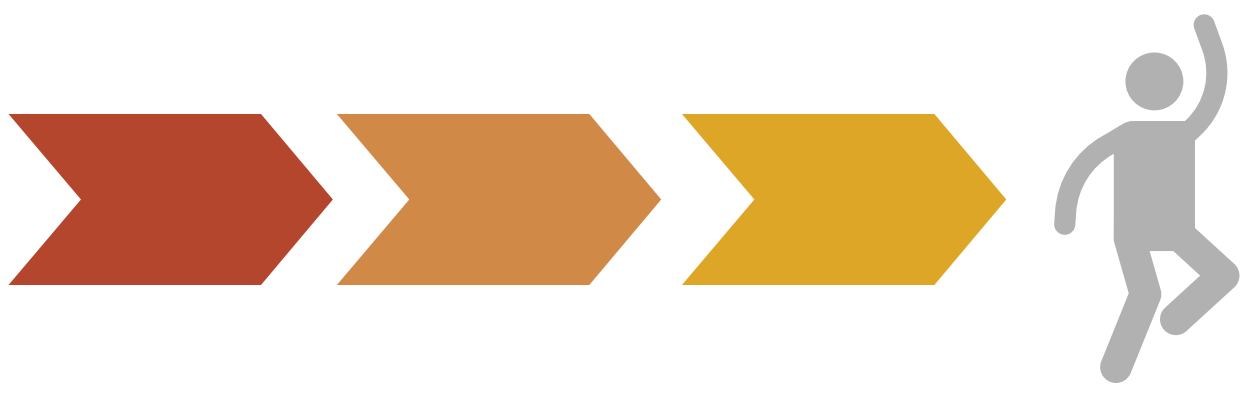


**!** The Rev Ladder is a structural component and used to support half the platform. Depending on the height of your vehicle, you may not need to extend every rung of the ladder. Make sure the rungs are locked in place. Double check often. Do not angle ladder more than 60° from the ground.

For the best sleep, make sure vehicle is level.

**i** See **Rev Tent Assembly Instructions**. You can pitch the Rev Tent on the platform or on the ground and lift tent to platform top. Whichever is easier for you.





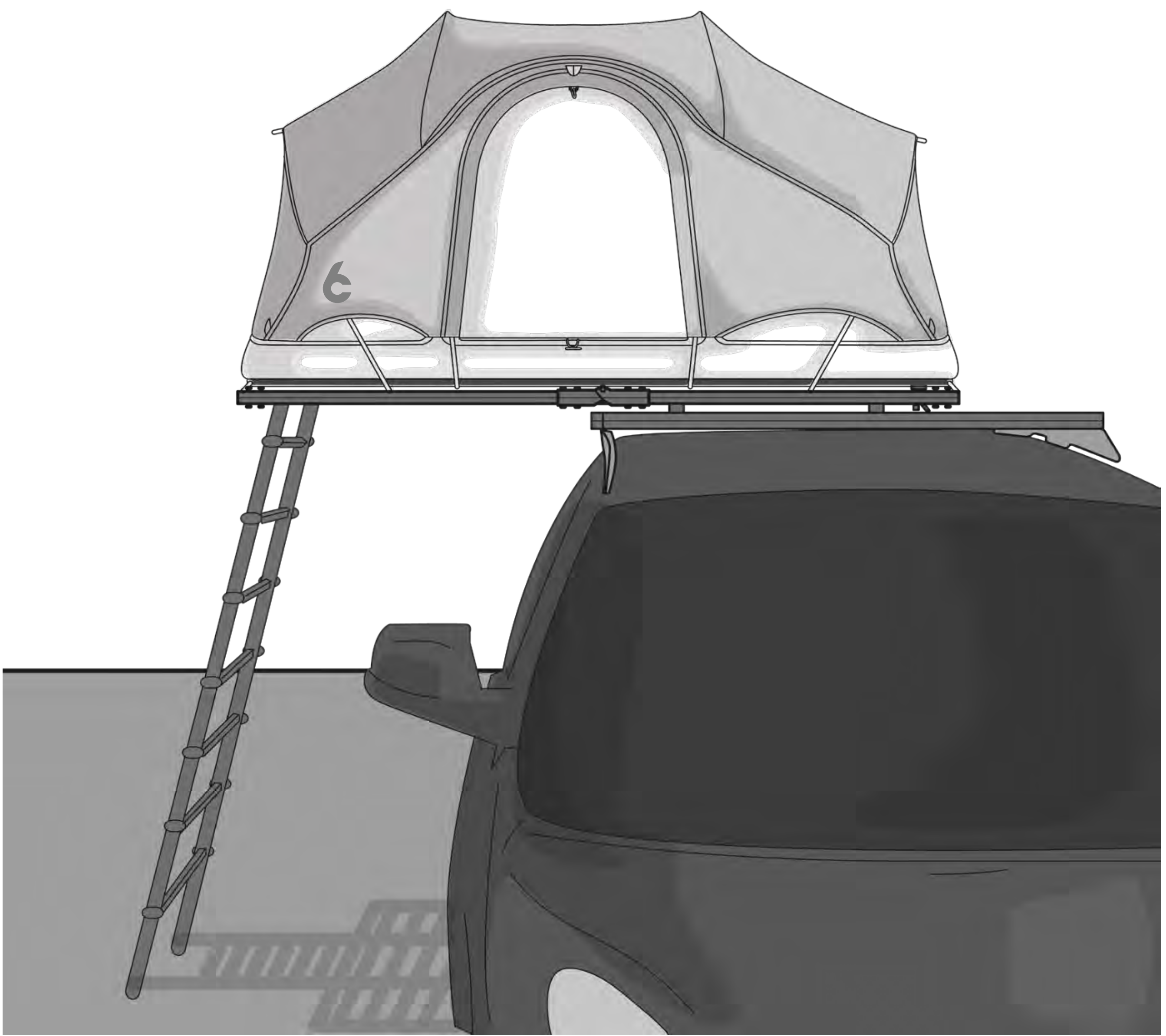
- Bolt the tent to all 4 corners. Not only will this stretch the fabric properly for wind resistance and rain run off, but it makes the tent safe to sleep in!

**i** The pole tips are meant to sit in the profile channels. While this is helpful in heavy winds, sometimes the tips get stuck when removing the tent for take down. Just lift carefully and slide and you'll be able to wiggle the pole tips out.

And just like that, you're camping on the roof of your vehicle in the most comfortable and versatile tent known to humankind!



# HURRAY! TOUCH THE SKY.



JOIN THE REVOLUTION

C6 outdoor



SHOP REV TENT ACCESSORIES

#RevTent

#BeFun

#C6outdoor

[support.C6outdoor.com](https://support.C6outdoor.com)

Share /  
Connect





## **WARNING**

Refer to your specific vehicle manufacturer's recommendations for roof load rating. Refer to your specific cross bar or roof rack manufacturer's recommendations for load ratings. C6 Outdoor cannot be responsible for improper loading beyond the vehicle manufacturer and cross bar manufacturer's stated load capacity.

The Rev Roof Top Tent system weighs @87lbs / 40kg.

IT IS CRITICAL THAT ALL C6 OUTDOOR GEAR IS PROPERLY AND SECURELY ATTACHED TO YOUR VEHICLE. IMPROPER ATTACHMENT COULD RESULT IN AN AUTOMOBILE ACCIDENT AND COULD CAUSE SERIOUS BODILY INJURY OR DEATH TO YOU OR TO OTHERS. YOU ARE RESPONSIBLE FOR SECURING THE PLATFORM, TENT & ACCESSORIES TO YOUR CAR, CHECKING THE ATTACHMENTS PRIOR TO USE, AND PERIODICALLY INSPECTING THE PRODUCTS FOR ADJUSTMENT, WEAR, AND DAMAGE. IT IS REQUIRED THAT YOU READ AND UNDERSTAND ALL OF THE INSTRUCTIONS AND CAUTIONS SUPPLIED PRIOR TO INSTALLATION OR USE. IF YOU DO NOT UNDERSTAND ALL OF THE INSTRUCTIONS AND CAUTIONS, OR IF YOU HAVE NO MECHANICAL EXPERIENCE AND ARE NOT THOROUGHLY COMFORTABLE WITH THE INSTALLATION PROCEDURES, YOU SHOULD HAVE THE PRODUCT INSTALLED BY A PROFESSIONAL INSTALLER SUCH AS A QUALIFIED GARAGE OR AUTO BODY SHOP.





## MORE WARNINGS

**EN** When transporting the Rev Platform X with or without the Rev Tent, you **MUST** lock the platform closed. Do not transport Rev Ladder directly attached to Rev Platform.

To extend the usable life of your Rev Tent and Rev Platform, we recommend storing the tent and platform out of the sun and weather elements when not in use.

When securing the Rev Tent and Rev Platform to a vehicle for transport or sleeping - check all hardware often. Failure to properly secure the Rev Tent and Platform to a vehicle could result in bodily harm and even death. Please review these instructions periodically. A safe camper is a happy camper!

**ES** Al transportar la Plataforma Rev X con o sin la Tienda Rev, **DEBE** cerrar la plataforma con llave. No transporte la escalera Rev Ladder directamente acoplada a la plataforma Rev Platform.

Para prolongar la vida útil de su Tienda Rev y Plataforma Rev, nosotros recomendamos guardar la tienda y la plataforma al abrigo del sol y de la intemperie elementos cuando no se utilicen.

Cuando fije la tienda Rev Tent y la plataforma Rev Platform a un vehículo para su transporte o para dormir, compruebe a menudo todos los herrajes. Si no se fijan correctamente la Carpa Rev y la Plataforma a un vehículo, podrían producirse lesiones corporales e incluso muerte. Revise estas instrucciones periódicamente. ¡Un campista seguro es un campista feliz!

**DE** Beim Transport der REV-Plattform X mit oder ohne REV-Zelt **mÜSSEN** Sie die Plattform verriegeln. Transportieren Sie die REV-Leiter nicht direkt an der REV-Plattform.

Um die Nutzungsdauer Ihres REV-Zeltes und Ihrer REV-Plattform zu verlängern, haben wir empfohlen, das Zelt und die Plattform außerhalb der Sonne und des Wetters zu lagern elemente, wenn sie nicht verwendet werden.

Wenn Sie das REV-Zelt und die REV-Plattform für den Transport oder zum Schlafen an einem Fahrzeug befestigen, überprüfen Sie die gesamte Hardware häufig. Wenn das REV-Zelt und die REV-Plattform nicht ordnungsgemäß an einem Fahrzeug befestigt werden, kann dies zu Körperverletzungen und sogar Tod. Bitte überprüfen Sie diese Anweisungen regelmäßig. Ein sicheres Wohnmobil ist ein glücklicher Camper!

**FR** Lors du transport de la plate-forme Rev X avec ou sans la tente Rev, vous **DEVEZ** verrouiller la plate-forme en position fermée. Ne pas transporter l'échelle Rev directement attachée à la plate-forme Rev.

Pour prolonger la durée de vie de votre Rev Tent et Rev Platform, nous avons recommandé de stocker la tente et la plate-forme à l'abri du soleil et des intempéries lorsqu'ils ne sont pas utilisés.

Lorsque vous fixez la tente Rev et la plate-forme Rev à un véhicule pour le transport ou pour dormir, vérifiez souvent tout le matériel. Le fait de ne pas fixer correctement la tente et la plate-forme Rev Tent à un véhicule peut entraîner des blessures corporelles, voire des dommages matériels. la mort. Veuillez consulter régulièrement ces instructions. Un campeur en sécurité est un campeur heureux !



**NL** Als je het Rev Platform X vervoert met of zonder de Rev Tent, MOET je het platform sluiten. Vervoer de Rev Ladder niet rechtstreeks bevestigd aan het Rev Platform.

Om de levensduur van uw Rev Tent en Rev Platform te verlengen, raden wij u aan de tent en het platform uit de zon en de weerselementen te bewaren als u ze niet gebruikt.

Wanneer je de Rev Tent en het Rev Platform aan een voertuig bevestigt voor transport of om te slapen - controleer dan vaak alle hardware. Het niet goed bevestigen van de Rev Tent en Platform aan een voertuig kan leiden tot lichamelijk letsel en zelfs de dood. Lees deze instructies regelmatig door. Een veilige kampeerder is een tevreden kampeerder!

**PT** Ao transportar a Rev Platform X com ou sem a Rev Tent, você DEVE bloquear a plataforma fechada. Não transporte Rev Ladder diretamente ligado à Rev Platform.

Para prolongar a vida útil da sua Tenda Rev e da Plataforma Rev, recomendamos que guarde a tenda e a plataforma fora do sol e dos elementos meteorológicos quando não estiver a ser utilizada.

Ao fixar a Tenda Rev e a Plataforma Rev a um veículo para transporte ou dormir - verifique todo o hardware com frequência. A falha em prender adequadamente a Tenda Rev e a Plataforma a um veículo pode resultar em lesões corporais e até morte. Por favor, revise estas instruções periodicamente. Um campista seguro é um campista feliz!

**JA** Rev Platform XをRev Tentの有無に関わらず運搬する際は、必ずプラットフォームを閉じてロックしてください。RevラダーをRevプラットフォームに直接取り付けて運搬しないでください。

レブ・テントとレブ・プラットフォームの使用寿命を延ばすため、使用しないときはテントとプラットフォームを日光や天候の影響を受けない場所に保管することをお勧めします。

レブ・テントとレブ・プラットフォームを輸送や就寝のために車両に固定する際は、すべての金具をよく確認してください。Rev TentとPlatformを適切に車両に固定しないと、身体的危害や死に至る可能性があります。これらの指示を定期的に確認してください。安全なキャンピングカーとは 幸せなキャンピングカーだ!

**IT** Quando si trasporta la Rev Platform X con o senza la tenda Rev, si DEVE bloccare la piattaforma chiusa. Non trasportare la scala Rev direttamente attaccata alla piattaforma Rev.

Per prolungare la durata della tenda Rev e della piattaforma Rev, si consiglia di riporre la tenda e la piattaforma al riparo dal sole e dagli agenti atmosferici quando non vengono utilizzate.

Quando si fissano la tenda Rev e la piattaforma Rev a un veicolo per il trasporto o il riposo, controllare spesso tutta la ferramenta. Il mancato fissaggio della tenda e della piattaforma Rev a un veicolo può causare lesioni fisiche o addirittura la morte. Si prega di rivedere periodicamente queste istruzioni. Un campeggiatore sicuro è un campeggiatore felice!

**DA** Når du transporterer Rev Platform X med eller uden Rev Telt, SKAL du låse platformen lukket. Transporter ikke Rev Ladder direkte fastgjort til Rev Platform.

For at forlænge levetiden af dit Rev Telt og Rev Platform anbefaler vi at opbevare teltet og platformen væk fra solen og vejret, når de ikke er i brug.

Når du fastgør Rev-teltet og Rev-platformen til et køretøj til transport eller til at sove - tjek alt hardware ofte. Manglende fastgørelse af Rev-teltet og platformen til et køretøj kan resultere i legemsbeskadigelse og endda død. Gennemgå venligst disse instruktioner med jævne mellemrum. En sikker camper er en glad campist!



**IS** Þegar Rev Platform X er flutt með eða án Rev tjaldsins, VERÐUR þú að læsa pallinum lokuðum. Ekki flytja Rev Ladder beint tengdum Rev pallinum.

Til að lengja endingartíma Rev tjaldsins og Rev pallsins mælum við með að tjaldið og pallurinn geymist ekki fyrir sól og veðri þegar það er ekki í notkun.

Þegar Rev tjaldið og Rev pallurinn er festur við ökutæki til flutnings eða svefns - athugaðu allan vélbúnað oft. Ef ekki er rétt að festa Rev tjaldið og pallinn við ökutæki gæti það leitt til líkamstjóns og jafnvel dauða. Vinsamlegast skoðaðu þessar leiðbeiningar reglulega. Öruggur húsbíll er ánægður húsbíll!

**NO** Þegar Rev Platform X er flutt með eða án Rev tjaldsins, VERÐUR þú að læsa pallinum lokuðum. Ekki flytja Rev Ladder beint tengdum Rev pallinum.

Til að lengja endingartíma Rev tjaldsins og Rev pallsins mælum við með að tjaldið og pallurinn geymist ekki fyrir sól og veðri þegar það er ekki í notkun.

Þegar Rev tjaldið og Rev pallurinn er festur við ökutæki til flutnings eða svefns - athugaðu allan vélbúnað oft. Ef ekki er rétt að festa Rev tjaldið og pallinn við ökutæki gæti það leitt til líkamstjóns og jafnvel dauða. Vinsamlegast skoðaðu þessar leiðbeiningar reglulega. Öruggur húsbíll er ánægður húsbíll!

**PL** Podczas transportu platformy Rev X z namiotem Rev lub bez niego MUSISZ zamknąć platformę. Nie należy transportować drabiny Rev przymocowanej bezpośrednio do platformy Rev.

Aby przedłużyć żywotność namiotu Rev i platformy Rev, zalecamy przechowywanie namiotu i platformy z dala od słońca i czynników atmosferycznych, gdy nie są używane.

Mocując namiot Rev i platformę Rev do pojazdu w celu transportu lub spania, często sprawdzaj cały sprzęt. Nieprawidłowe przymocowanie namiotu i platformy Rev do pojazdu może spowodować obrażenia ciała, a nawet śmierć. Prosimy o okresowe przeglądanie tych instrukcji. Bezpieczny kamper to taki szczęśliwy kamper!

**RO** Când transportați platforma Rev X cu sau fără cortul Rev, TREBUIE să blocați platforma închisă. Nu transportați Rev Ladder atașat direct la Rev Platform.

Pentru a prelungi durata de viață utilă a cortului Rev și a platformei Rev, vă recomandăm să depozitați cortul și platforma departe de soare și de elementele meteorologice atunci când nu sunt utilizate.

Când fixați cortul Rev și platforma Rev la un vehicul pentru transport sau dormit - verificați frecvent toate componentele hardware. Neasigurarea corespunzătoare a cortului și platformei de turajie la un vehicul ar putea duce la vătămări corporale și chiar la moarte. Vă rugăm să consultați periodic aceste instrucțiuni. Un camper sigur este Un camper fericit!

**SV** När du transporterar Rev Platform X med eller utan Rev-tältet MÅSTE du låsa plattformen stängd. Transportera inte Rev Ladder direkt ansluten till Rev Platform.

För att förlänga livslängden på ditt Rev Tent och Rev Platform rekommenderar vi att du förvarar tältet och plattformen borta från sol och väderlek när de inte används.

När du fäster Rev-tältet och Rev-plattformen vid ett fordon för transport eller sovande - kontrollera all hårdvara ofta. Om Rev-tältet och plattformen inte säkras ordentligt vid ett fordon kan det leda till kroppsskada och till och med dödsfall. Läs igenom dessa instruktioner med jämna mellanrum. En säker husbil är en glad husbil!



**KO** Rev Tent를 사용하거나 사용하지 않고 Rev Platform X를 운송할 때 플랫폼을 닫아 잠가야 합니다. Rev Platform에 직접 부착된 Rev Ladder를 운반하지 마십시오.

Rev Tent 및 Rev Platform의 사용 수명을 연장하려면 텐트와 플랫폼을 사용하지 않을 때 태양과 날씨 요소를 피해 보관하는 것이 좋습니다.

Rev Tent와 Rev Platform을 운송 또는 수면을 위해 차량에 고정할 때 모든 하드웨어를 자주 확인하십시오. Rev 텐트와 플랫폼을 차량에 제대로 고정하지 않으면 부상을 입거나 사망에 이를 수 있습니다. 이 지침을 주기적으로 검토하십시오. 안전한 캠핑카는 행복한 캠핑카!

**ZH** 在运~~送~~有或不~~有~~ Rev ~~篷~~的 Rev Platform X ~~时~~, 您必~~须~~将平台~~固定~~在关~~闭~~状~~态~~。~~勿~~运~~送~~直接~~接触~~到 Rev 平台的 Rev Lader。

~~为~~了延~~长~~ Rev ~~篷~~和 Rev 平台的使用寿命, 我~~们~~建~~议~~在不使用~~时~~将~~篷~~和平台存放在~~离~~阳光和天气因素的地方。

将 Rev ~~篷~~和 Rev 平台固定到~~车~~上~~运~~行运~~送~~或睡~~觉~~ - ~~常~~时~~所~~有硬件。如果未能将 Rev ~~篷~~和平台正确固定到~~车~~上, 可能会~~造~~致人身~~伤~~害甚至死亡。~~请~~定期~~检~~查~~一~~些~~说~~明。安全的露~~营~~者是  
一个快~~乐~~的露~~营~~者!

**EL** Κατά τη μεταφορά της πλατφόρμας Rev X με ή χωρίς τη σκηνή Rev, ΠΡΕΠΕΙ να κλειδώσετε την πλατφόρμα κλειστή. Μην μεταφέρετε το Rev Ladder απευθείας συνδεδεμένο στην πλατφόρμα Rev.

Για να παρατείνετε τη διάρκεια ζωής της σκηνής Rev και της πλατφόρμας Rev σας, συνιστούμε να αποθηκεύετε τη σκηνή και την πλατφόρμα μακριά από τον ήλιο και τα καιρικά στοιχεία όταν δεν χρησιμοποιούνται.

Όταν στερεώνετε τη σκηνή Rev και την πλατφόρμα Rev σε ένα όχημα για μεταφορά ή ύπνο - ελέγχετε συχνά όλο το υλικό. Αν δεν ασφαλίσετε σωστά τη Σκηνή και την Πλατφόρμα Rev σε ένα όχημα θα μπορούσε να οδηγήσει σε σωματική βλάβη, ακόμη και θάνατο. Διαβάστε αυτές τις οδηγίες περιοδικά. Ένα ασφαλές camper είναι ένας χαρούμενος κατασκηνωτής!

**Visit**

**[www.c6outdoor.com](http://www.c6outdoor.com)**

**For instructions, warnings, warranty, care, specifications and more**