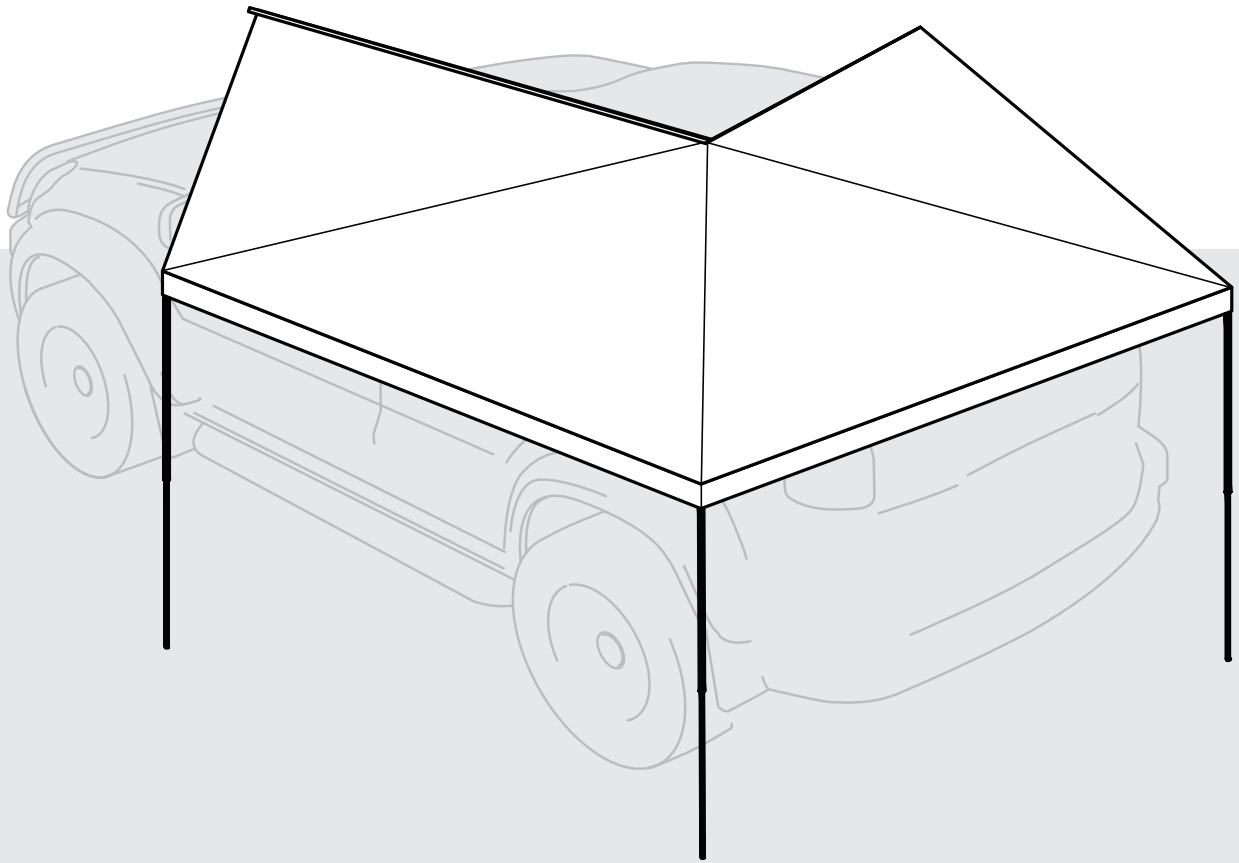




## Nomadic 270LTE Awning



**CAREFULLY READ INSTRUCTIONS PRIOR TO  
THE FIRST USE OF THE 270LTE AWNING**

# Nomadic 270LTE Awning

SET-UP & CARE INSTRUCTIONS

## GET TO KNOW YOUR AWNING

We recommend you check all parts are included prior to first use.

### Box 1

1 270LTE Awning  
4 Twist-lock leg poles

### Box 2

2 x L shaped mounting brackets  
2 x steel clamp plates  
8 x stakes  
8 x Guy ropes

4 x short bolts and nuts  
4 x long Bolts and nuts  
8 x washers

### Tools needed

1 13mm Wrench

## ATTACHING BRACKET TO ROOF-RACK

1

To attach your 270LTE degree awning to a vehicle, 2 x "L" shaped attachment brackets are supplied that are designed to attach to most roof rack and roof bar systems. It is advisable that you contact the manufacturer of the roof rack or roof bar system on your vehicle for the recommended attachments required for fitting the 270LTE awning. Some roof racks are designed to allow direct fitting of the 4WD awning without the use of the "L" shaped attachment brackets.

The mounting frame on the back of the awning bag is designed to hold the head of the 25mm bolts, these can be positioned anywhere along the mounting

frame. Please ensure they are tightened securely in place. Follow the recommendations of the roof bar or roof rack system manufacturer to calculate the number of bolts required to attached the "L" shaped attachment brackets to the roof bar or roof rack system.

This awning also comes with 2 steel plates for installation to a roof basket.

**If in doubt, please visit your roof rack specialist for specific roof rack mounting options and advise on Load capacities**

## ATTACH AWNING TO BRACKET

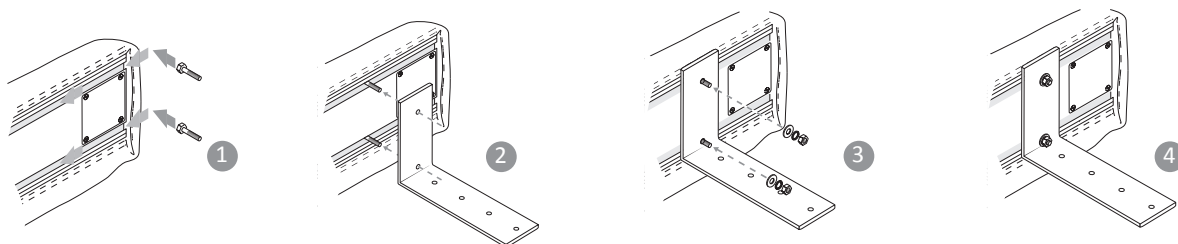
It is recommended to use an experienced after-market 4x4 Accessories fitter to mount the 270LTE degrees awning to your vehicle. Fasteners and fixing connections should be checked regularly on both the awning and roof rack to ensure the awning is always mounted securely to your vehicle roof rack.



**PROLONGED TRAVELING ON UNEVEN ROUGH OR CORRUGATED TERRAIN WILL REQUIRE MORE FREQUENT INSPECTIONS.**

2

Insert supplied 25mm M8 bolts into grooves in aluminum backing plate.



# Nomadic 270LTE Awning

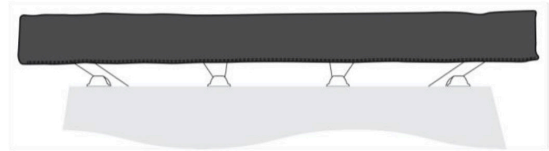
SET-UP & CARE INSTRUCTIONS

## SET-UP

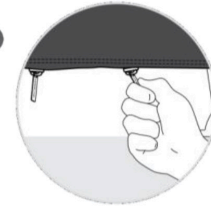
3

### REMOVE COVER

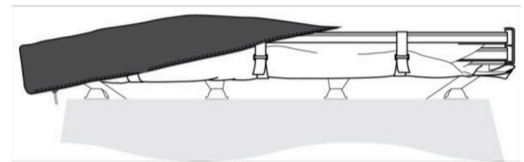
Unzip cover and fold it over the awning body



1



2

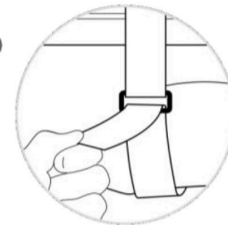


4

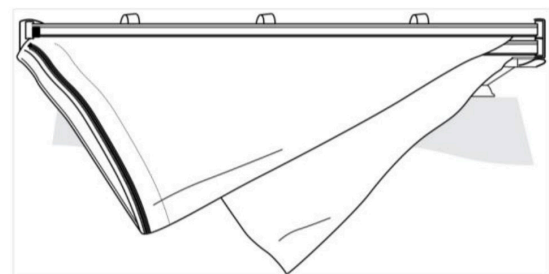
### RELEASE AWNING

Release the three Velcro straps and allow canvas to drape

1



2



# Nomadic 270LTE Awning

SET-UP & CARE INSTRUCTIONS

## SET-UP

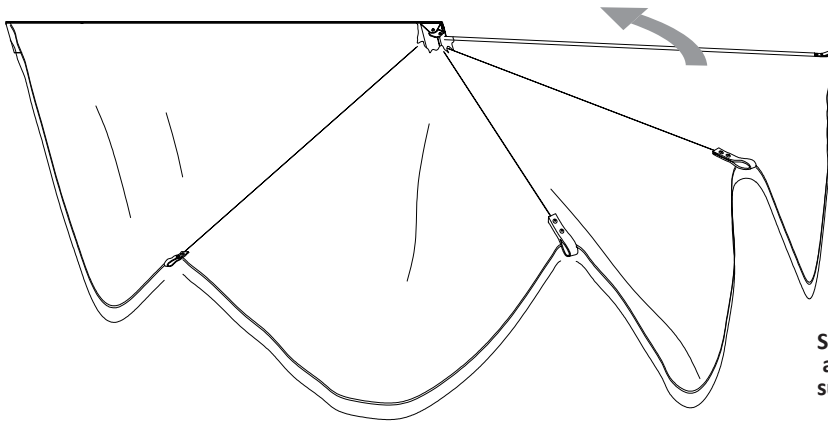
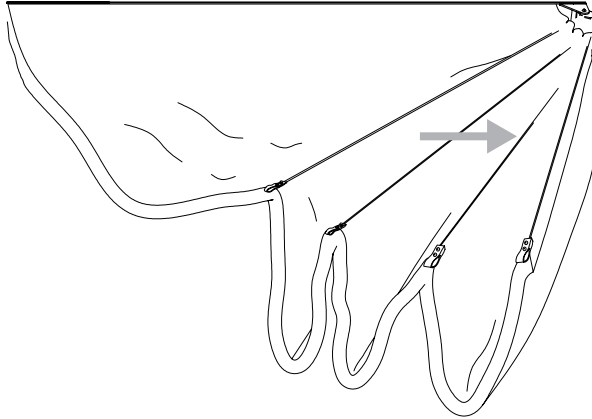
5

### OPENING

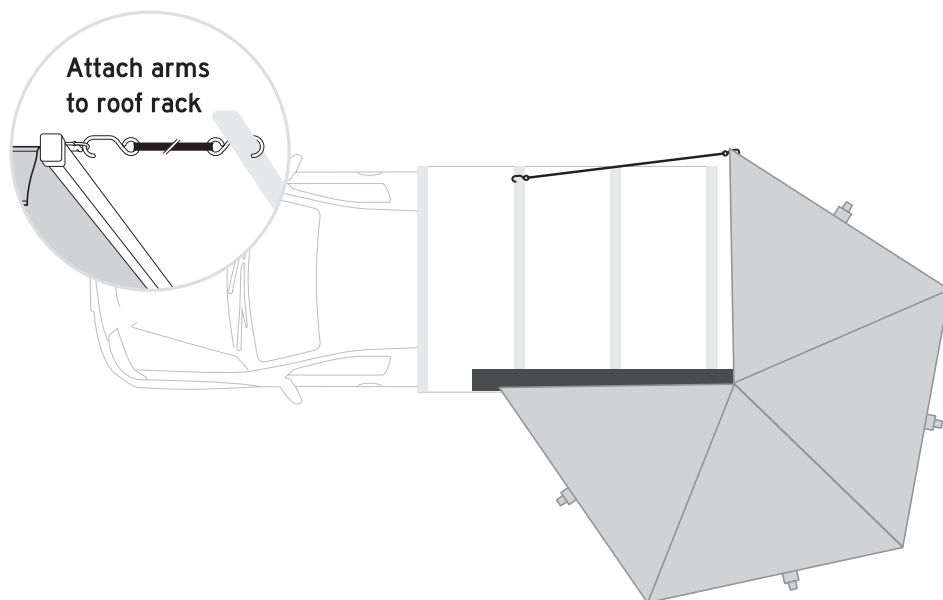
To begin setting up the awning follow steps 1 to 4

#### TIP

Awning will self-support during set up only however it is not advisable to leave the awning hanging for any long period of time.



Swing out left arm fully and attach to roof rack using supplied tension strap



# Nomadic 270LTE Awning

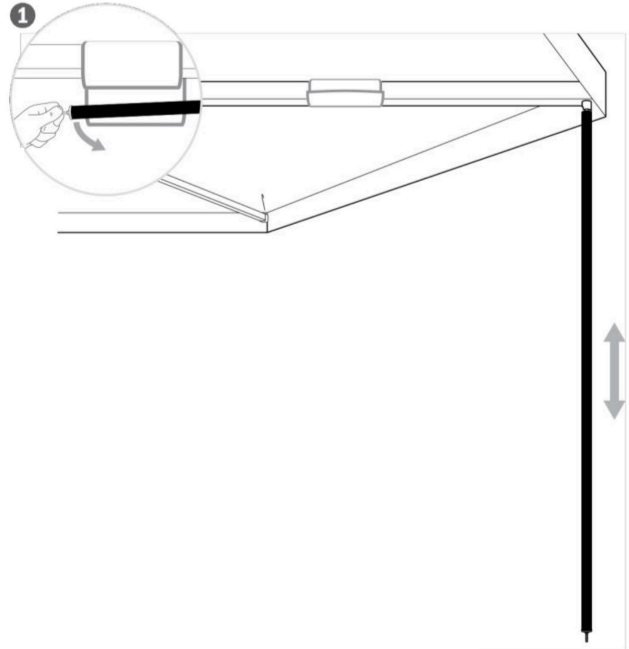
SET-UP & CARE INSTRUCTIONS

## SET-UP

6

### POLE SET-UP

- Undo the hook and loop fasteners that are supporting each leg. Be careful as the legs will drop down. Ensure no person or item is under or near the awning when doing this.
- Twist the leg pole to unlock/lock to the desired height.
- Secure the end of each rafter by anchoring guy ropes.



**ENSURE ALL GUIDE ROPES ARE SECURED**

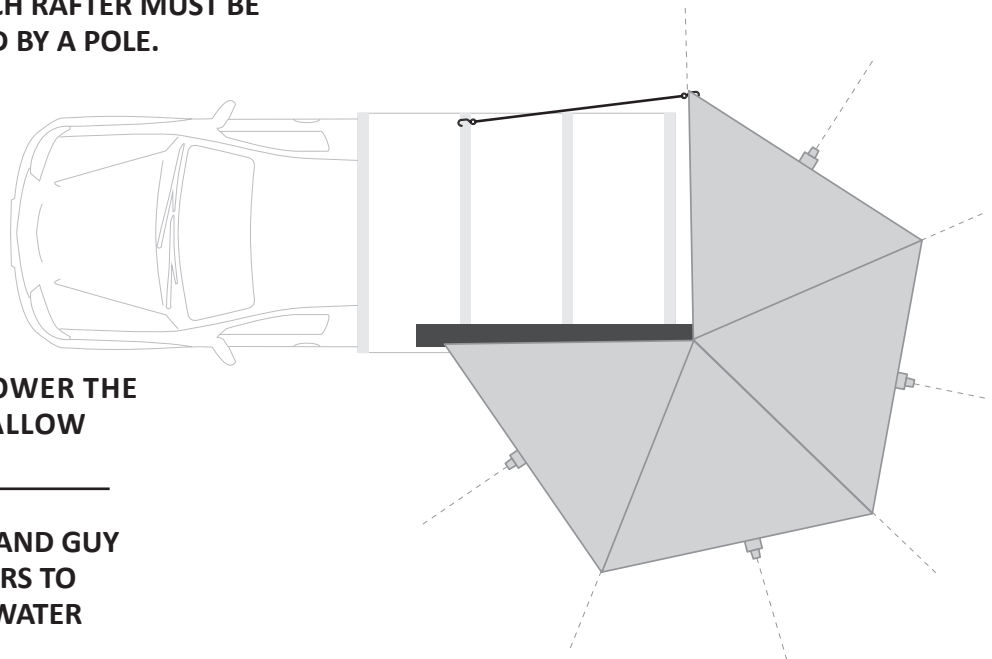


**IF ATTACHING OPTIONAL WALLS, EACH RAFTER MUST BE SUPPORTED BY A POLE.**

### TIP

**IN CASE OF RAIN, LOWER THE SUPPORT LEGS TO ALLOW**

**DOWNWARD SLOPE AND GUY OFF BETWEEN RAFTERS TO FORM VALLEYS FOR WATER RUN—OFF**



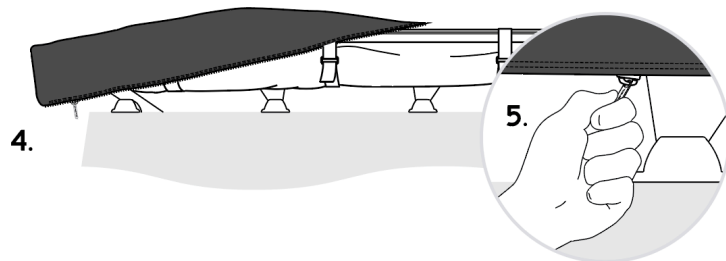
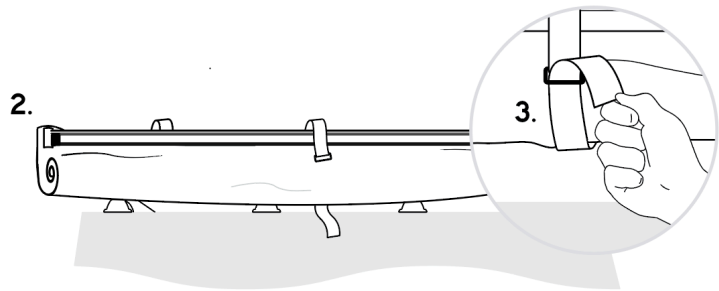
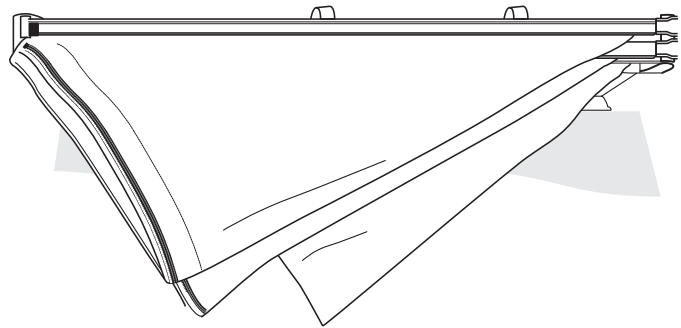
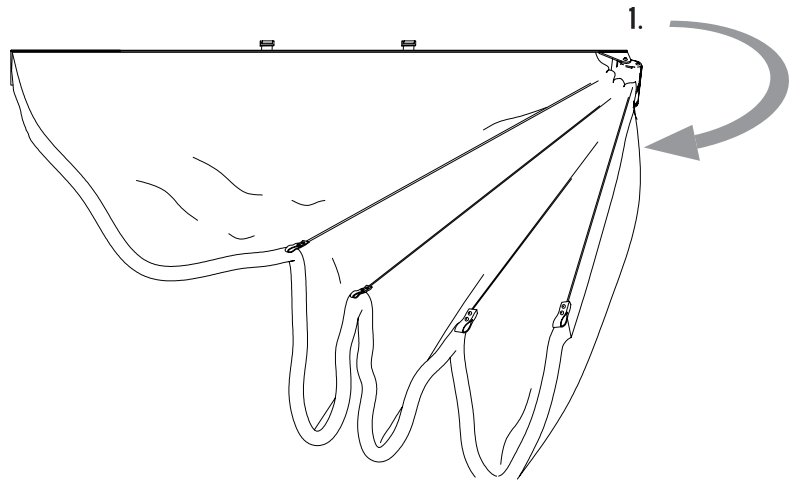
# Nomadic 270LTE Awning

## SET-UP & CARE INSTRUCTIONS

7

### PACK-DOWN

- Undo all pegs / guy ropes
- Fold away legs and stow away using attached Velcro straps
- Stow 3 x additional legs in canvas carry bag.
- Release front and rear tension strap.
- Fold the RHS of awning back 90° from the awning body ensuring the top rafters sit directly on top of the bottom rafters.
- Fold the LHS of awning back 90° from the awning body ensuring the top rafters sit directly on top of the bottom rafters.
- Roll canvas and secure using Velcro straps.
- Position PVC bag over awning and zip up to complete pack down.



**DO NOT STOW THE CANVAS CARRY BAG CONTAINING THE ADDITIONAL LEGS INSIDE THE AWNING'S TRANSIT COVER.**

# Nomadic 270LTE Awning

## SET-UP & CARE INSTRUCTIONS

### CLEANING

Clean with cold water and a soft bristle brush. Do not use soaps and detergents. Do not expose to petrol, diesel, oils or chemicals of any nature.

### STORING

Correct storage is vital for the longevity of your Nomadic 270LTE awning. If on occasion the awning is required to be stowed wet, it is essential it is unpacked and dried as soon as possible. Rot, mildew damage and incorrect storage is not covered under warranty.

### STRUCTURAL INTEGRITY

The 270LTE awning has been designed for general camping use under normal conditions. Always ensure all guy ropes are anchored correctly. It may be necessary to re-adjust guy ropes and pegs at times to maintain the structural integrity of the awning.

### VEHICLE FITTING

We recommend using an experienced aftermarket 4x4 accessories fitter to mount the 270LTE Awning to your vehicle. Fasteners and fixing connections should be checked regularly on both the awning and roof rack to ensure the awning is always mounted securely to your vehicle roof rack. Prolonged travelling on uneven rough or corrugated terrain will require more frequent inspections.

### FIXING THE OPTIONAL WALLS

The zip on awning walls will provide a sheltered / protected area around the awning. When attached to the awning, they are designed to create a shaded area and help reduce dust.

## WARNINGS

- THE 270LTE AWNING HAS BEEN DESIGNED FOR GENERAL CAMPING USE UNDER NORMAL CONDITIONS. ALWAYS ENSURE ALL GUY ROPES ARE ANCHORED CORRECTLY. IT MAY BE NECESSARY TO RE-ADJUST GUY ROPES AND PEGS AT TIMES TO MAINTAIN THE STRUCTURAL INTEGRITY OF THE AWNING.
- TO AVOID CHANCES OF PERSONAL INJURY AND PROPERTY DAMAGE, WE HIGHLY RECOMMEND THE NOMADIC 270LTE AWNING SHOULD NOT BE ERECTED DURING WINDY CONDITIONS.
- \* IN WINDY CONDITIONS IT IS HIGHLY RECOMMENDED NOT TO ERECT THE AWNING AND WALLS AS PERSONAL INJURY AND OR PROPERTY DAMAGE MAY OCCUR.
- DO NOT CUT OR MODIFY THE AWNING OR MOUNTING ACCESSORIES.
- DO NOT EXCEED THE VEHICLE MANUFACTURER'S WEIGHT LIMITS.
- DO NOT USE DAMAGED OR EXCESSIVELY WORN PRODUCTS. CONTACT US IF YOU ARE UNSURE.
- KEEP ALL FLAMES AND HEAT SOURCES AWAY FROM THE FABRIC
- UNDER NO CIRCUMSTANCES SHOULD ANY NAKED FLAME SOURCES BE USED NEAR THE AWNING, KEEP FIRES AWAY FROM THE AWNING
- KEEP A LOOK OUT FOR ANY AIRBORNE BURNING EMBERS THAT MAY COME IN CONTACT WITH THE TENT. KEEP A FIRE EXTINGUISHER OR BUCKET OF WATER NEAR BY.
- DO NOT OPERATE ANY DEVICES WHICH BURN FUEL INSIDE THE AWNING WHILE THE WALLS ARE ATTACHED.
- KEEP EXITS CLEAR
- REMAIN CAUTIOUS WHEN GUIDE ROPES ARE IN USE
- KEEP AN EYE OUT FOR CHILDREN WHEN AWNING IS IN USE
- STOW AWAY AWNING BEFORE OPERATING VEHICLE



## DO YOU NEED OUR HELP?



CUSTOMER SUPPORT 833-226-4863



SALES@OVERLANDVEHICLESYSTEMS.COM

WANT TO SHOW US YOUR RIG?  
CHECK OUT OUR SOCIAL!

@overlandvehiclesystems

