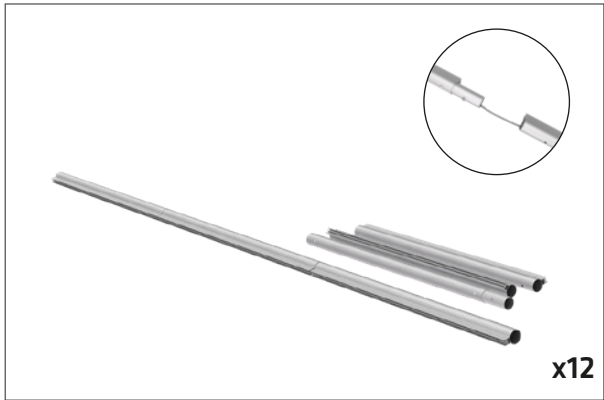


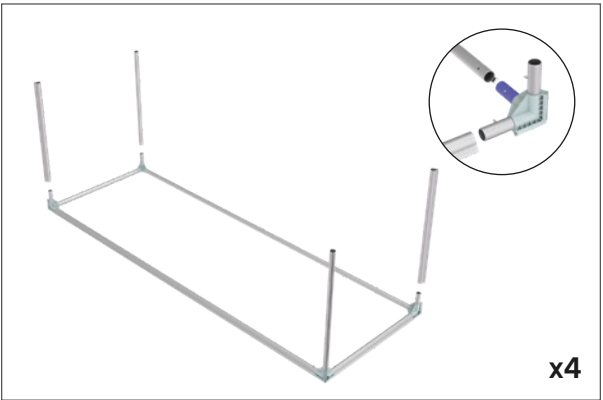
# Set Up Instructions

# CSNRT-100M

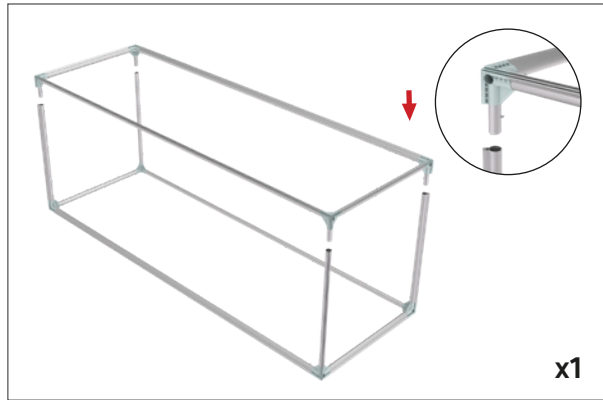
**Step 1:** Assemble all straight pipes with bungee cords by pushing and pulling together.



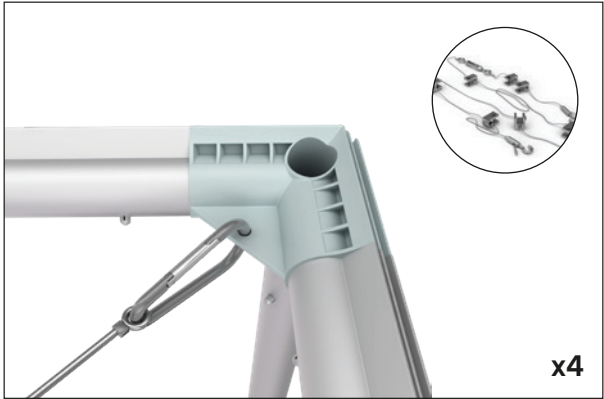
**Step 2: Build first side with connecting pipes.**  
Connect all corner sections to straight sections of the frame. Blue pipes represent the vertical pole position and should face top and bottom.



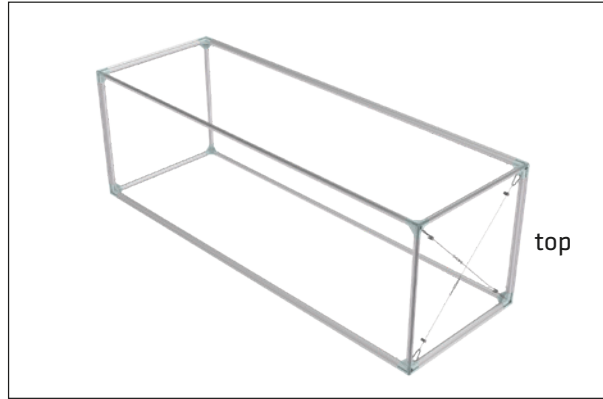
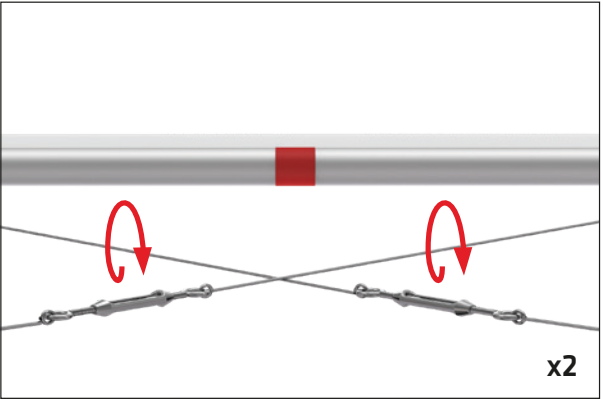
**Step 3: Build and attach second side.**  
Connect all corner sections to straight sections of the frame. Blue pipes represent the vertical pole position and should face top and bottom. Connect all frames together.



**Step 4:** At the top of the frame attach cable to left and right side. Complete task twice to form an X.



**Step 5:** Move to the center of cable and hand tighten turnbuckle to remove any remaining slack. Do not over tighten.

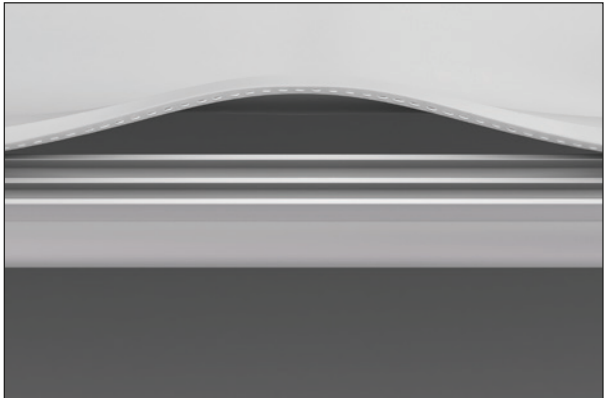
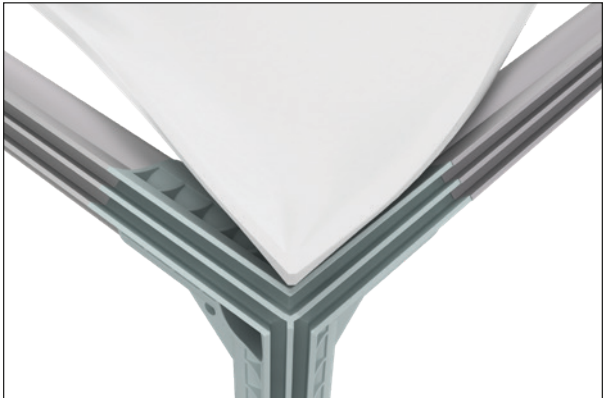
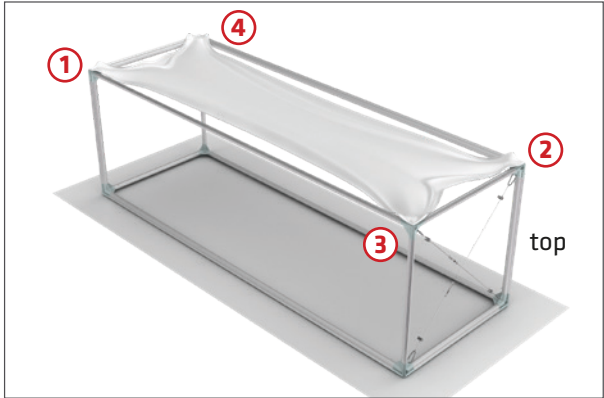


# Set Up Instructions

# CSNRT-100M

**Use drop cloth on ground to prevent graphics from getting dirty!**

Graphic Diagram



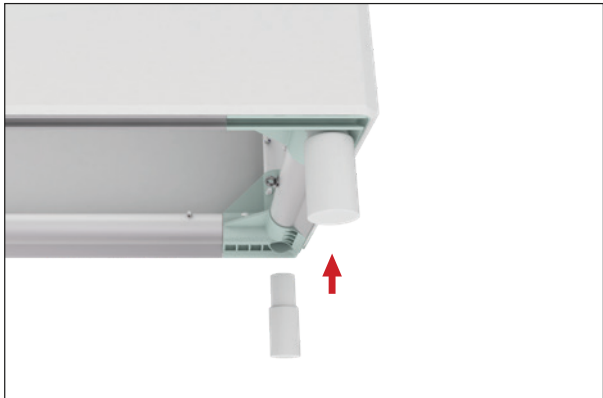
**Step 6:** Fold silicone edge graphics over an install into first corner of frame working outwards 4-6 inches. Repeat on remaining corners starting with the opposite corner. Follow the Graphic Diagram.

**Step 7:** Move to the center of each side of the frame to continue inserting the silicone edge graphics and work back toward the corners.

**Step 8:** Repeat Steps 6-7 until 3 sides are complete. Leave installation of fourth graphic until after the LED Light Arrays have been installed.

**Step 9:** Insert feet into 4 corners of the frame base.

**Step 10:** Lift tower into upright position with hanging cables for lights at the top.



# Set Up Instructions

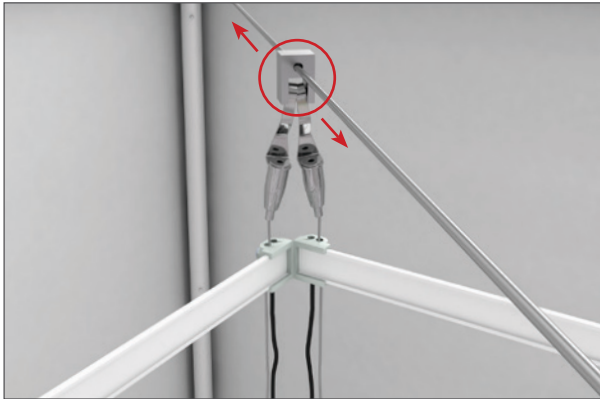
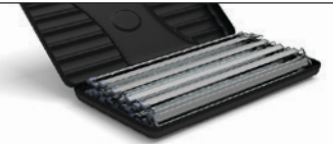
# CSNRT-100M

**This step will require a ladder or step stool.**

**Step 11:** Take out the LED Light Arrays and add to cable blocks with power connector at the bottom.

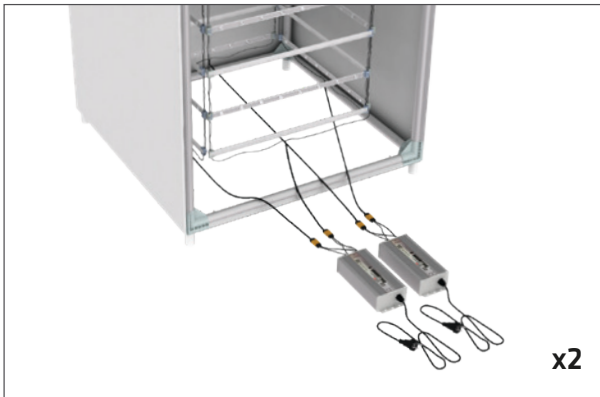
The cable blocks can be adjusted by pushing the **pin into the block** and sliding the block along the cable into desired position.

LED Light Arrays



**Step 14:** Plug power supplies into the bottom of LED Light Arrays. 2 LED Light Arrays per power supply.

**Step 15:** Move tower to final display position and place power supplies inside tower. Repeat Steps 6-7 to install final graphic with the tower in the upright position.



## CAUTION!

Do not connect lights to power when lights are rolled up. Hang lights on frame before connecting to power for testing.

