

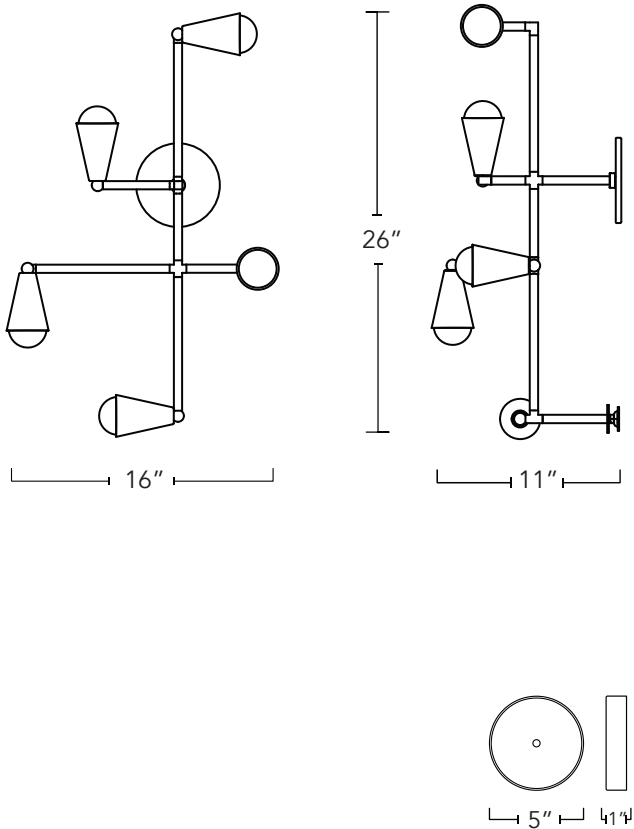


Pictured in Vintage Brass

**lightmaker**  
STUDIO

## ZIG ZAG SMALL

A light sculpture that functions equally well on wall or ceiling.



\*Alternative 5" diameter,  
1" deep back-plate available.

**Type** Wall Sconce

**Dimensions** Height: 26"  
Width: 16"  
Depth: 11"

**Weight** TBD

**Materials & Finish** Solid brass components with the exception of the polished nickel finish. Hand blown glass. Made by hand in Toronto, Canada

Finishes: Satin Brass, Blackened Brass and Polished Nickel.

**Illumination** Voltage: 120V  
Socket type: E12, Candelabra

Incandescent: G16.5 Globe in Matte White  
5 X 25W for a total of 100W  
5 X 180 lumens for a total of 900 lumens  
2700K Colour Temperature  
or  
LED (Recommended): G16 Globe in Soft White  
5 X 5W for a total of 25W  
5 X 350 lumens for a total of 1750 lumens  
2700K Colour Temperature / Dimmable

**Lead Time** 4 to 8 Weeks

**Certification** 