

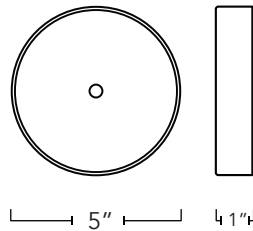
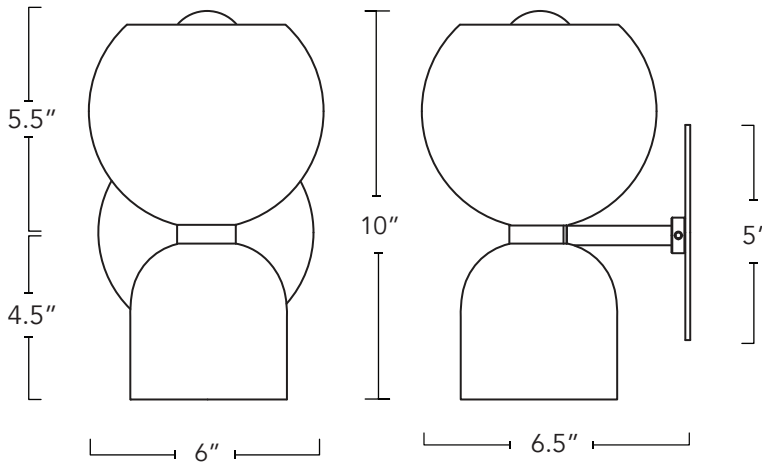


Pictured in Vintage Brass with Sandblasted Opal & Pink glass


SWEETIE SCENCE

With the intersection of pure shapes and bold color, Sweetie uses influences from early modernism. Bold proportions contrast with the subtlety of hand-blown sandblasted glass.

Made by hand in Kingston, Canada.



*Alternative 5" diameter,
1" deep back-plate available.

Type	Wall Sconce
Dimensions	Height: 10" Width: 6" Depth: 6.5"
Weight	3.5lb +/- 0.5lb 1.6 kg +/- 0.2 kg
Materials & Finish	Solid brass components and hand blown glass Finishes: Vintage Brass Blackened Brass Polished Nickel Satin Nickel Glass Colors: Sandblasted Opal and Pink
Certification	 Dry location Damp location option available
Illumination	Voltage: 120V 60HZ Socket type: E12, Candelabra BULBS INCLUDED Incandescent: G16.5 Globe in Gloss White 2 X 40W for a total of 80W 2 X 330 lumens for a total of 660 lumens 2700K Color Temperature / Dimmable or Various retrofit LED options available
Lead Time	2 to 6 Weeks