

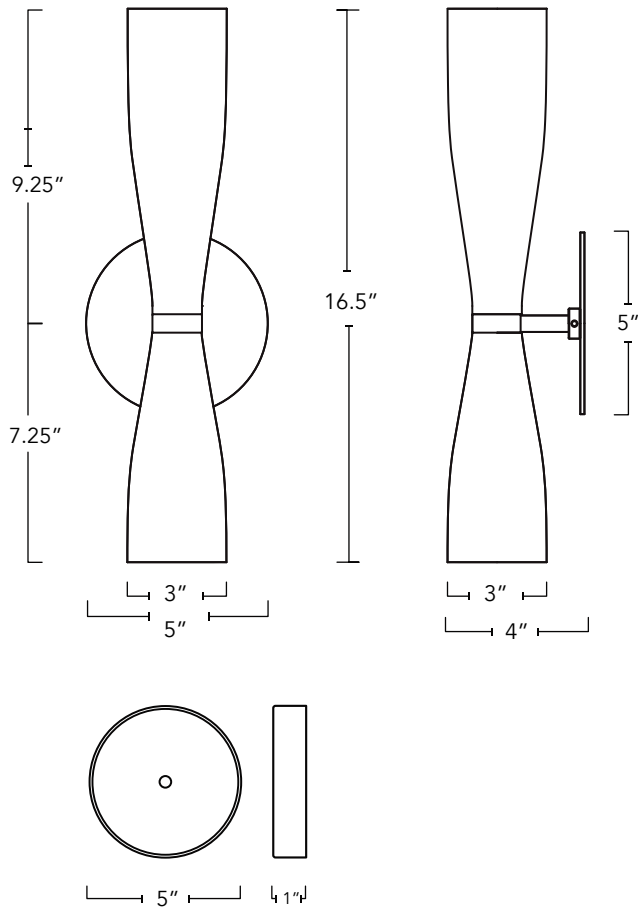
Pictured in Blackened Brass with Sandblasted Opal Glass


ETCETERA SCONCE

The Etcetera Sconce balances the sculptural with the streamlined.

Entirely hand-made in Canada, Etcetera uses a small palette of natural materials. Glass is hand-blown in Canada and solid brass parts are made and finished locally.

Glass options are hand-blown sandblasted or glossy Opal and sandblasted Grey glass. Metal finish choices include vintage or blackened brass, polished or satin nickel.



Type	Wall Sconce
Dimensions	Height: 16.5" Width: 5" Depth: 4"
Weight	3.5lb +/- 0.5lb 1.6 kg +/- 0.2 kg
Materials & Finish	Solid brass components and hand blown glass Finishes: Vintage Brass Blackened Brass Satin Nickel Polished Nickel Glass Colors: Glossy Opal Sandblasted Opal Sandblasted Grey
Certification	 Dry location Damp location option available
Illumination	Voltage: 120V 60HZ Socket type: E12, Candelabra LED BULBS INCLUDED
Lead Time	8 to 12 Weeks

Made by hand in Kingston, Canada.

*Alternative 5" diameter 1" deep back-plate available.

*Note: Depth increases by 1" to 5"