

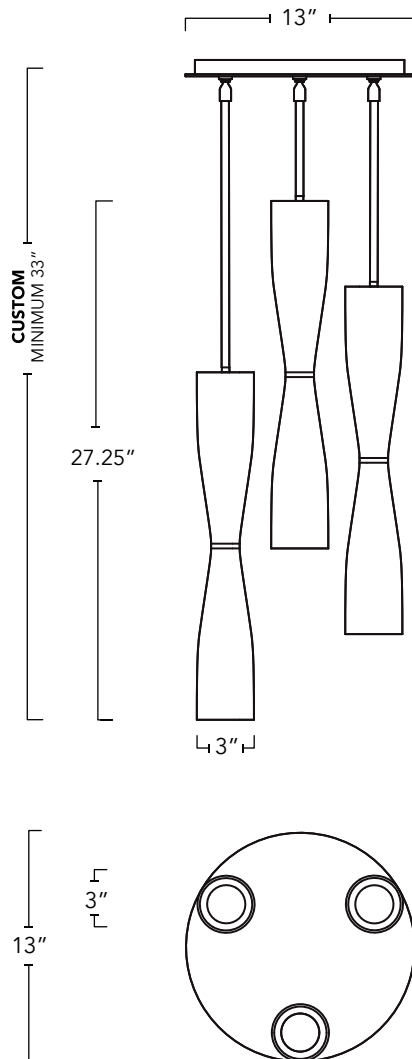
ETCETERA PENDANT GROUPING - GLASS

The Etcetera Pendant balances the sculptural with the streamlined.

With an organic feel, Etcetera uses design geometry to create pieces that are decidedly natural.

Groupings of three Pendants are available in Offset or Level configurations. Custom configurations are available.

Glass options are hand-blown sandblasted or glossy Opal. A combination of Opal with Black glass is also available. Metal choices include vintage or blackened brass, polished or satin nickel.



Type PENDANT


Dimensions Height: Custom to order
Minimum 33"
Diameter: 13"

Weight 13.5lb +/- 1.5lb | 6 kg +/- 0.6 kg

Materials & Finish Solid brass components and hand blown glass

Finishes: Blackened Brass
Vintage Brass
*Special Order Polished Nickel
Satin Nickel

Glass Colors: Sandblasted or Glossy Opal
Glossy Black & Opal
Sandblasted Black & Opal

Certification  Dry location
Damp location option available

Illumination Voltage: 120V 60HZ
Socket type: E12, Candelabra

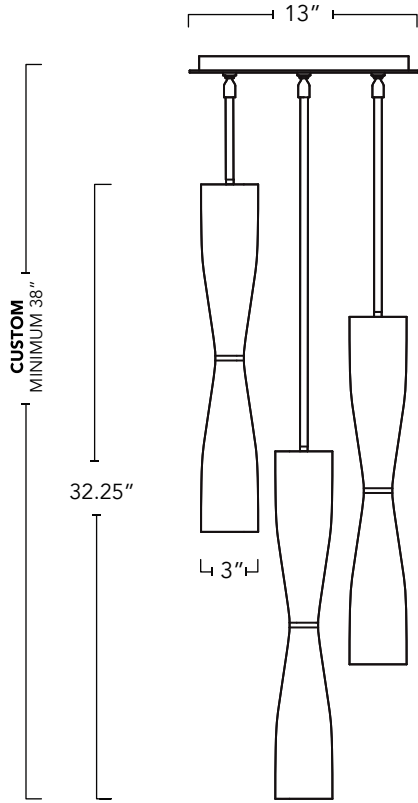
LED BULBS INCLUDED

Lead Time 8 to 12 Weeks

Note Overall height is custom-to-order

Made by hand in Kingston, Canada.

ETCETERA PENDANT OFFSET GROUPING - OPTION B



ETCETERA PENDANT LEVEL GROUPING - OPTION C

