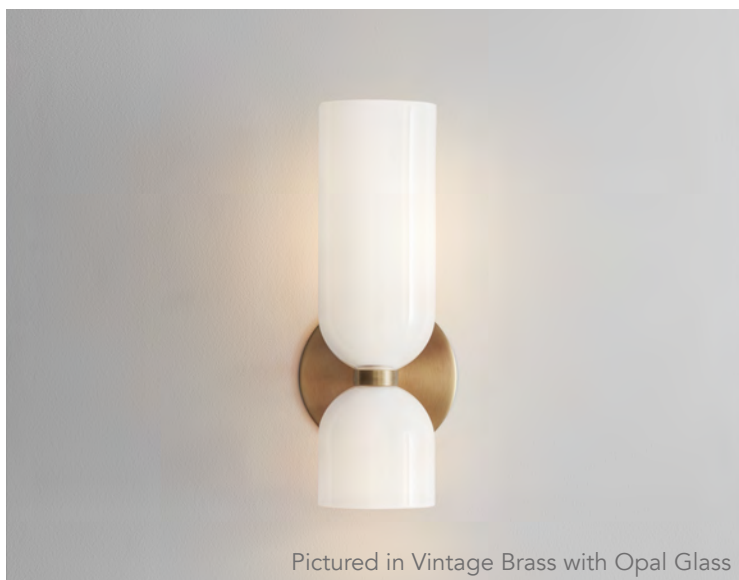


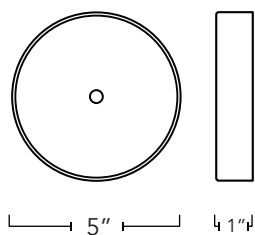
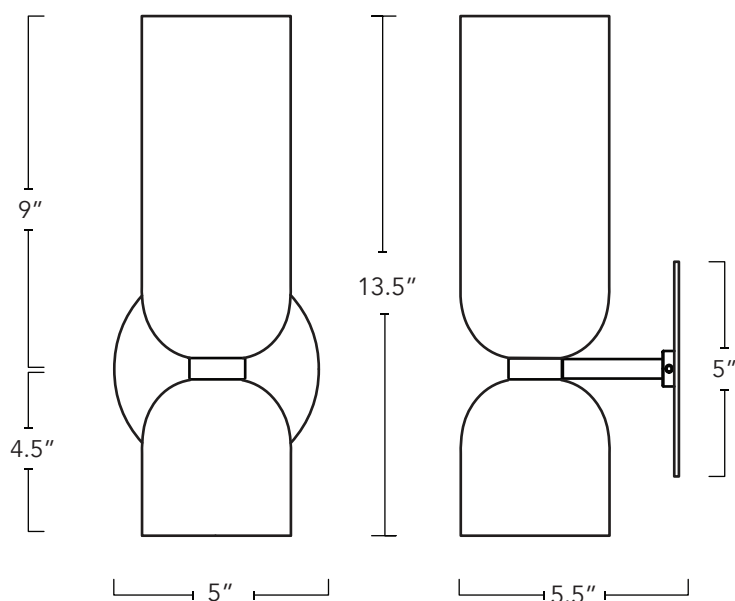
EDIE SCONCE

An exaggerated top column plays against the sconce's overall sense of quiet restraint. While Edie evokes a certain feeling of timelessness, it retains a fresh and modern presence.


Made by hand in Kingston, Canada.



Pictured in Vintage Brass with Opal Glass



*Alternative 5" diameter,
1" deep back-plate available.

Type	Wall Sconce
Dimensions	Height: 13.5" Width: 5" Depth: 5.5"
Weight	3.5lb +/- 0.5lb 1.6 kg +/- 0.2 kg
Materials & Finish	Solid brass components and hand blown glass Finishes: Vintage Brass Blackened Brass Polished Nickel Satin Nickel Glass Colors: Opal, Smoked Grey, Clear, Blue, Pink
Certification	 Dry location Damp location option available
Illumination	Voltage: 120V 60HZ Socket type: E12, Candelabra BULBS INCLUDED Incandescent: G16.5 Globe in Gloss White 2 X 40W for a total of 80W 2 X 330 lumens for a total of 660 lumens 2700K Color Temperature / Dimmable or Various retrofit LED options available
Lead Time	2 to 6 Weeks